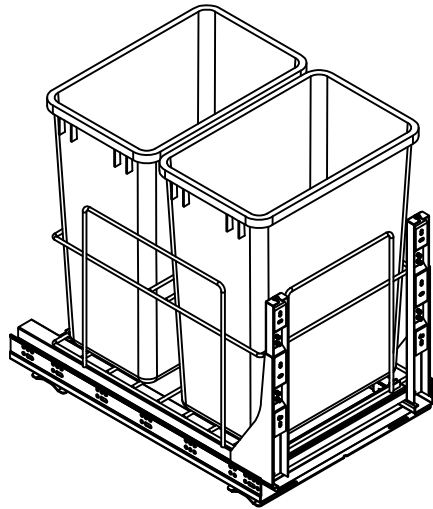
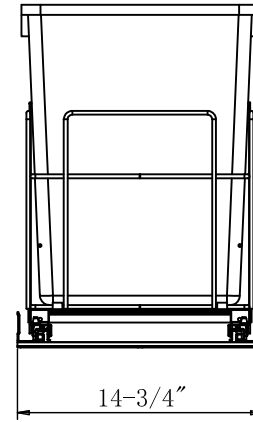
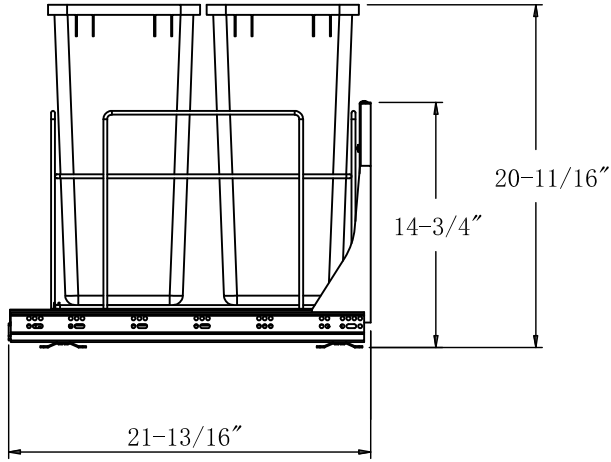


THE INFORMATION CONTAINED IN THIS DRAWING IS THE SOLE PROPERTY OF HARDWARE RESOURCES INC. ANY REPRODUCTION IN PART OR AS A WHOLE WITHOUT THE WRITTEN PERMISSION OF HARDWARE RESOURCES INC. IS PROHIBITED.



THIRD ANGLE PROJECTION		<i>hardware</i> <b>resources</b>			
MATERIAL	FINISH	TITLE			
PLASTIC +STEEL	GREY+PC	DOUBLE 35QT TRASHCAN PULLOUT			
DRAWN BY	DATE	DRAWING NUMBER		REV	
PETER WEN	20211215	WC-EMBM-D35G			
DESIGNED BY	DATE	SIZE	RELEASE LEVEL		
		A3	SCALE 1:1	SHEET	1 OF 1