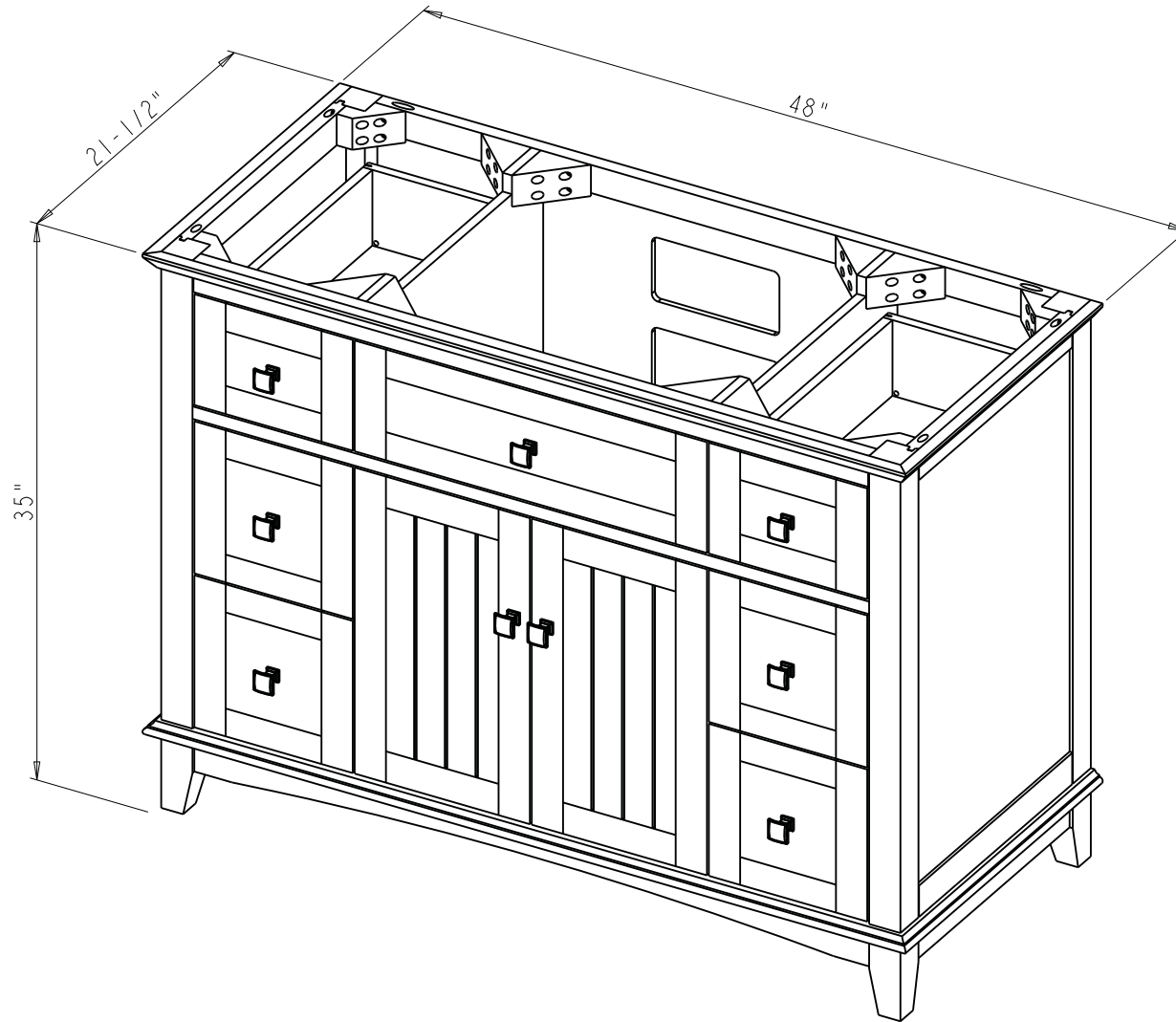



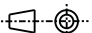
Specification:

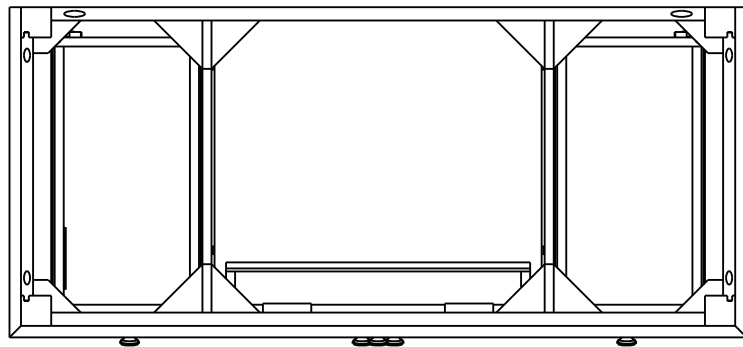
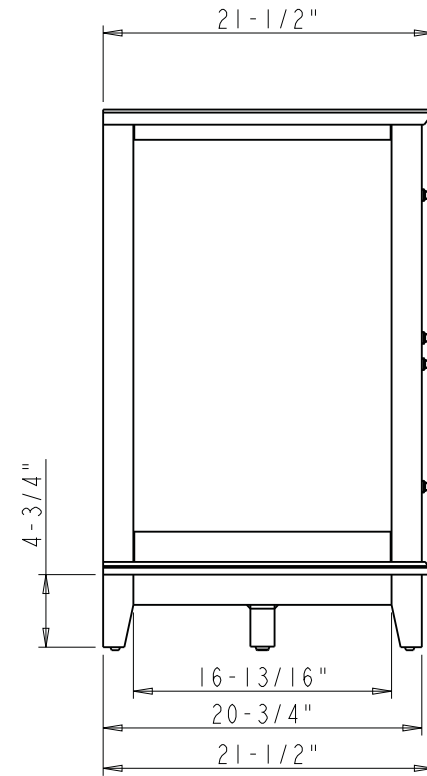
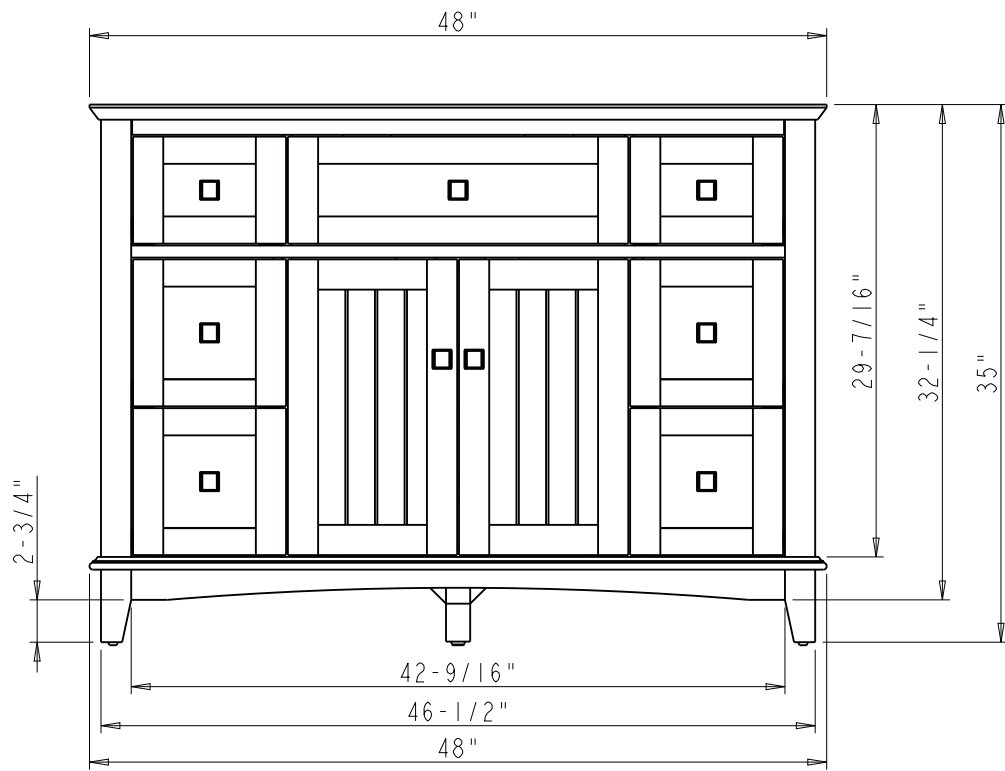
1. Finish: See Table
2. Hardware: See Table
3. Hinge: 700.0537.25+600.1234.05 (6 set)
4. Slide: USE58-300-18+USCLIP2ND-4W(7 set)
5. Shelf Supports: 1707BN (4 pcs)
6. Lid Stay (1 pcs)
7. The tolerance is +/- 1/8"

Item number	Finish	Deco Hardware	
		Item number	Qty
VN2SAV-48-GR-NT	Grey	435SN	9
VN2SAV-48-WH-NT	White	435MB	9

<p>hardware resources</p> <p>PROPRIETARY AND CONFIDENTIAL</p> <p>THE INFORMATION CONTAINED IN THIS DRAWING IS THE SOLE PROPERTY OF HARDWARE RESOURCES INC. ANY REPRODUCTION IN PART OR AS A WHOLE WITHOUT THE WRITTEN PERMISSION OF HARDWARE RESOURCES INC. IS PROHIBITED.</p> <p>DO NOT SCALE DRAWING</p>	ITEM:	VN2SAV-48		MATERIAL:	
	FINISH:			WEIGHT:	
				PROJECTION	9
TOLERANCE UNLESS OTHERWISE SPECIFIED:	UNITS:	DRAWN BY:	DATE:		
X ±0.20		Tony.Huang	Nov-22-21		
X.X ±0.10	SIZE:	APPROVED BY:	DATE:		
X.XX ±0.05	SHEET:	RELEASE LEVEL:	REVISION:		
ANGULAR: ±0.5°					



 <p>PROPRIETARY AND CONFIDENTIAL</p> <p>THE INFORMATION CONTAINED IN THIS DRAWING IS THE SOLE PROPERTY OF HARDWARE RESOURCES INC. ANY REPRODUCTION IN PART OR AS A WHOLE WITHOUT THE WRITTEN PERMISSION OF HARDWARE RESOURCES INC. IS PROHIBITED.</p> <p>DO NOT SCALE DRAWING</p>	ITEM#: VN2SAV - 48		MATERIAL:		
	FINISH:		WEIGHT: 9		
	TOLERANCE UNLESS OTHERWISE SPECIFIED: X ±0.20 X.X ±0.10 X.XX ±0.05 ANGULAR: ±0.5°		UNITS:	DRAWN BY: <i>Hugo.cai</i>	DATE: May-22-20
	SHEET:		APPROVED BY:	DATE:	REVISION:
		RELEASE LEVEL:	PROJECTION 		



<p>hardware resources</p> <p>PROPRIETARY AND CONFIDENTIAL</p> <p>THE INFORMATION CONTAINED IN THIS DRAWING IS THE SOLE PROPERTY OF HARDWARE RESOURCES INC. ANY REPRODUCTION IN PART OR AS A WHOLE WITHOUT THE WRITTEN PERMISSION OF HARDWARE RESOURCES INC. IS PROHIBITED.</p> <p>DO NOT SCALE DRAWING</p>	ITEM:	VN2SAV - 48		MATERIAL:
	FINISH:			WEIGHT:
	TOLERANCE UNLESS OTHERWISE SPECIFIED:	UNITS:	DRAWN BY:	DATE:
	SIZE:	APPROVED BY:	Hugo.cai	
ANGULAR: ±0.5°	RELEASE LEVEL:	Jun-10-19		
	REVISION:			