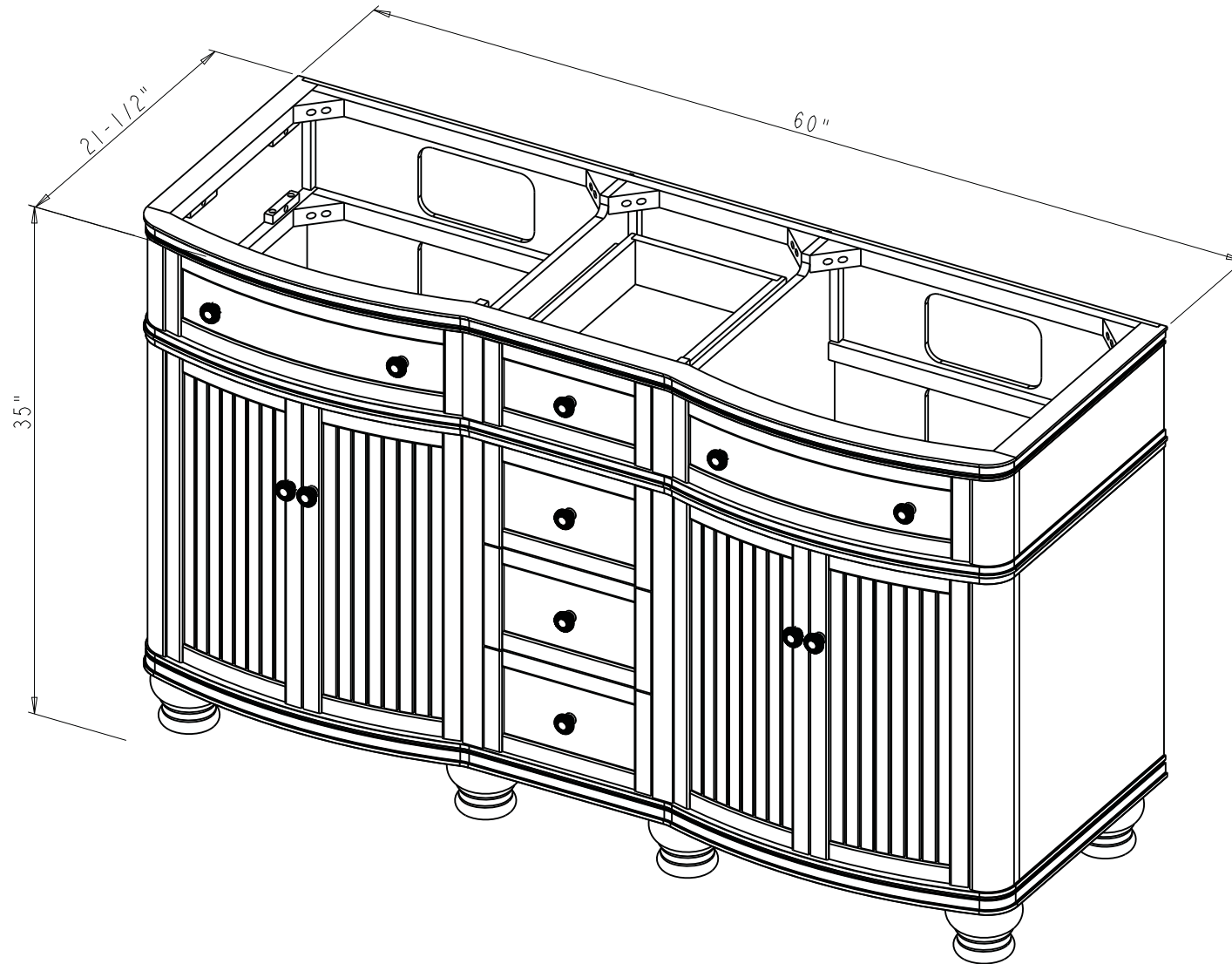



Specification:

1. Material: MDF
2. Finish: SEE TABLE
3. Hardware: SEE TABLE
4. Hinge: SEE TABLE
5. Slides: 303-300-16 (4 sets)
6. Shelf Supports (8 pcs)
7. Doormagnet (4 sets)
8. The tolerance is +/- 1/8"

Item number	Finish	Deco Hardware		Hinge		
		Item number	Qty	Item number	Finish	Qty
VN2COM-60-WA-NT	Walnut	I37ABM-D	12	Shutter Hinge	AB	8 pcs
VN2COM-60-WH-NT	White	I37SN	12	Shutter Hinge	BN	8 pcs

<p>hardware resources</p> <p><small>PROPRIETARY AND CONFIDENTIAL</small></p> <p><small>THE INFORMATION CONTAINED IN THIS DRAWING IS THE SOLE PROPERTY OF HARDWARE RESOURCES INC. ANY REPRODUCTION IN PART OR AS A WHOLE WITHOUT THE WRITTEN PERMISSION OF HARDWARE RESOURCES INC. IS PROHIBITED.</small></p> <p><small>DO NOT SCALE DRAWING</small></p>	ITEM#: VN2COM-60	MATERIAL:
	FINISH:	WEIGHT: 9
	PROJECTION	
	TOLERANCE UNLESS OTHERWISE SPECIFIED: X ±0.20 X.X ±0.10 X.XX ±0.05 ANGULAR: ±0.5°	UNITS: DRAWN BY: Hugo.cai
	APPROVED BY:	DATE:
	RELEASE LEVEL:	REVISION:

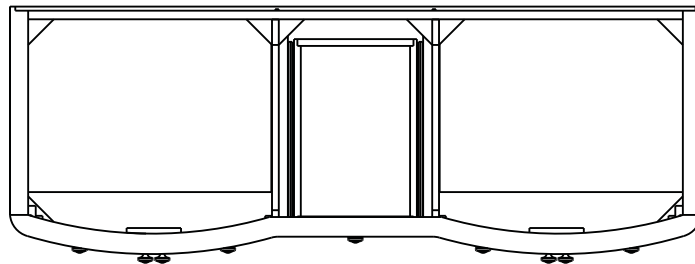
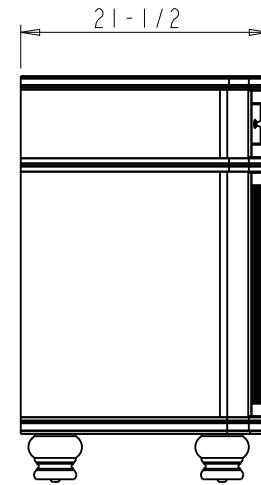
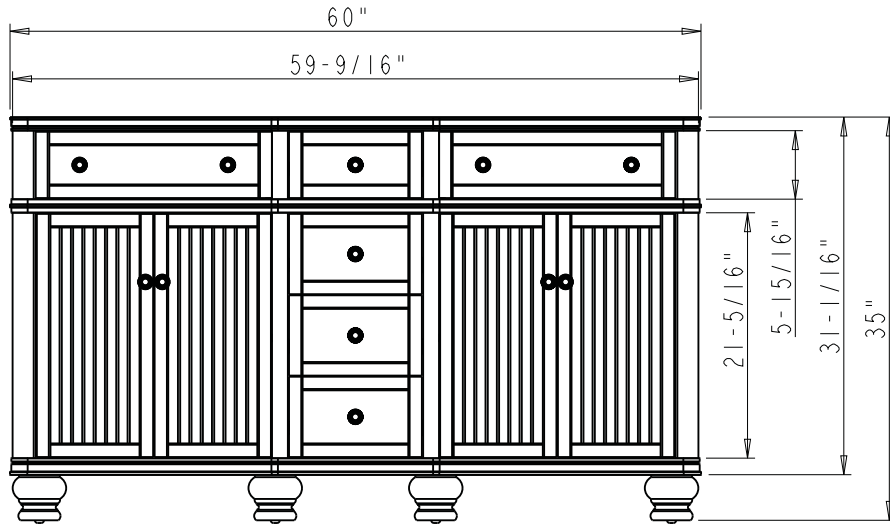



 <p>PROPRIETARY AND CONFIDENTIAL</p> <p>THE INFORMATION CONTAINED IN THIS DRAWING IS THE SOLE PROPERTY OF HARDWARE RESOURCES INC. ANY REPRODUCTION IN PART OR AS A WHOLE WITHOUT THE WRITTEN PERMISSION OF HARDWARE RESOURCES INC. IS PROHIBITED.</p> <p>DO NOT SCALE DRAWING</p>	ITEM:	VN2COM-60	MATERIAL:	
	FINISH:		WEIGHT:	9
	TOLERANCE UNLESS OTHERWISE SPECIFIED:	UNITS:	DRAWN BY:	DATE:
	SIZE:	APPROVED BY:	DATE:	
ANGULAR: ±0.5°	SHEET:	RELEASE LEVEL:	REVISION:	

TOLERANCE UNLESS OTHERWISE SPECIFIED:
 X ±0.20
 X.X ±0.10
 X.XX ±0.05
 ANGULAR: ±0.5°

DRAWN BY: *Hugo.cai*
 DATE: Aug-07-20





 <p>PROPRIETARY AND CONFIDENTIAL</p> <p>THE INFORMATION CONTAINED IN THIS DRAWING IS THE SOLE PROPERTY OF HARDWARE RESOURCES INC. ANY REPRODUCTION IN PART OR AS A WHOLE WITHOUT THE WRITTEN PERMISSION OF HARDWARE RESOURCES INC. IS PROHIBITED.</p>	ITEM:	VN2COM-60	MATERIAL:		
	FINISH:		WEIGHT:	9	
	TOLERANCE UNLESS OTHERWISE SPECIFIED: X ±0.20 X.X ±0.10 X.XX ±0.05 ANGULAR: ±0.5°	UNITS:	DRAWN BY:	DATE:	
	DO NOT SCALE DRAWING	SIZE:	APPROVED BY:	DATE:	
	SHEET:	RELEASE LEVEL:	REVISION:		



Hugo.cai Aug-06-20