
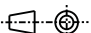
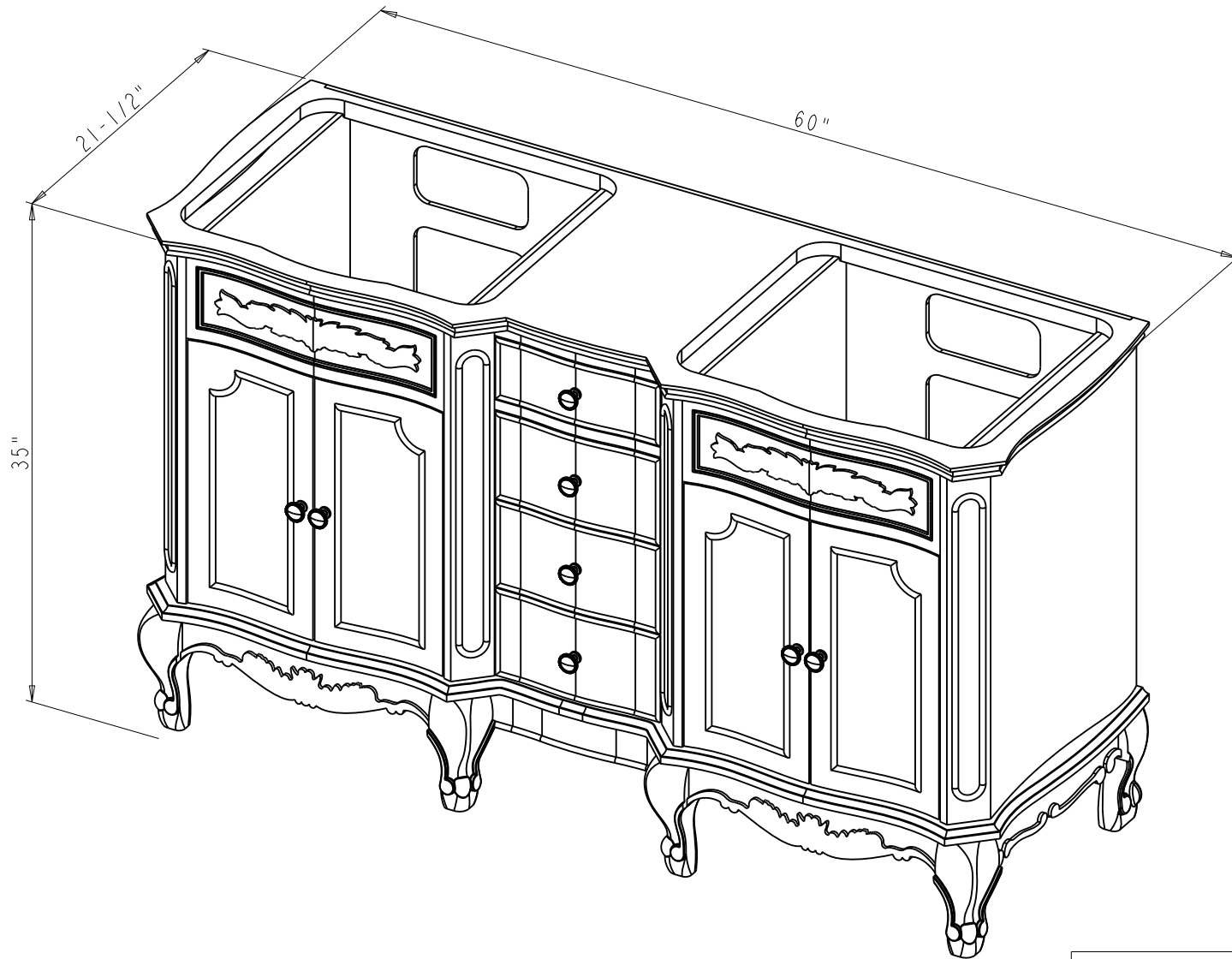



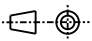
Specification:

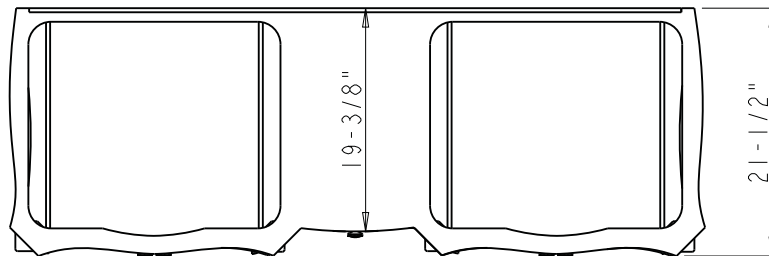
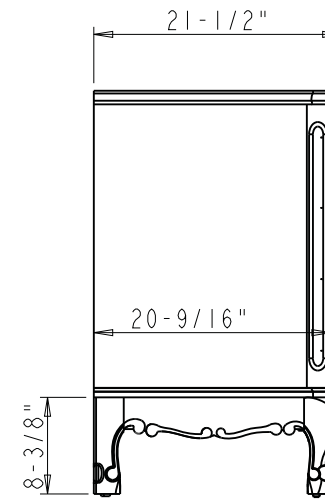
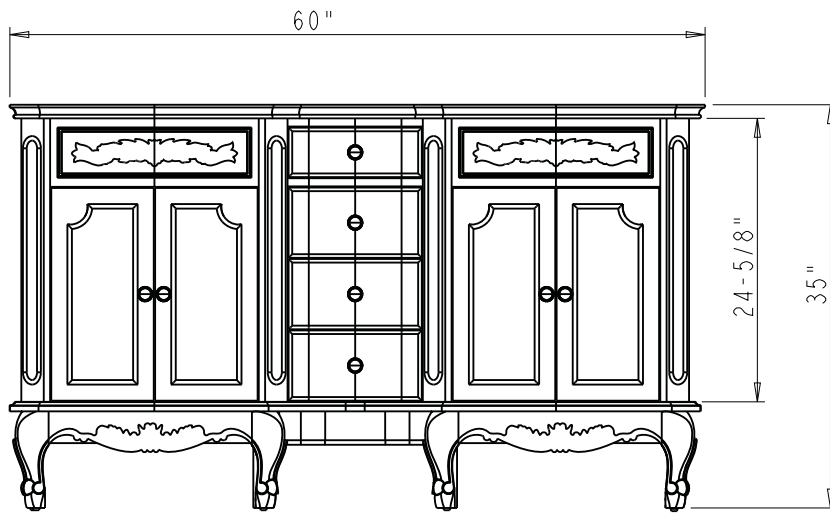
1. Material: MDF
2. Finish: SEE TABLE
3. Hardware: SEE TABLE
4. Hinge: Shutter Hinge (AB) (8 sets)
5. Slides: 303-300-16 (4 SET)
6. Doormagnet (4 sets)
7. The tolerance is +/- 1/8"


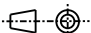
Item number	Finish	Deco Hardware	
		Item number	Qty
VN2CLA-60-NU-NT	Nutmeg	Z115DBAC	8

 PROPRIETARY AND CONFIDENTIAL THE INFORMATION CONTAINED IN THIS DRAWING IS THE SOLE PROPERTY OF HARDWARE RESOURCES INC. ANY REPRODUCTION IN PART OR AS A WHOLE WITHOUT THE WRITTEN PERMISSION OF HARDWARE RESOURCES INC. IS PROHIBITED.	ITEM#: VN2CLA-60	MATERIAL:
	FINISH:	WEIGHT: 9
	PROJECTION 	
	TOLERANCE UNLESS OTHERWISE SPECIFIED: X ±0.20 X.X ±0.10 X.XX ±0.05 ANGULAR: ±0.5° DO NOT SCALE DRAWING	UNITS: DRAWN BY: Hugo.cai APPROVED BY: SHEET: RELEASE LEVEL:



 <p>PROPRIETARY AND CONFIDENTIAL</p> <p>THE INFORMATION CONTAINED IN THIS DRAWING IS THE SOLE PROPERTY OF HARDWARE RESOURCES INC. ANY REPRODUCTION IN PART OR AS A WHOLE WITHOUT THE WRITTEN PERMISSION OF HARDWARE RESOURCES INC. IS PROHIBITED.</p> <p>DO NOT SCALE DRAWING</p>	ITEM:	VN2CLA-60		MATERIAL:	
	FINISH:			WEIGHT:	9
	<p>PROJECTION</p> 			UNITS:	DATE:
	<p>TOLERANCE UNLESS OTHERWISE SPECIFIED:</p> <p>X ±0.20</p> <p>X.X ±0.10</p> <p>X.XX ±0.05</p> <p>ANGULAR: ±0.5°</p>			DRAWN BY:	DATE:
			APPROVED BY:	Hugo.cai	Jul-07-20
			SHEET:	RELEASE LEVEL:	REVISION:



 PROPRIETARY AND CONFIDENTIAL THE INFORMATION CONTAINED IN THIS DRAWING IS THE SOLE PROPERTY OF HARDWARE RESOURCES INC. ANY REPRODUCTION IN PART OR AS A WHOLE WITHOUT THE WRITTEN PERMISSION OF HARDWARE RESOURCES INC. IS PROHIBITED.	ITEM:	VN2CLA-60		MATERIAL:
	FINISH:			WEIGHT:
	TOLERANCE UNLESS OTHERWISE SPECIFIED:			PROJECTION 
	UNITS:	DRAWN BY:	DATE:	
SIZE:	APPROVED BY:	Hugo.cai	Jul-13-20	
ANGULAR: ±0.5°	RELEASE LEVEL:	REVISION:		
DO NOT SCALE DRAWING	SHEET:			