
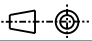
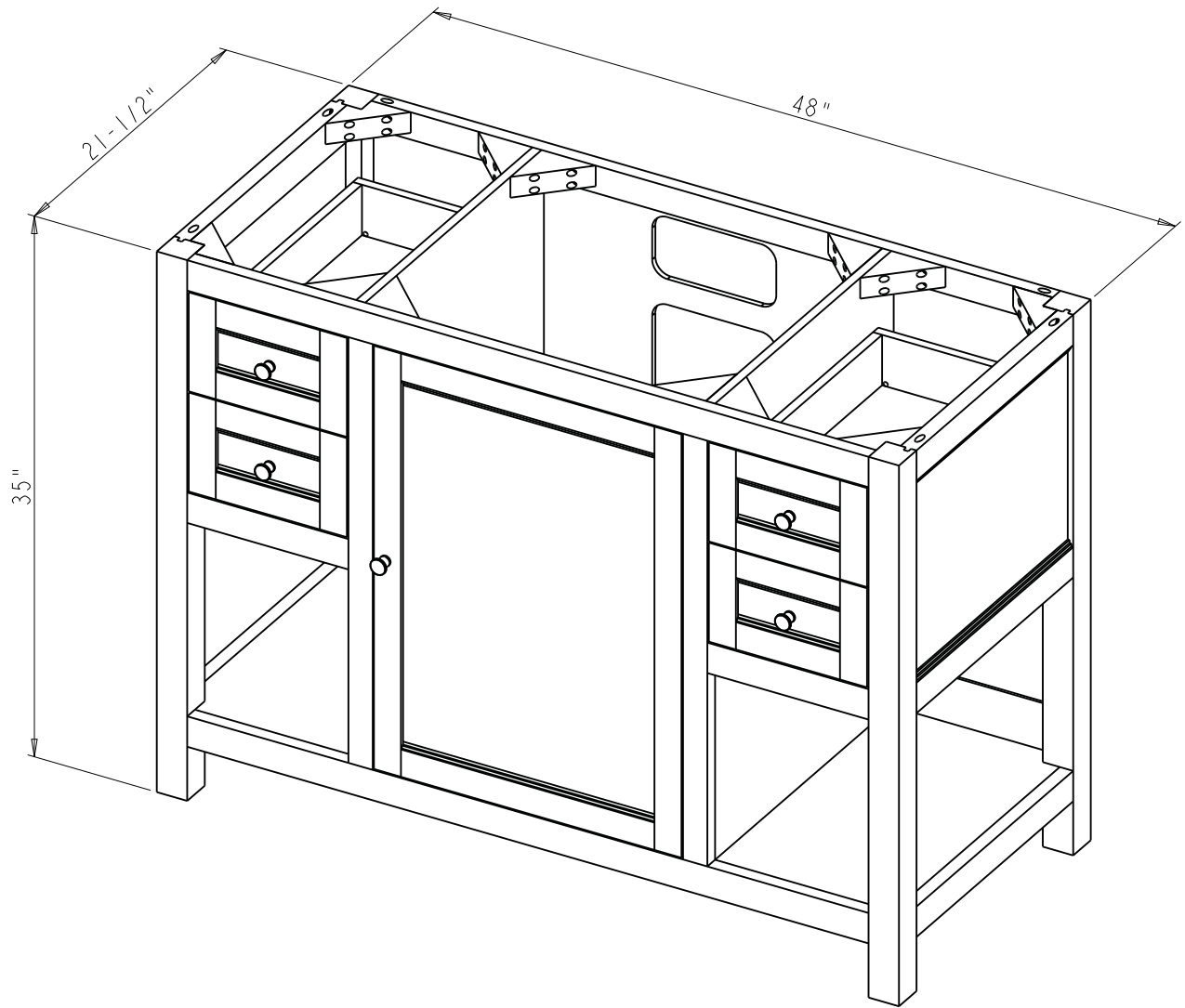


Specification:

1. Material: PLY wood and Birch
2. Finish: See Table
3. Hardware: See Table
4. Shelf Supports: 1707BN ( 4 PCS )
5. Hinge: 700.0537.25 + 600.1234.05 ( 2 Set )
6. Slide: USE58-300-18 + USCLIP2ND-4W ( 5 Set )
7. The tolerance is +/- 1/8"

Item number	Finish	Deco Hardware	
		Item number	Qty
VN2AST-48-WH-NT	White	3915-SN	5
VN2AST-48-ES-NT	Espresso	3915-SN	5
VN2AST-48-GR-NT	Grey	3915-SN	5

 <b>PROPRIETARY AND CONFIDENTIAL</b> THE INFORMATION CONTAINED IN THIS DRAWING IS THE SOLE PROPERTY OF HARDWARE RESOURCES INC. ANY REPRODUCTION IN PART OR AS A WHOLE WITHOUT THE WRITTEN PERMISSION OF HARDWARE RESOURCES INC. IS PROHIBITED. DO NOT SCALE DRAWING	ITEM#: VN2AST-48	MATERIAL:	
	FINISH:	WEIGHT: 9	
	TOLERANCE UNLESS OTHERWISE SPECIFIED: X ±0.20 X.X ±0.10 X.XX ±0.05 ANGULAR: ±0.5°	UNITS: DRAWN BY: <b>Tony.Huang</b> DATE: Nov-18-21	PROJECTION  DATE:
	APPROVED BY:	RELEASE LEVEL:	REVISION:



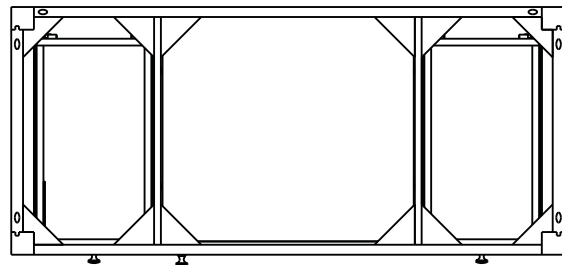
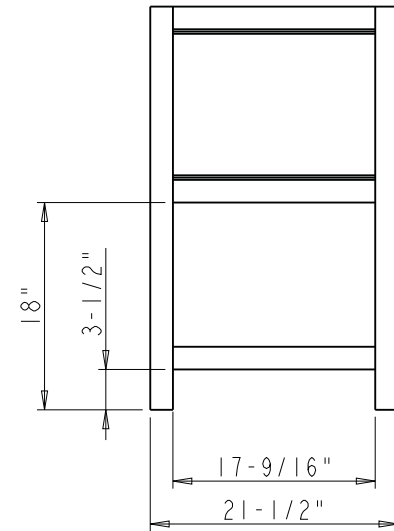
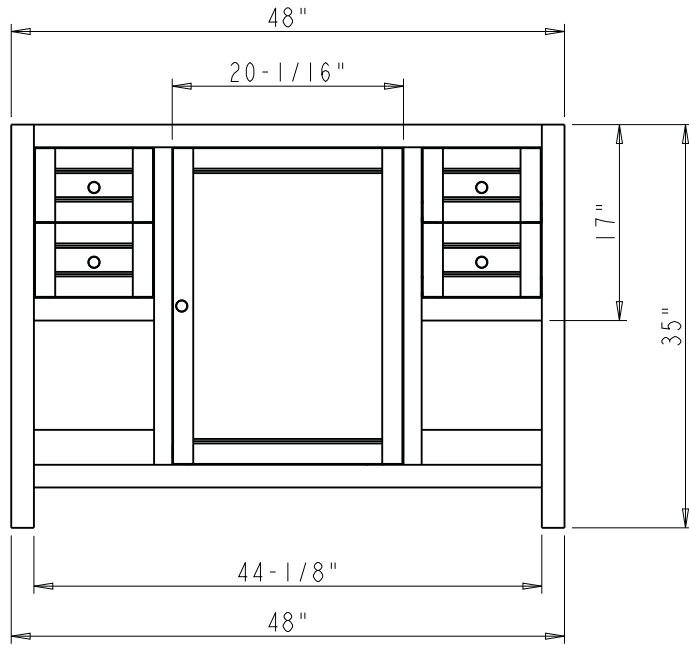
**hardware  
resources**

**PROPRIETARY AND CONFIDENTIAL**

THE INFORMATION CONTAINED  
IN THIS DRAWING IS THE SOLE  
PROPERTY OF HARDWARE  
RESOURCES INC.  
ANY REPRODUCTION IN PART OR  
AS A WHOLE WITHOUT THE  
WRITTEN PERMISSION OF  
HARDWARE RESOURCES INC. IS  
PROHIBITED.

ITEM#: VN2AST - 48		MATERIAL:	
FINISH:		WEIGHT: 9	
TOLERANCE UNLESS OTHERWISE SPECIFIED: X ±0.20 X.X ±0.10 X.XX ±0.05 ANGULAR: ±0.5°		UNITS:	DRAWN BY: <i>Hugo.cai</i>
DO NOT SCALE DRAWING		APPROVED BY:	DATE: May-06-20
		RELEASE LEVEL:	REVISION:





<p><b>hardware resources</b></p> <p>PROPRIETARY AND CONFIDENTIAL</p> <p>THE INFORMATION CONTAINED IN THIS DRAWING IS THE SOLE PROPERTY OF HARDWARE RESOURCES INC. ANY REPRODUCTION IN PART OR AS A WHOLE WITHOUT THE WRITTEN PERMISSION OF HARDWARE RESOURCES INC. IS PROHIBITED.</p> <p>DO NOT SCALE DRAWING</p>	ITEM:	VN2AST - 48		MATERIAL:
	FINISH:			WEIGHT:
				9
				PROJECTION
TOLERANCE UNLESS OTHERWISE SPECIFIED:		UNITS:	DRAWN BY:	DATE:
X ±0.20			<i>Hugo.cai</i>	May-04-20
X.X ±0.10		SIZE:	APPROVED BY:	DATE:
X.XX ±0.05				
ANGULAR: ±0.5°		SHEET:	RELEASE LEVEL:	REVISION: