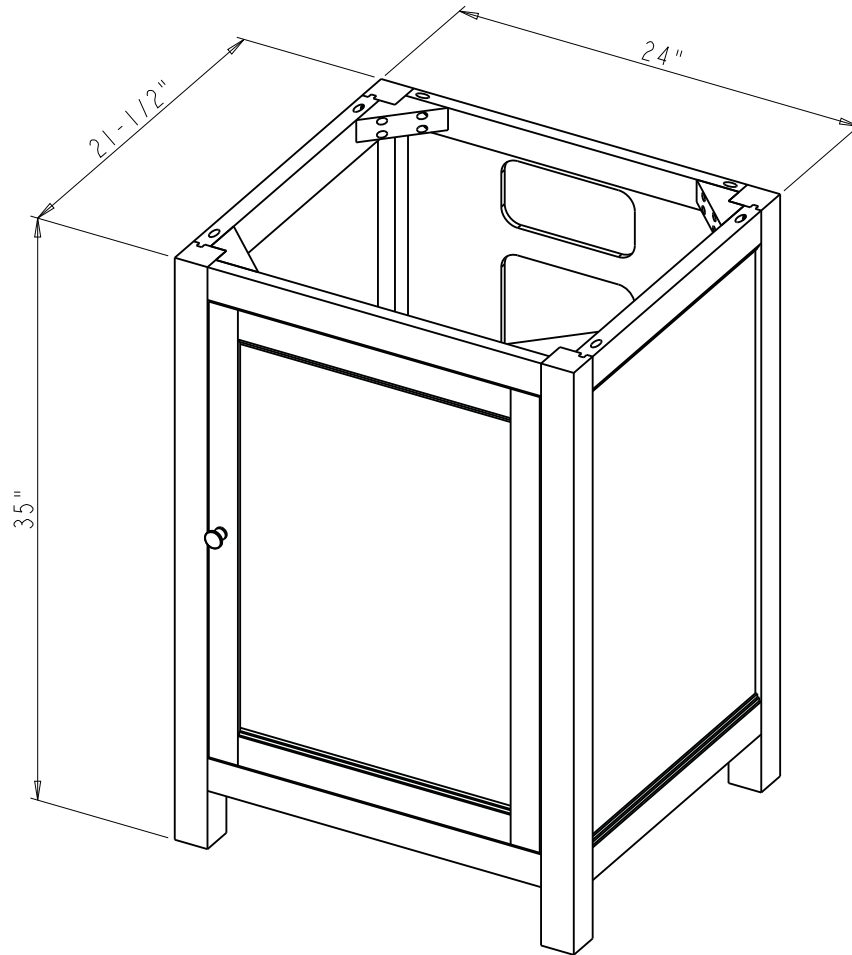



Specification:

1. Material: PLY wood and Birch
2. Finish: See Table
3. Hardware: See Table
4. Shelf Supports: 1707BN ( 4 PCS )
5. Hinge: 700.0537.25 + 600.1234.05 ( 2 Set )
6. Slide: USE58-300-18 + USCLIP2ND-4W ( 1 Set )
7. The tolerance is +/- 1/8"

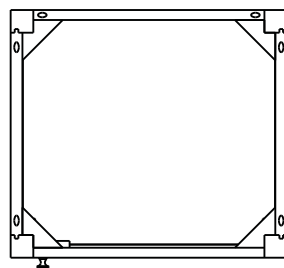
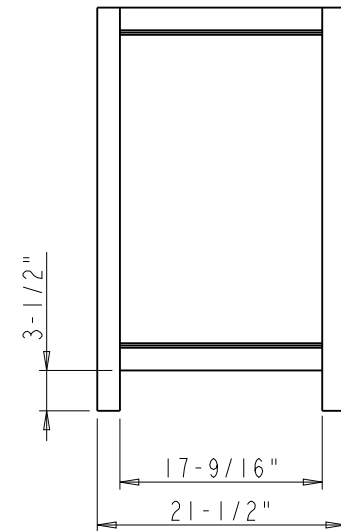
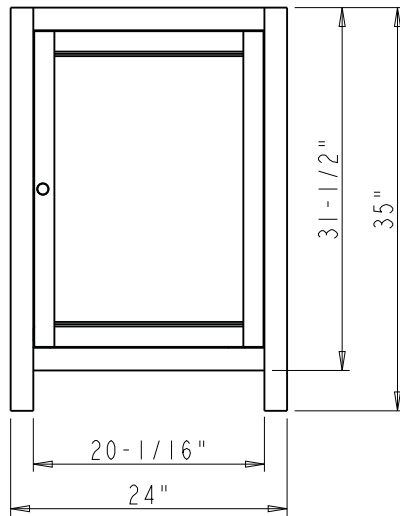
Item number	Finish	Deco Hardware	
		Item number	Qty
VN2AST-24-WH-NT	White	3915-SN	1
VN2AST-24-ES-NT	Espresso	3915-SN	1
VN2AST-24-GR-NT	Grey	3915-SN	1

<p><b>hardware resources</b></p> <p>PROPRIETARY AND CONFIDENTIAL</p> <p>THE INFORMATION CONTAINED IN THIS DRAWING IS THE SOLE PROPERTY OF HARDWARE RESOURCES INC. ANY REPRODUCTION IN PART OR AS A WHOLE WITHOUT THE WRITTEN PERMISSION OF HARDWARE RESOURCES INC. IS PROHIBITED.</p> <p>DO NOT SCALE DRAWING</p>	ITEM#: VN2AST-24	MATERIAL:
	FINISH:	WEIGHT: 9
	PROJECTION	
	TOLERANCE UNLESS OTHERWISE SPECIFIED: X ±0.20 X.X ±0.10 X.XX ±0.05 ANGULAR: ±0.5°	UNITS: DRAWN BY: <b>Tony.Huang</b>
SHEET:	APPROVED BY:	DATE:
RELEASE LEVEL:	REVISION:	



 <b>PROPRIETARY AND CONFIDENTIAL</b> THE INFORMATION CONTAINED IN THIS DRAWING IS THE SOLE PROPERTY OF HARDWARE RESOURCES INC. ANY REPRODUCTION IN PART OR AS A WHOLE WITHOUT THE WRITTEN PERMISSION OF HARDWARE RESOURCES INC. IS PROHIBITED.	ITEM#: VN2AST - 24		MATERIAL:		
	FINISH:		WEIGHT: 9		
	TOLERANCE UNLESS OTHERWISE SPECIFIED: X ±0.20 X.X ±0.10 X.XX ±0.05 ANGULAR: ±0.5° DO NOT SCALE DRAWING		UNITS:	DRAWN BY: <i>Hugo.cai</i>	DATE: May-06-20
	SIZE:	APPROVED BY:	RELEASE LEVEL:	REVISION:	





	ITEM#: VN2AST - 24		MATERIAL:	
	FINISH:		WEIGHT:	
<p><b>PROPRIETARY AND CONFIDENTIAL</b></p> <p>THE INFORMATION CONTAINED IN THIS DRAWING IS THE SOLE PROPERTY OF HARDWARE RESOURCES INC. ANY REPRODUCTION IN PART OR AS A WHOLE WITHOUT THE WRITTEN PERMISSION OF HARDWARE RESOURCES INC. IS PROHIBITED.</p> <p>DO NOT SCALE DRAWING</p>	UNITS:		DRAWN BY:	DATE:
	TOLERANCE UNLESS OTHERWISE SPECIFIED:		APPROVED BY:	
	SIZE:		RELEASE LEVEL:	
	ANGULAR: ±0.5°		REVISION:	
<p>PROJECTION</p>		<p>Hugo.cai</p> <p>May-04-20</p>		
<p>9</p>				