
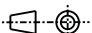
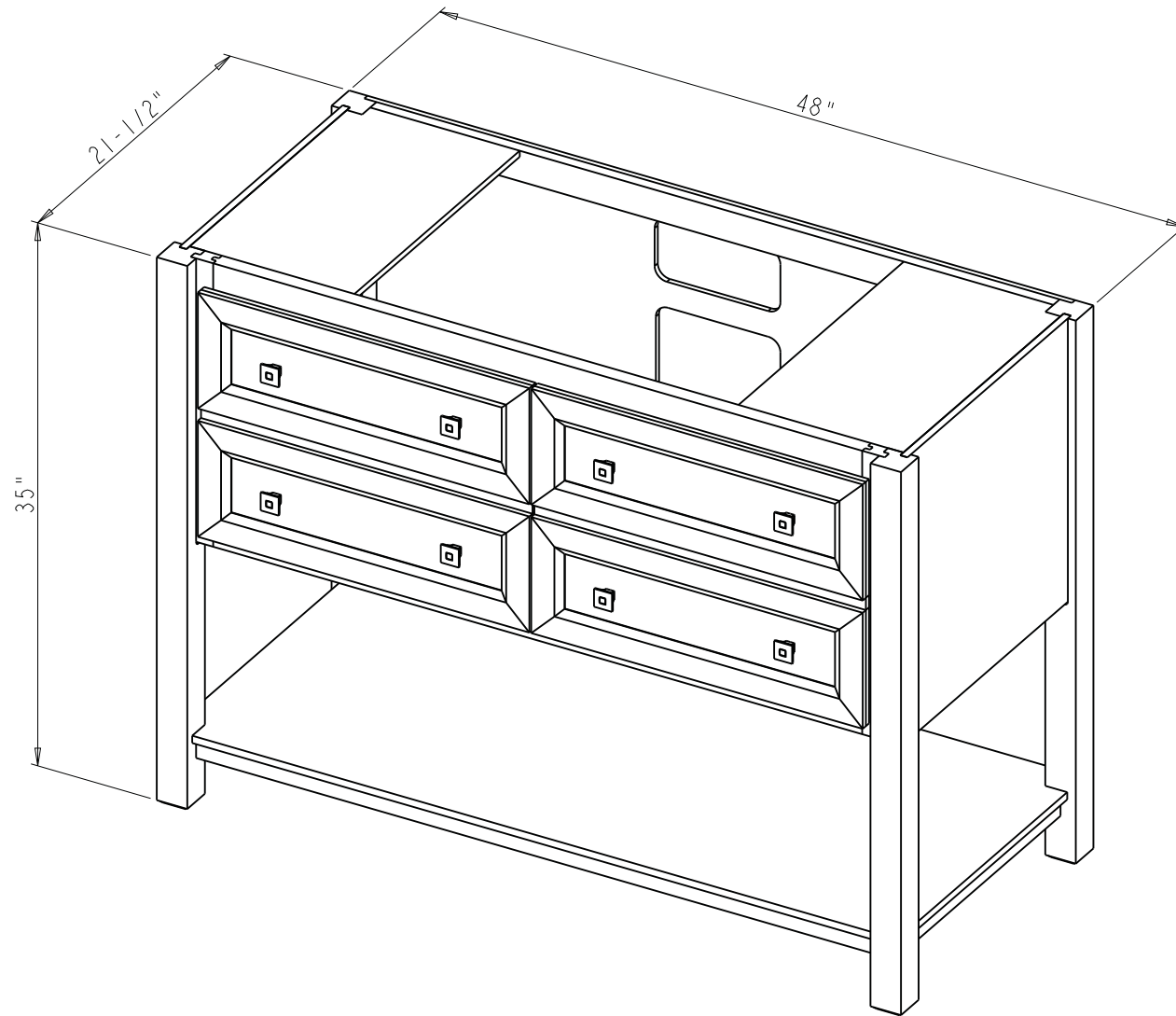



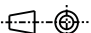
Specification:

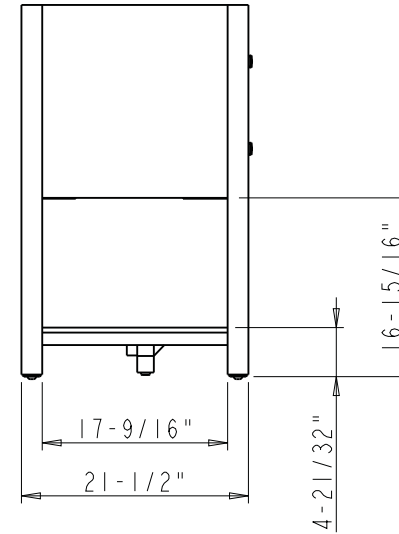
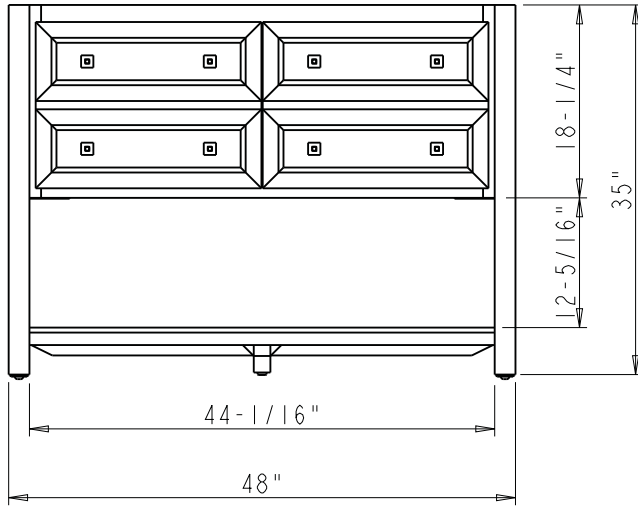
1. Material: MDF
2. Finish: See Table
3. Hardware: See Table
4. Hinge: 7390-2C ( 4 PCS )
5. The tolerance is +/- 1/8"

Item number	Finish	Deco Hardware	
		Item number	Qty
VN2ADL-48-BK-NT	Black	910SN	8
VN2ADL-48-BL-NT	Blue	944SBZ	8
VN2ADL-48-GR-NT	Grey	910SN	8
VN2ADL-48-WH-NT	White	910SN	8

 <b>PROPRIETARY AND CONFIDENTIAL</b> THE INFORMATION CONTAINED IN THIS DRAWING IS THE SOLE PROPERTY OF HARDWARE RESOURCES INC. ANY REPRODUCTION IN PART OR AS A WHOLE WITHOUT THE WRITTEN PERMISSION OF HARDWARE RESOURCES INC. IS PROHIBITED.	ITEM#: VN2ADL-48	MATERIAL:
	FINISH:	WEIGHT: 9
		PROJECTION 
	TOLERANCE UNLESS OTHERWISE SPECIFIED: X ±0.20 X.X ±0.10 X.XX ±0.05 ANGULAR: ±0.5° DO NOT SCALE DRAWING	UNITS: DRAWN BY: <i>Hugo.cai</i> APPROVED BY: RELEASE LEVEL:



	ITEM#: VN2ADL - 48		MATERIAL:		
	FINISH:		WEIGHT: 9		
	PROJECTION 				
<p><b>PROPRIETARY AND CONFIDENTIAL</b></p> <p>THE INFORMATION CONTAINED IN THIS DRAWING IS THE SOLE PROPERTY OF HARDWARE RESOURCES INC. ANY REPRODUCTION IN PART OR AS A WHOLE WITHOUT THE WRITTEN PERMISSION OF HARDWARE RESOURCES INC. IS PROHIBITED.</p>	TOLERANCE UNLESS OTHERWISE SPECIFIED: X ±0.20 X.X ±0.10 X.XX ±0.05 ANGULAR: ±0.5°	UNITS:	DRAWN BY: <i>Hugo.cai</i>	DATE: Mar - 12 - 20	
	DO NOT SCALE DRAWING	SIZE:	APPROVED BY:	DATE:	
		SHEET:	RELEASE LEVEL:	REVISION:	



<p><b>hardware resources</b></p> <p>PROPRIETARY AND CONFIDENTIAL</p> <p>THE INFORMATION CONTAINED IN THIS DRAWING IS THE SOLE PROPERTY OF HARDWARE RESOURCES INC. ANY REPRODUCTION IN PART OR AS A WHOLE WITHOUT THE WRITTEN PERMISSION OF HARDWARE RESOURCES INC. IS PROHIBITED.</p> <p>DO NOT SCALE DRAWING</p>	ITEM#: VN2ADL - 48		MATERIAL:		
	FINISH:		WEIGHT:		
	TOLERANCE UNLESS OTHERWISE SPECIFIED: X ±0.20 X.X ±0.10 X.XX ±0.05 ANGULAR: ±0.5°		UNITS:	DRAWN BY: <i>Hugo.cai</i>	DATE: Mar - 12 - 20
	SIZE:		APPROVED BY:	DATE:	
SHEET:		RELEASE LEVEL:	REVISION:	9	