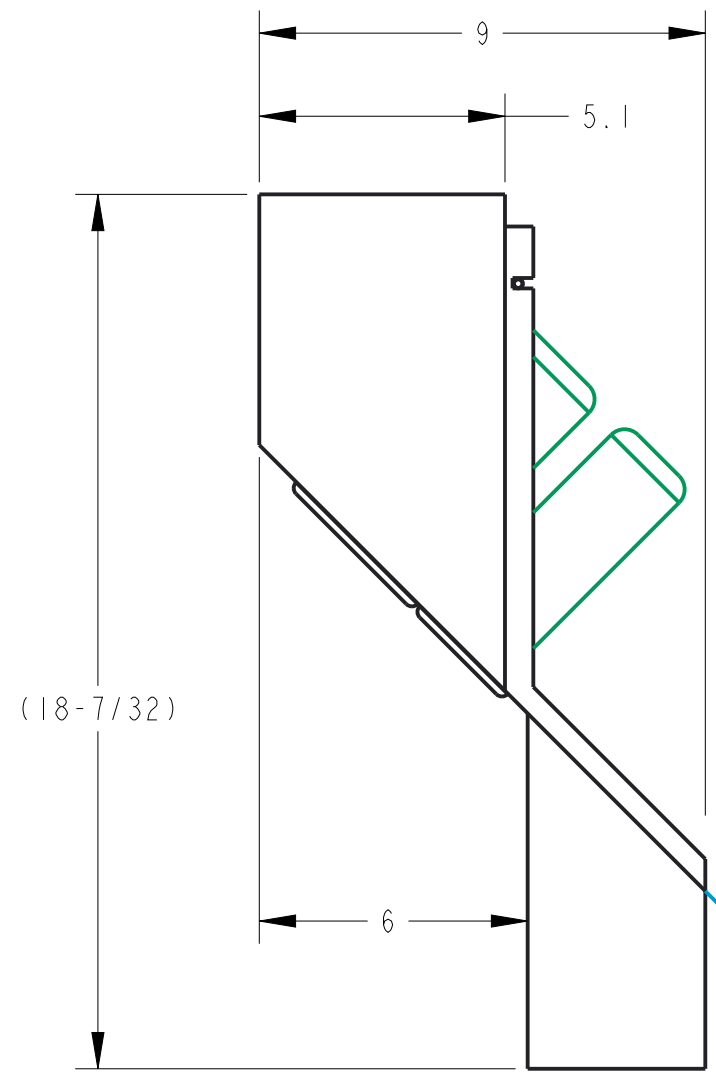
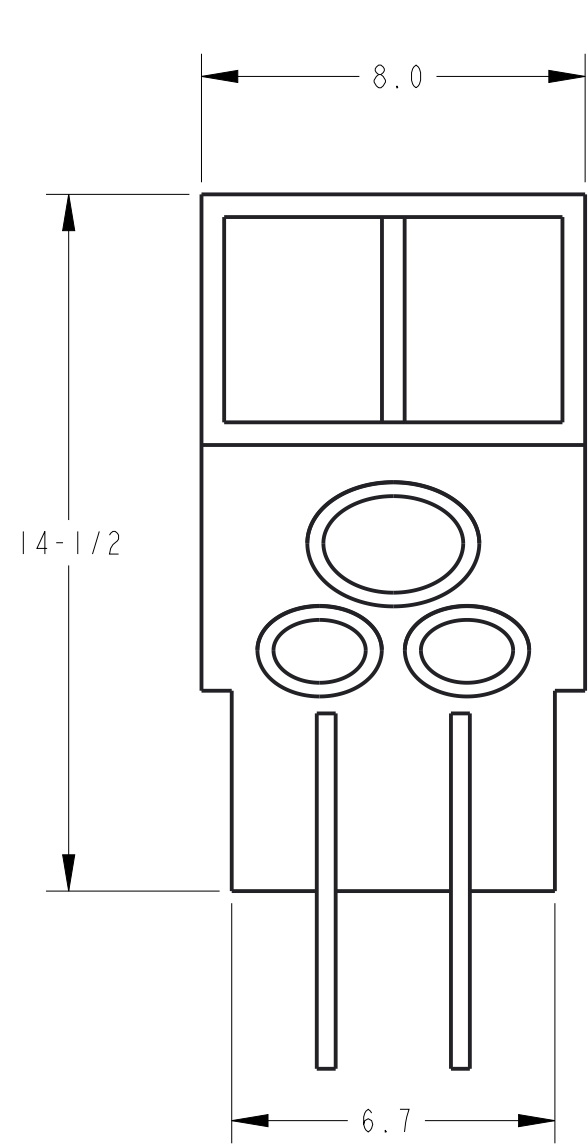


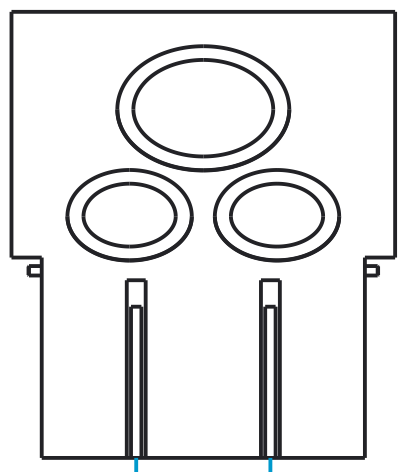
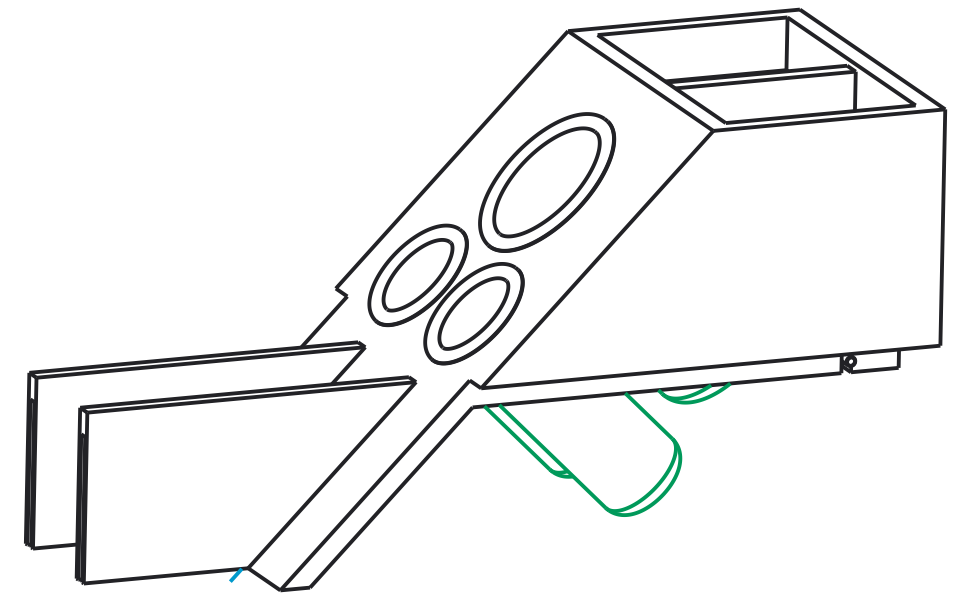
8 7 6 5 4 3 2 1

F
E
D
C
B
A


F
E
D
C
B
A



GROOMING MODULE SHOWN



DOCUMENT STATUS Released

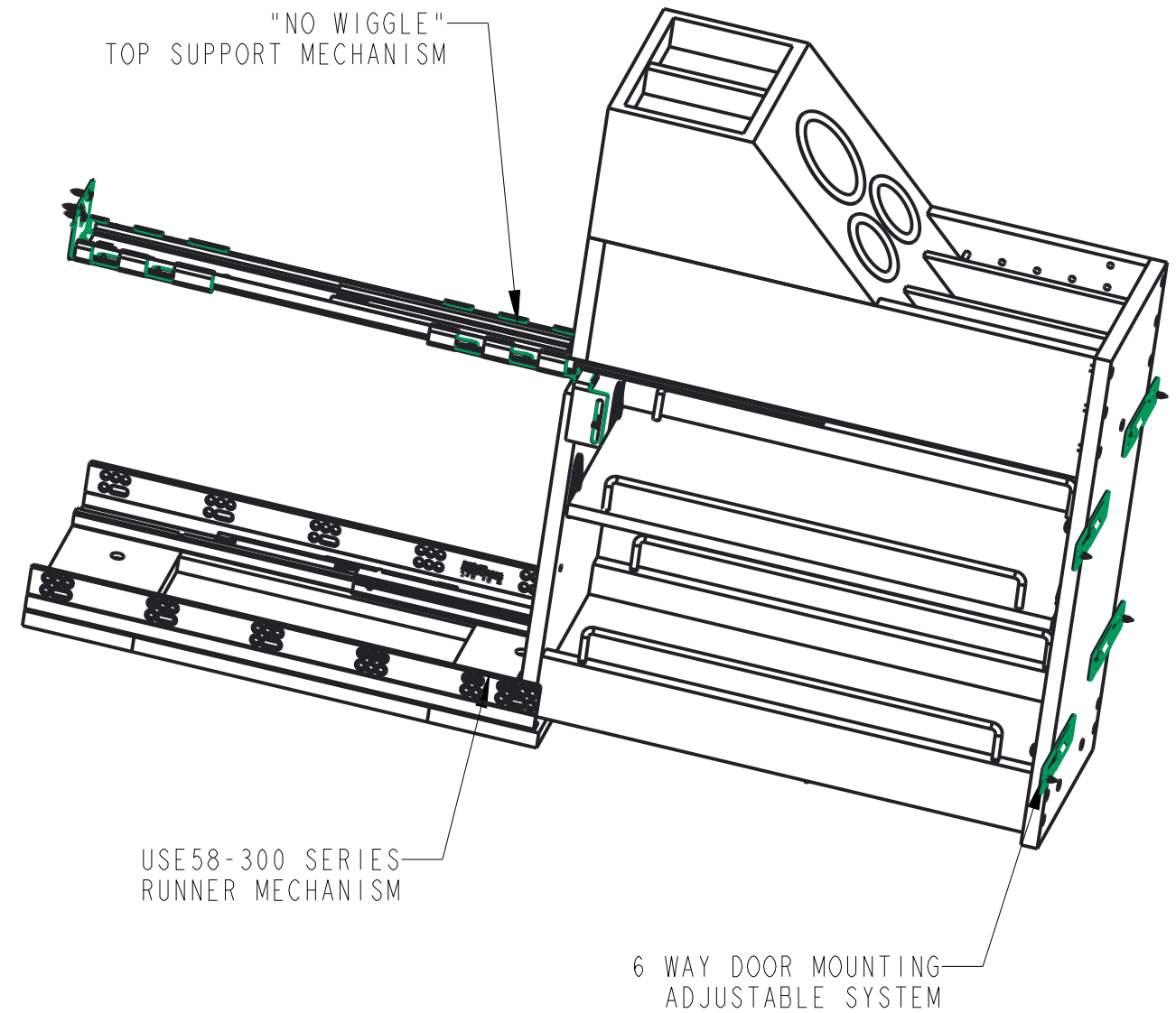
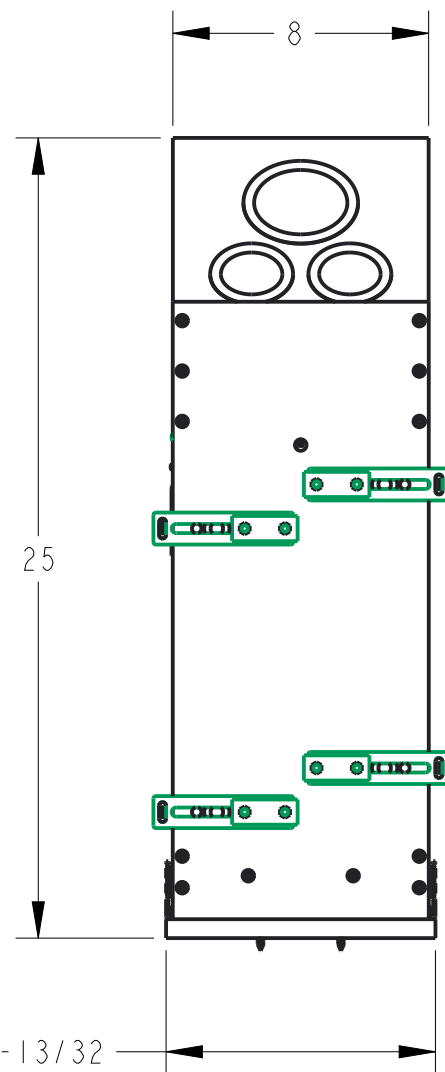
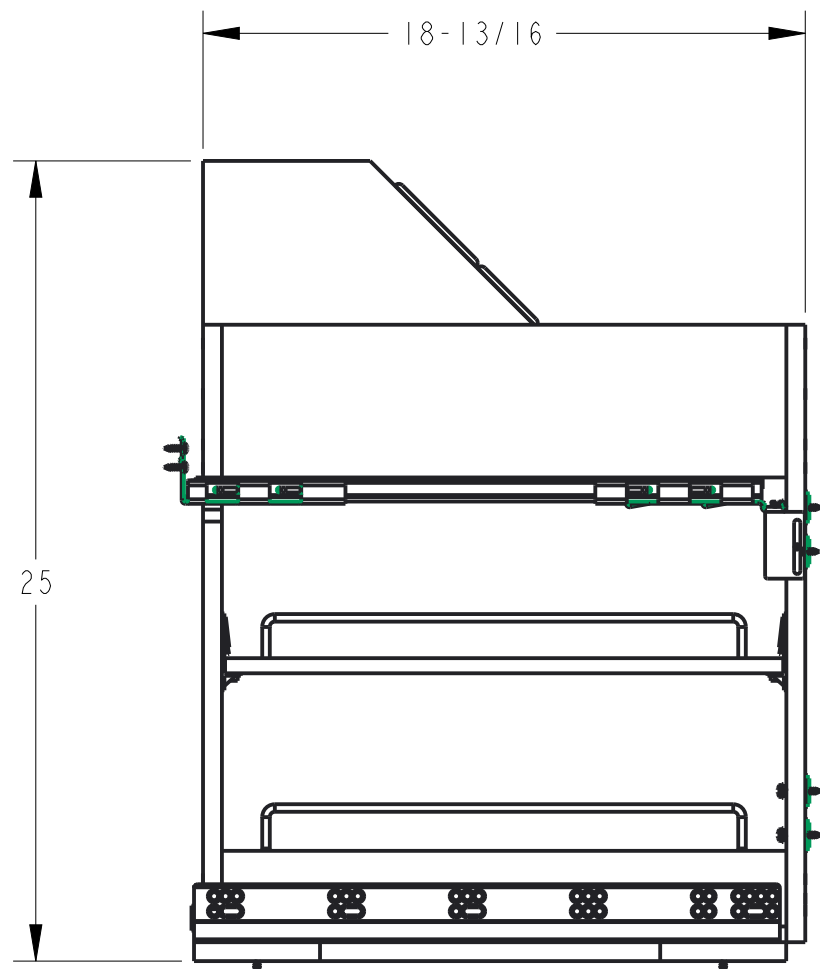
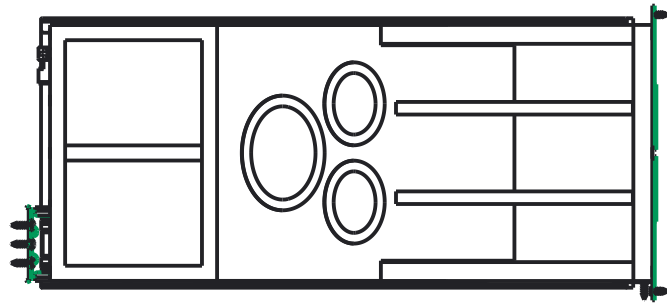
THIRD ANGLE PROJECTION				
MATERIAL	FINISH			
N/A	N/A	DESCRIPTION		
DRAWN BY		VANITY ORGANIZER SYSTEM, GROOMING MODULE		
A.CHEN	DATE	DRAWING NUMBER		REV
DESIGNED BY	15MAR17	VBPO-G01		A
A.CHEN	DATE	SIZE	SCALE	SHEET
APPROVED BY	15MAR17	A3	1:4	1 / 2
R.LAIRD	DATE			
	05JUN17			

HARDWARE RESOURCES RESERVES THE RIGHT TO CHANGE SPECIFICATIONS WITHOUT NOTICE.
IN CASE OF A DISCREPANCY, ACTUAL PART GEOMETRY SUPERSEDES THIS DOCUMENT.

THE INFORMATION CONTAINED WITHIN THIS DRAWING IS THE SOLE PROPERTY OF HARDWARE RESOURCES INC. ANY REPRODUCTION IN PART OR WHOLE WITHOUT WRITTEN PERMISSION OF HARDWARE RESOURCES INC. IS PROHIBITED.

8 7 6 5 4 3 2 1

GROOMING MODULE (VBPO-G01)
 INSTALLED ON TOP OF
 VANITY BASE PULLOUT MODULE
 (VBPO8-SC, SOLD SEPARATELY)



DRAWING NUMBER		REV
VBPO-G01		A
SIZE	SCALE	SHEET
A3	1:12	2 / 2
DOCUMENT STATUS		Released