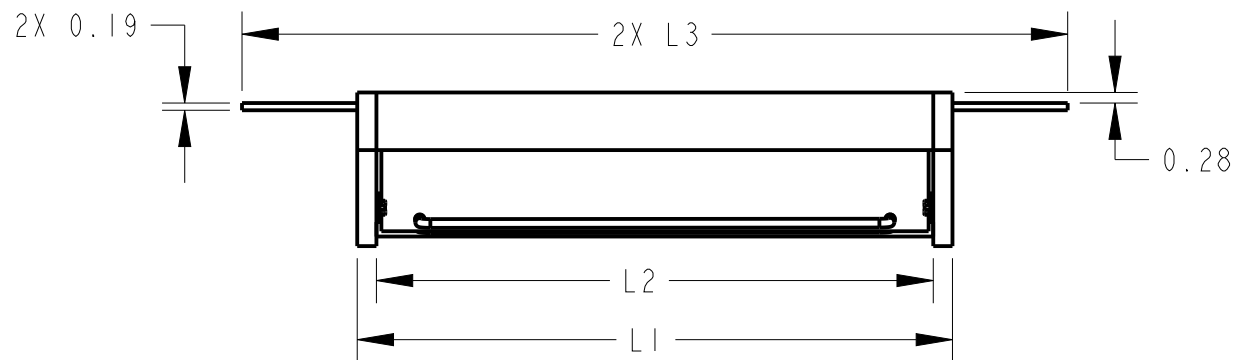
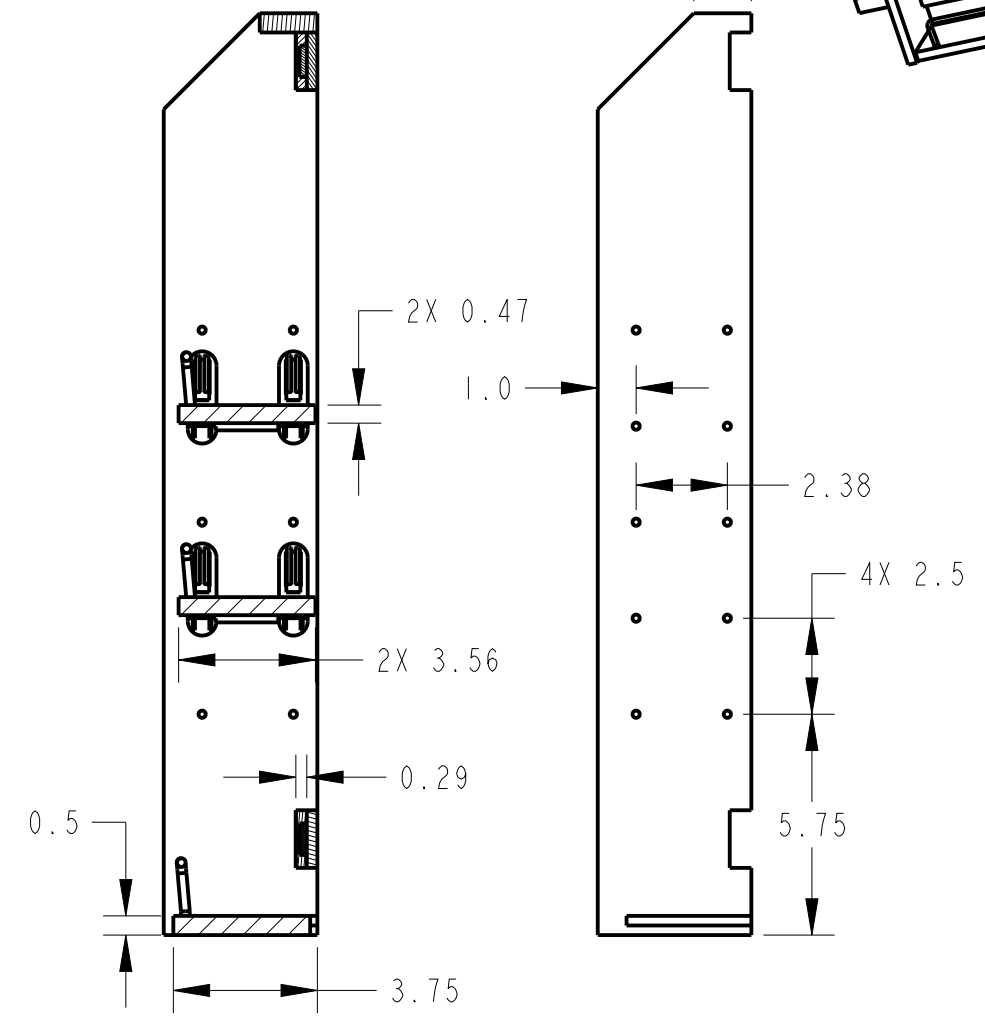
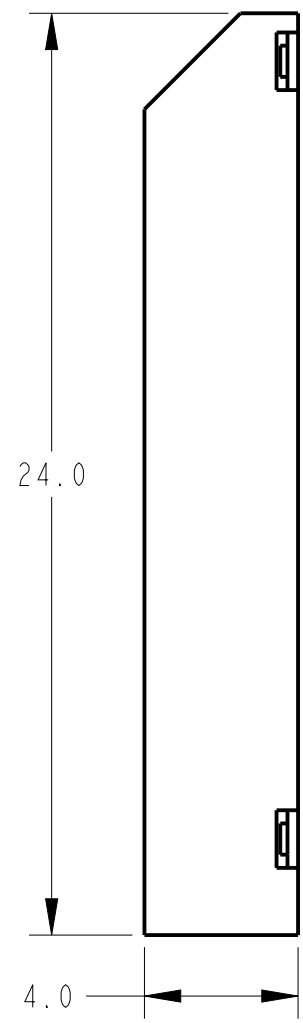
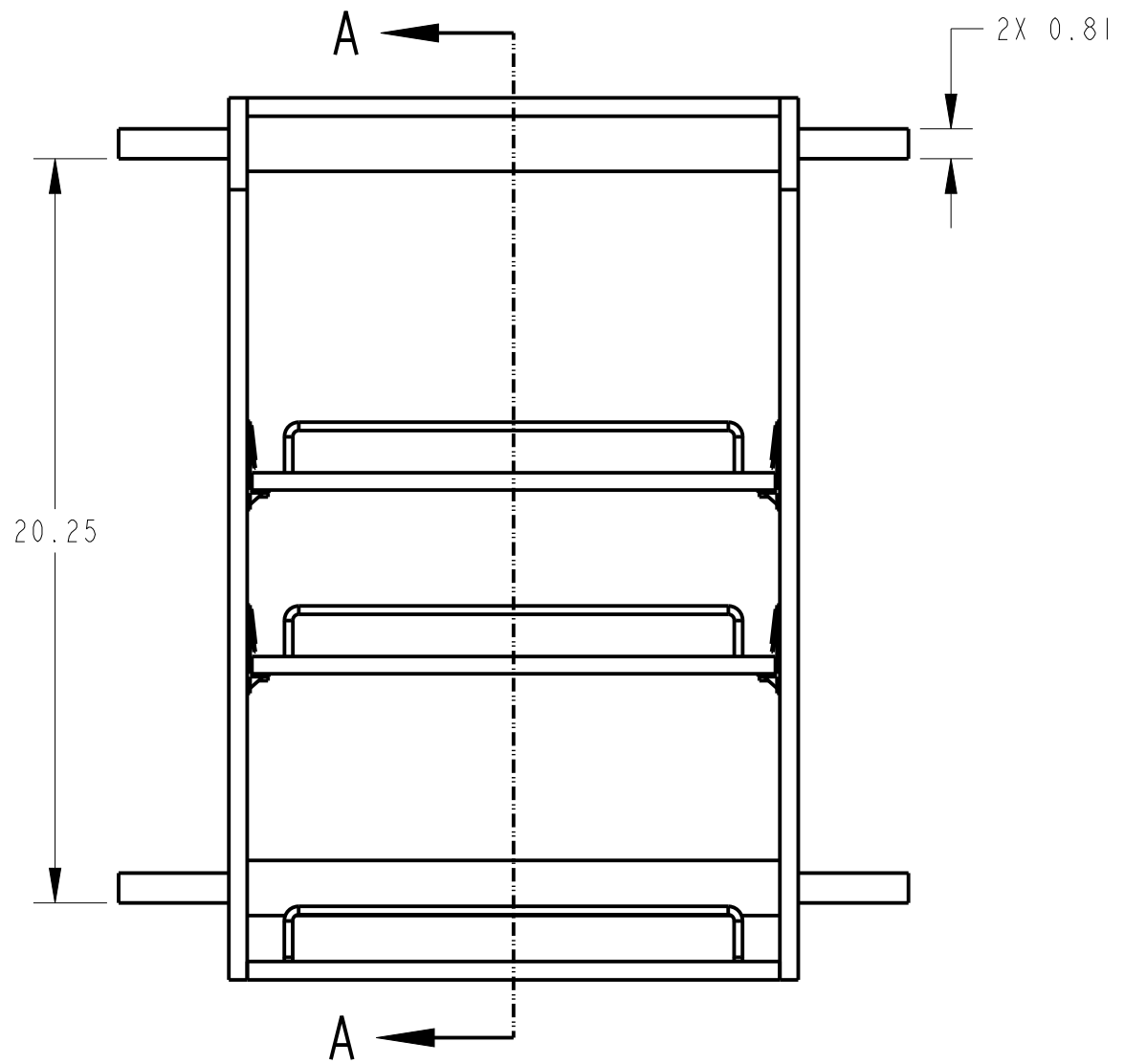
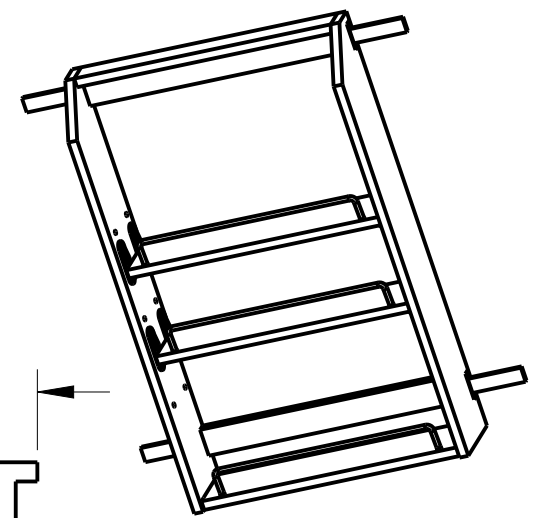


8 7 6 5 4 3 2 1

F E D C B A

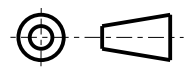


HR ITEM NUMBER	L1	L2	L3
SPR9A	9.5	8.50	15.50
SPR12A	12.5	11.50	18.50
SPR15A	15.5	14.50	21.50



SECTION A - A

THIRD ANGLE PROJECTION



MATERIAL N/A	FINISH N/A
-----------------	---------------

DESCRIPTION  
DOOR MOUNTED SPICE RACK

DRAWN BY ANDY BROWN	DATE 05APR2022
DESIGNED BY N/A	DATE N/A

DRAWING NUMBER SPR9A-SPR12A-SPR15A		REV <b>B</b>
---------------------------------------	--	-----------------

APPROVED BY GREG DAVIS	DATE 07APR2022
---------------------------	-------------------

SIZE A3	SCALE 0.200	SHEET 1 / 1
------------	----------------	----------------

UNLESS OTHERWISE SPECIFIED DIMENSIONS ARE IN INCHES (IN) DOCUMENT STATUS Released

HARDWARE RESOURCES RESERVES THE RIGHT TO CHANGE SPECIFICATIONS WITHOUT NOTICE. IN CASE OF A DISCREPANCY, ACTUAL PART GEOMETRY SUPERSEDES THIS DOCUMENT.

THE INFORMATION CONTAINED WITHIN THIS DRAWING IS THE SOLE PROPERTY OF HARDWARE RESOURCES INC. ANY REPRODUCTION IN PART OR WHOLE WITHOUT WRITTEN PERMISSION OF HARDWARE RESOURCES INC. IS PROHIBITED.

A

8 7 6 5 4 3 2 1