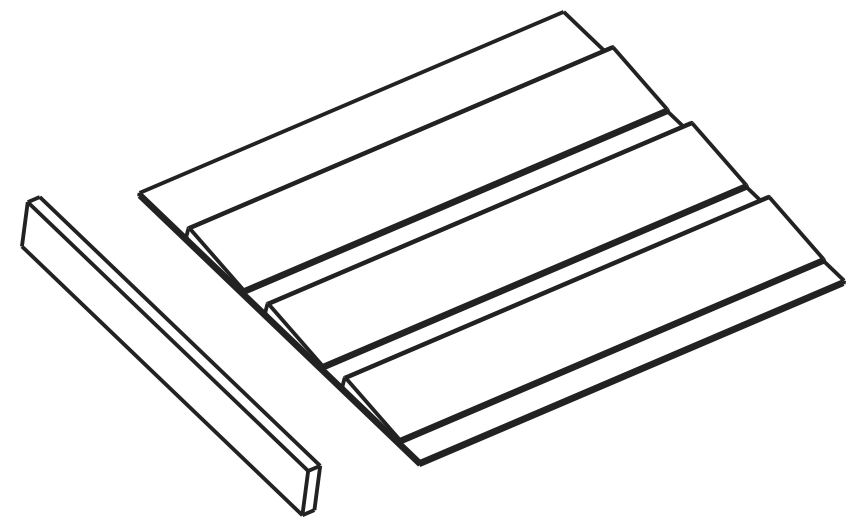
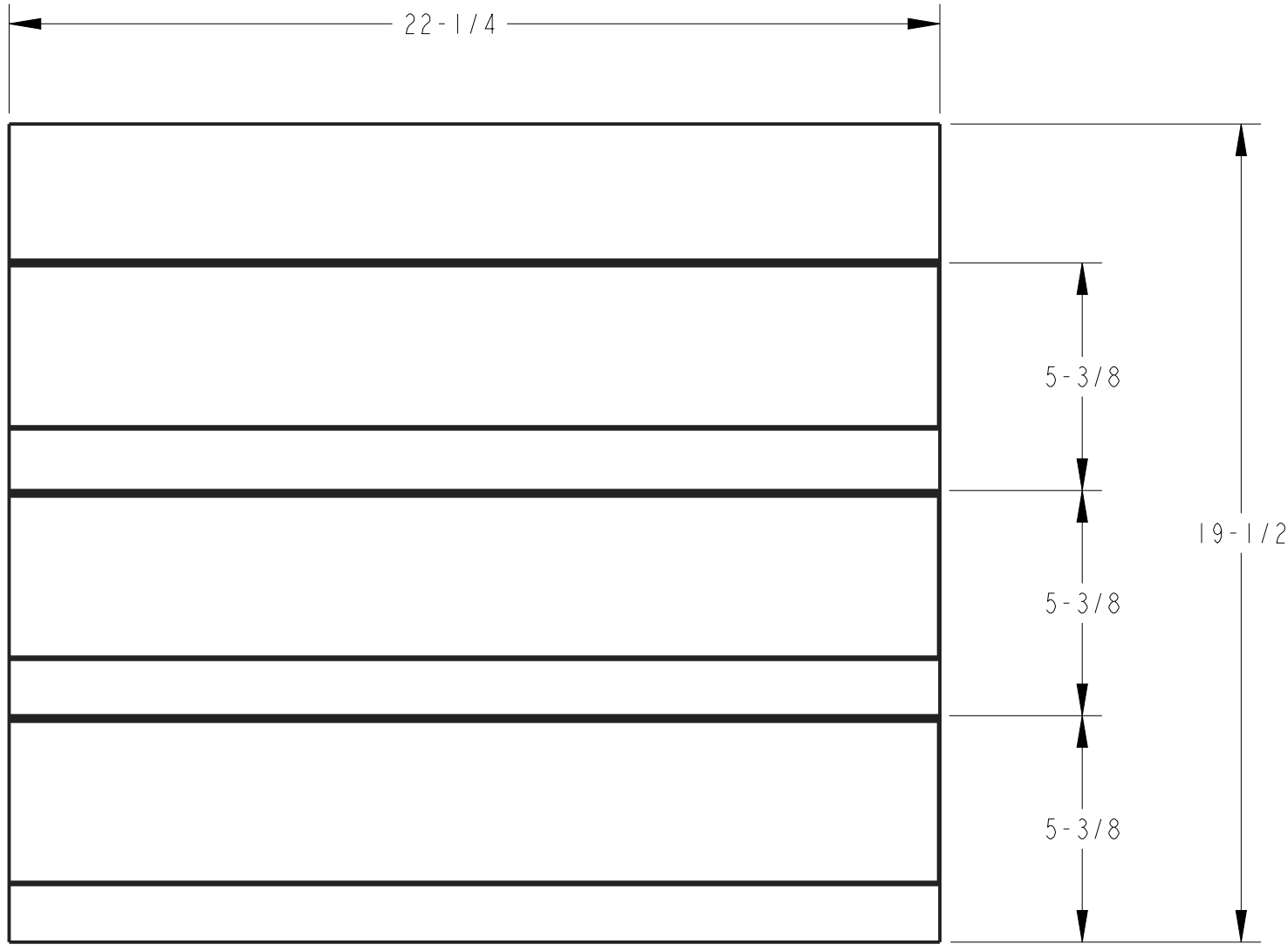
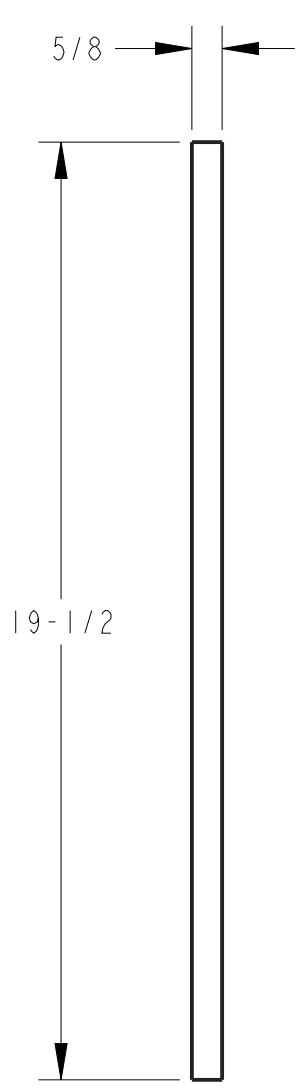


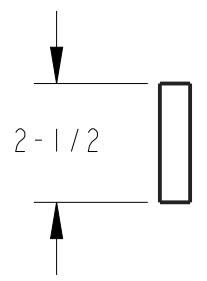
8 7 6 5 4 3 2 1

F E D C B A

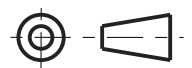


SCALE 0.125

TRANSITION BOARD
INSTALLATION OPTIONAL



THIRD ANGLE PROJECTION



MATERIAL BIRCH & BIRCH PLYWOOD	FINISH UV COATING
--------------------------------------	----------------------

DESCRIPTION
24" DROP-IN SPICE TRAY DRAWER INSERT

DRAWN BY GREG DAVIS	DATE 19MAR2021
DESIGNED BY GREG DAVIS	DATE 19MAR2021

DRAWING SPO24-B27		REV A
-----------------------------	--	-----------------

APPROVED BY E.GOLESTANYAN	DATE 25MAR2021
------------------------------	-------------------

SIZE A3	SCALE 0.250	SHEET 1 / 1
------------	----------------	----------------

DOCUMENT STATUS Released

HARDWARE RESOURCES RESERVES THE RIGHT TO CHANGE SPECIFICATIONS WITHOUT NOTICE.
IN CASE OF A DISCREPENCY, ACTUAL PART GEOMETRY SUPERSEDES THIS DOCUMENT.

THE INFORMATION CONTAINED WITHIN THIS DRAWING IS THE SOLE PROPERTY OF HARDWARE RESOURCES INC. ANY REPRODUCTION IN PART OR WHOLE WITHOUT WRITTEN PERMISSION OF HARDWARE RESOURCES INC. IS PROHIBITED.

8 7 6 5 4 3 2 1