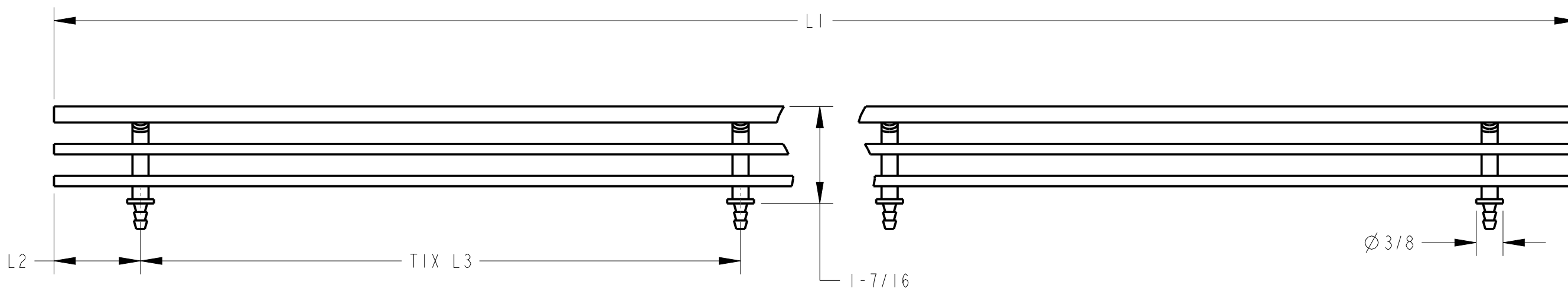
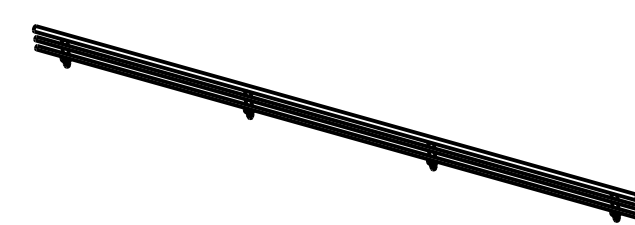


SCALE 1.000

HR ITEM NUMBER	FINISH	L1	L2	L3	T1
SF17-ORB	DARK BRONZE	17	2 3/16	12 5/8	1
SF17-PC	POLISHED CHROME	17	2 3/16	12 5/8	1
SF17-SN	SATIN NICKEL	17	2 3/16	12 5/8	1
SF23-ORB	DARK BRONZE	23	1 3/8	10 1/8	2
SF23-PC	POLISHED CHROME	23	1 3/8	10 1/8	2
SF23-SN	SATIN NICKEL	23	1 3/8	10 1/8	2
SF29-ORB	DARK BRONZE	29	1 5/16	8 13/16	3
SF29-PC	POLISHED CHROME	29	1 5/16	8 13/16	3
SF29-SN	SATIN NICKEL	29	1 5/16	8 13/16	3



**hardware  
resources**

HARDWARE RESOURCES RESERVES THE RIGHT TO CHANGE SPECIFICATIONS WITHOUT NOTICE. IN CASE OF A DISCREPANCY, ACTUAL PART GEOMETRY SUPERSEDES THIS DOCUMENT.

THE INFORMATION CONTAINED WITHIN THIS DRAWING IS THE SOLE PROPERTY OF HARDWARE RESOURCES INC. ANY REPRODUCTION IN PART OR WHOLE WITHOUT WRITTEN PERMISSION OF HARDWARE RESOURCES INC. IS PROHIBITED.

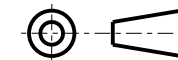
DOCUMENT STATUS **Released**

UNLESS OTHERWISE SPECIFIED DIMENSIONS ARE IN INCHES (IN)

MATERIAL  
STEEL

FINISH  
SEE TABLE

THIRD ANGLE PROJECTION



DATE

16FEB2023

DESCRIPTION

SHOE FENCE

DRAWING NUMBER  
SF17-SF23-SF29

REV  
**A**

SIZE  
A3

SCALE  
0.600

SHEET  
1 / 1