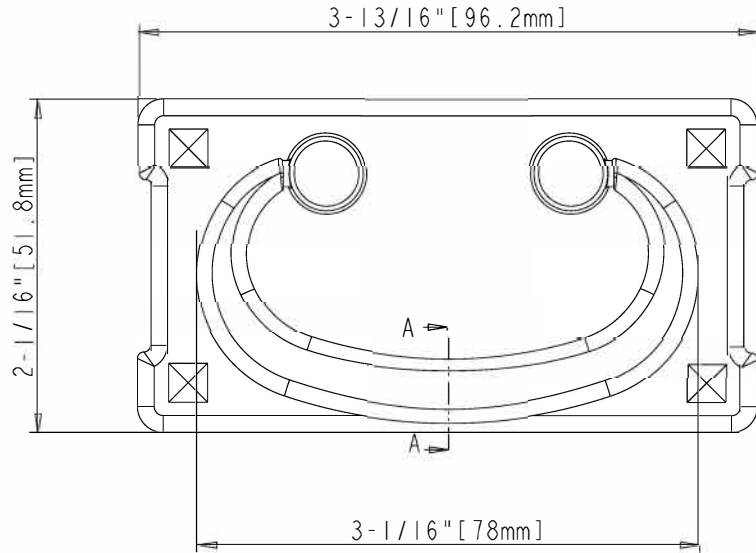
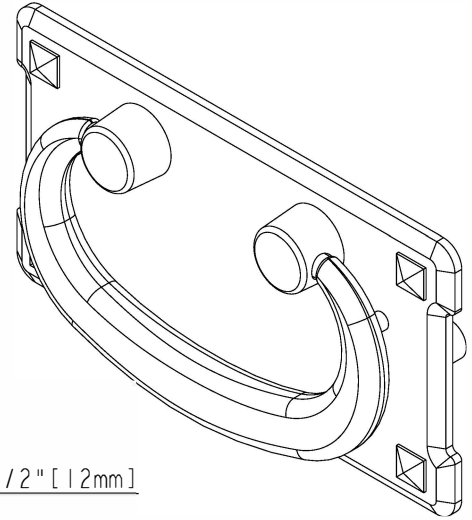


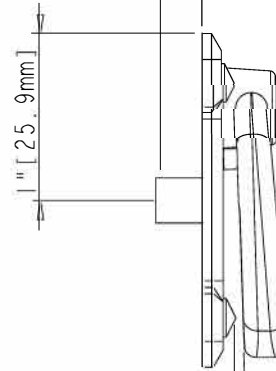
8-32 UNC ∇ 1/4"

3" CC



3/4" [18.5mm]

1/2" [12mm]



19/64" [7.5mm]

9/32" [7mm]



3/16" [5mm]

1/4" [6.96mm]

SECTION A-A

