

FINISH GOODS TABLE		
HR ITEM NUMBER	PRODUCT DESCRIPTION	FINISH
PPR-1814-PC	ASSY, SLIDING PANTS RACK, 9 PANTS, PC	POLISH CHROME
PPR-1814-SN	ASSY, SLIDING PANTS RACK, 9 PANTS, SN	SATIN NICKEL
PPR-1814-ORB	ASSY, SLIDING PANTS RACK, 9 PANTS, DOORB	DARK OIL RUB BRONZE
PPR-2414-PC	ASSY, SLIDING PANTS RACK, 13 PANTS, PC	POLISH CHROME
PPR-2414-SN	ASSY, SLIDING PANTS RACK, 13 PANTS, SN	SATIN NICKEL
PPR-2414-ORB	ASSY, SLIDING PANTS RACK, 13 PANTS, DOORB	DARK OIL RUB BRONZE
PPR-3014-PC	ASSY, SLIDING PANTS RACK, 16 PANTS, PC	POLISH CHROME
PPR-3014-SN	ASSY, SLIDING PANTS RACK, 16 PANTS, SN	SATIN NICKEL
PPR-3014-ORB	ASSY, SLIDING PANTS RACK, 16 PANTS, DOORB	DARK OIL RUB BRONZE

THIRD ANGLE PROJECTION



MATERIAL

FINISH

N/A

SEE TABLE

DRAWN BY
J. CORLESS

DATE
07OCT17

DESIGNED BY
J. CORLESS

DATE
22JUL16

APPROVED BY
G.DAVIS

DATE
12OCT17

**hardware
resources**

DESCRIPTION

SLIDING CLOSET PANTS RACK

DRAWING NUMBER
PPR

REV
A

SIZE
A3

SCALE
1:5

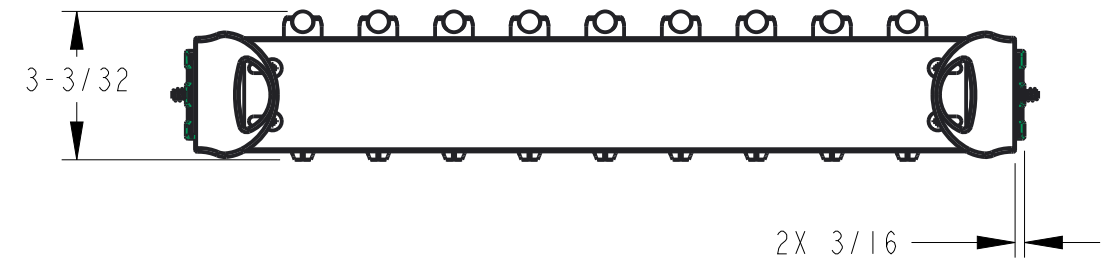
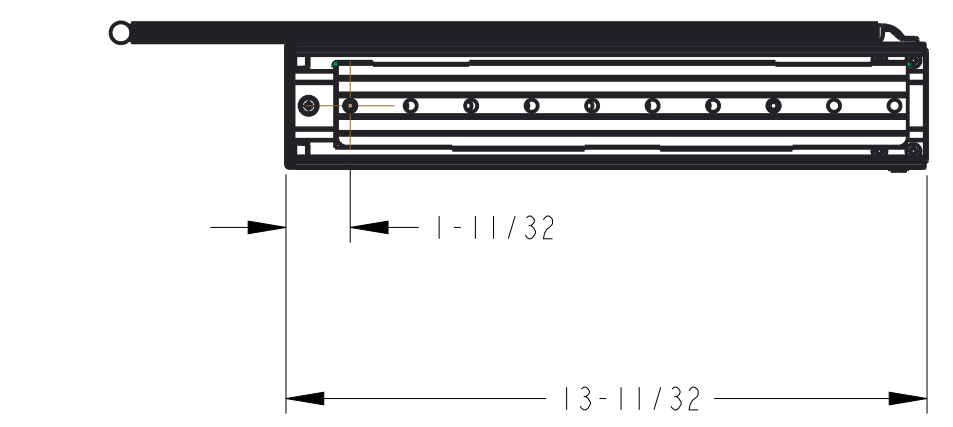
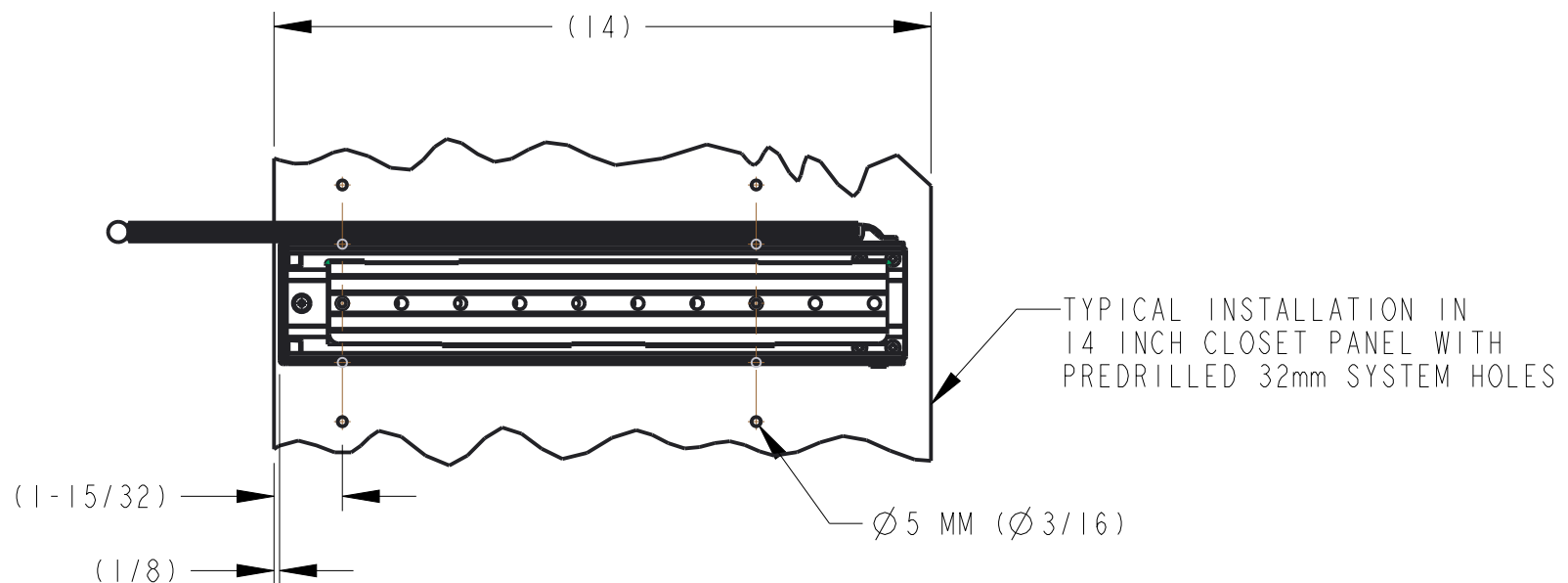
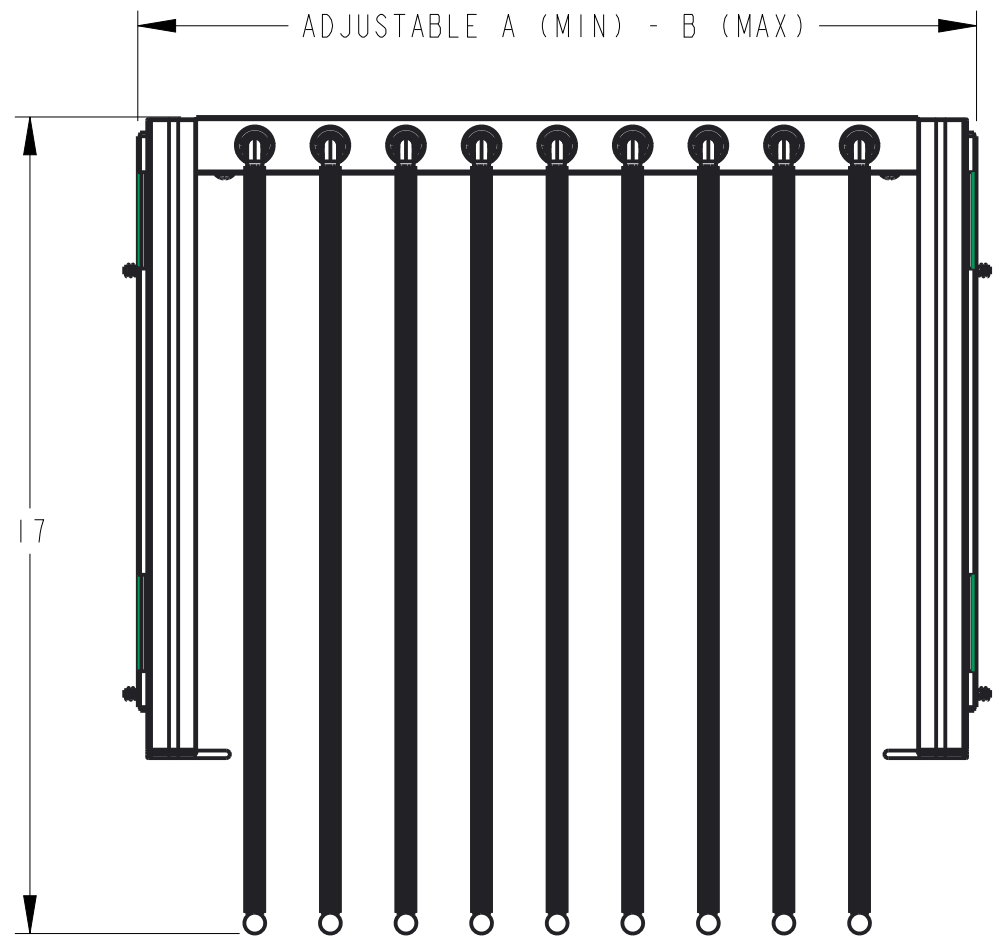
SHEET
1 / 2

DOCUMENT STATUS Released

HARDWARE RESOURCES RESERVES THE RIGHT TO CHANGE SPECIFICATIONS WITHOUT NOTICE.
IN CASE OF A DISCREPANCY, ACTUAL PART GEOMETRY SUPERSEDES THIS DOCUMENT.

THE INFORMATION CONTAINED WITHIN THIS DRAWING IS THE SOLE PROPERTY OF HARDWARE RESOURCES INC. ANY REPRODUCTION IN PART OR WHOLE WITHOUT WRITTEN PERMISSION OF HARDWARE RESOURCES INC. IS PROHIBITED.

VARIANT TABLE			
HR ITEM NUMBER	DESCRIPTION	A	B
PPR-1814-PC	ASSY, SLIDING PANTS RACK, 9 PANTS, PC	17-13/32	18-5/32
PPR-1814-SN	ASSY, SLIDING PANTS RACK, 9 PANTS, SN	17-13/32	18-5/32
PPR-1814-ORB	ASSY, SLIDING PANTS RACK, 9 PANTS, DORB	17-13/32	18-5/32
PPR-2414-PC	ASSY, SLIDING PANTS RACK, 13 PANTS, PC	23-3/4	24-1/2
PPR-2414-SN	ASSY, SLIDING PANTS RACK, 13 PANTS, SN	23-3/4	24-1/2
PPR-2414-ORB	ASSY, SLIDING PANTS RACK, 13 PANTS, DORB	23-3/4	24-1/2
PPR-3014-PC	ASSY, SLIDING PANTS RACK, 16 PANTS, PC	29-3/4	30-1/2
PPR-3014-SN	ASSY, SLIDING PANTS RACK, 16 PANTS, SN	29-3/4	30-1/2
PPR-3014-ORB	ASSY, SLIDING PANTS RACK, 16 PANTS, DORB	29-3/4	30-1/2



DRAWING NUMBER		REV
PPR		A
SIZE	SCALE	SHEET
A3	1:4	2 / 2
DOCUMENT STATUS		Released