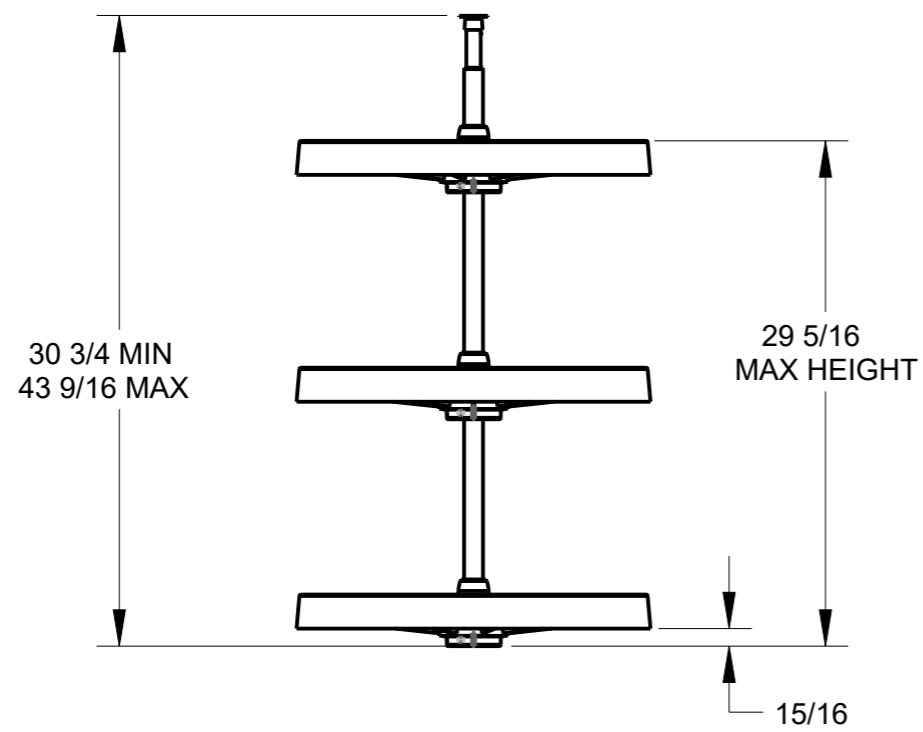
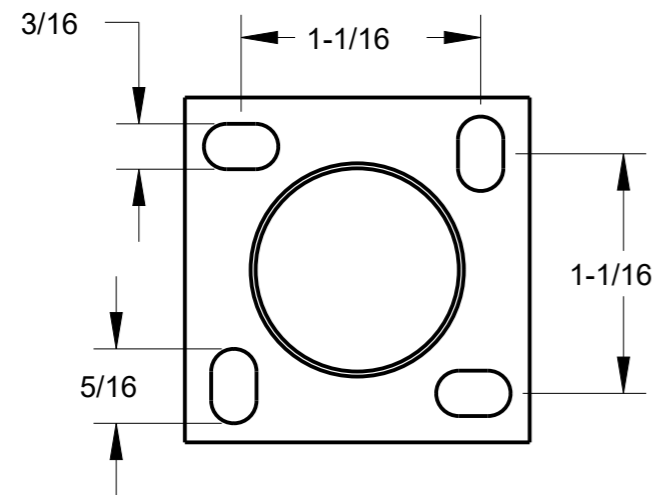
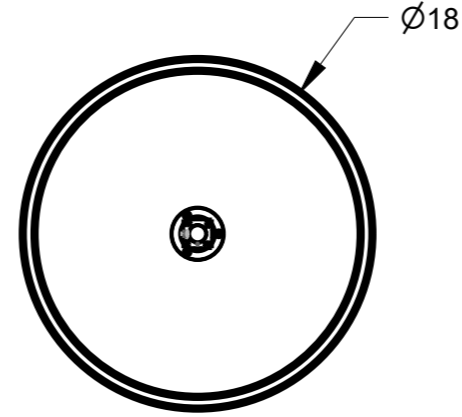
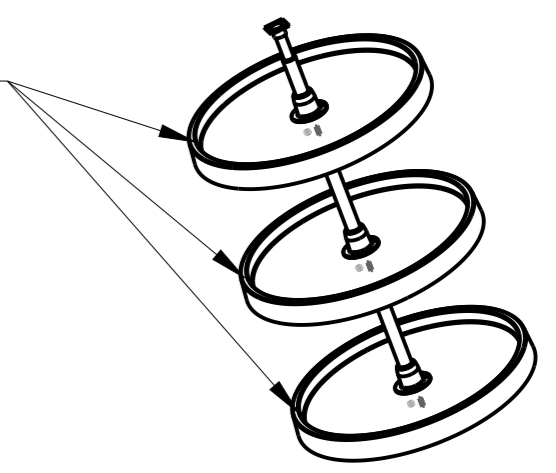


8 7 6 5 4 3 2 1

F E D C B A

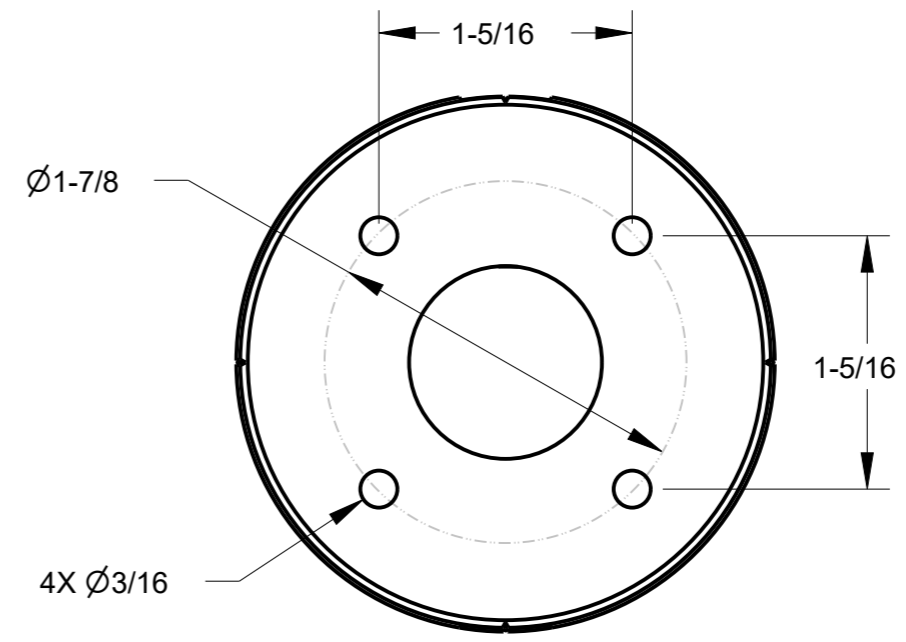


INDEPENDENT ROTATING
PLASTIC SHELVES



TOP MOUNTING HOLES

SCALE 1.200



BOTTOM MOUNTING HOLES

SCALE 1.000



HARDWARE RESOURCES RESERVES THE RIGHT TO CHANGE SPECIFICATIONS WITHOUT NOTICE. IN CASE OF A DISCREPANCY, ACTUAL PART GEOMETRY SUPERSEDES THIS DOCUMENT.

THE INFORMATION CONTAINED WITHIN THIS DRAWING IS THE SOLE PROPERTY OF HARDWARE RESOURCES INC. ANY REPRODUCTION IN PART OR WHOLE WITHOUT WRITTEN PERMISSION OF HARDWARE RESOURCES INC. IS PROHIBITED.

DOCUMENT STATUS		Released	
UNLESS OTHERWISE SPECIFIED DIMENSIONS ARE IN INCHES (IN)			
MATERIAL	FINISH		
N/A	N/A		
THIRD ANGLE PROJECTION		DATE	
		06SEP2022	

DESCRIPTION		
LAZY SUSAN, PLASTIC, ROUND, CHROME HUB, 3 SHELF		
DRAWING NUMBER		REV
PLSMR318		A
SIZE	SCALE	SHEET
A3	0.100	1 / 1

A

A

8 7 6 5 4 3 2 1