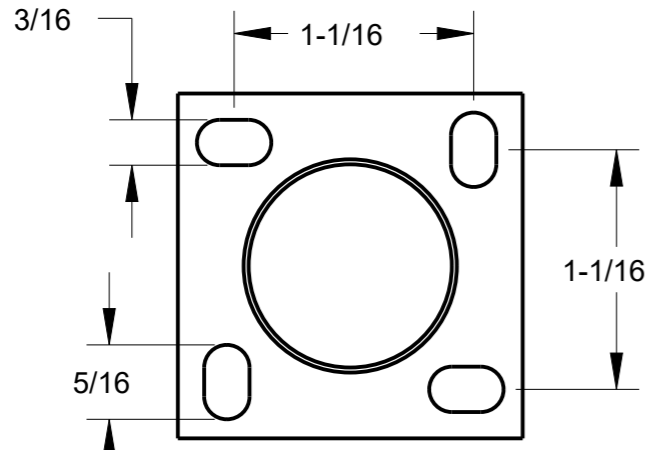
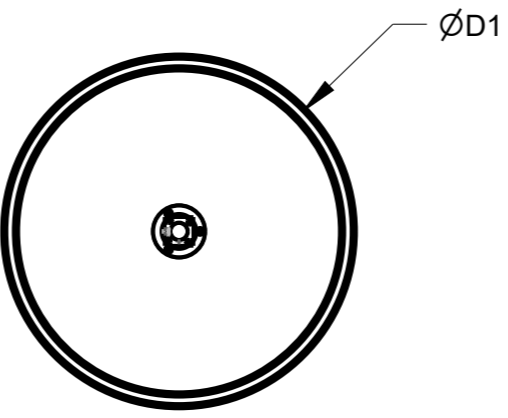
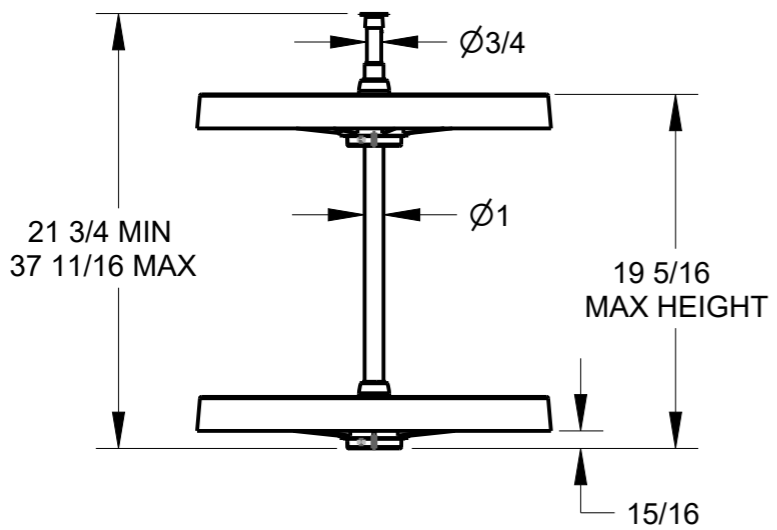
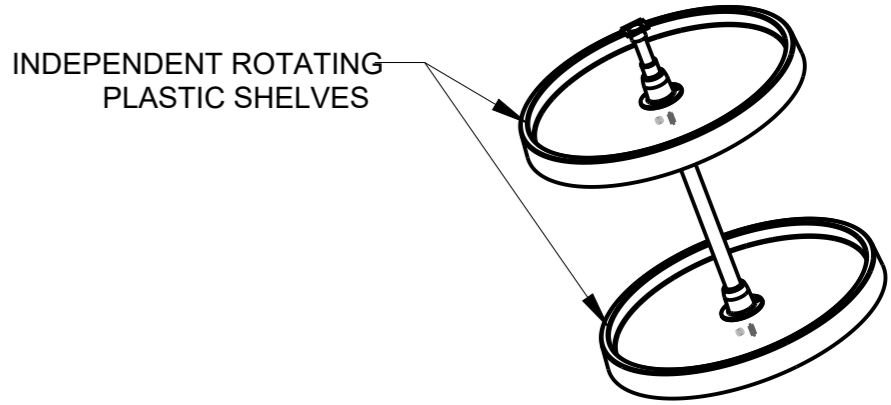


8 7 6 5 4 3 2 1

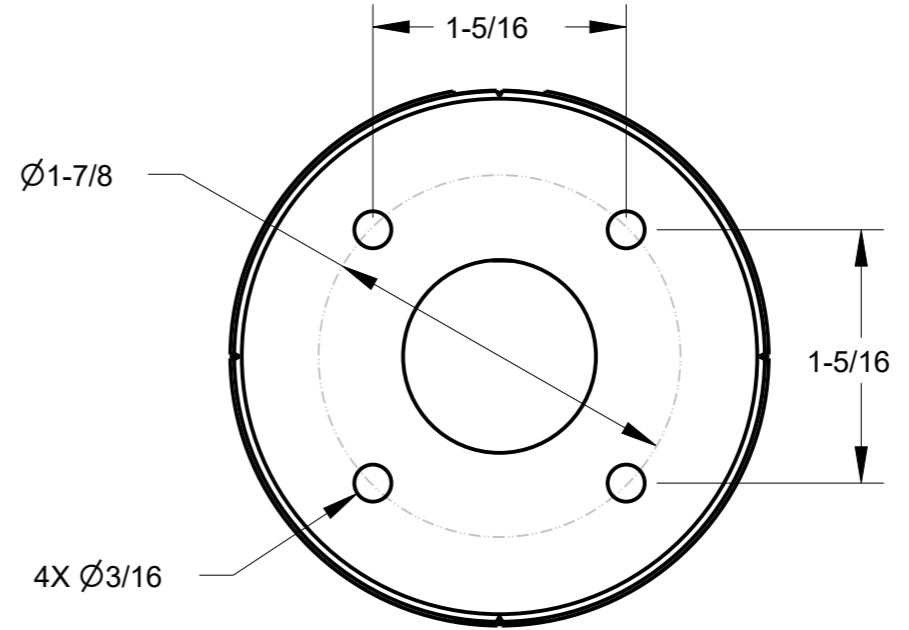
F  
E  
D  
C  
B  
A

F  
E  
D  
C  
B  
A

ITEM	D1
PLSMR18	17 13/16
PLSMR24	23 13/16
PLSMR28	27 13/16



TOP MOUNTING HOLES  
SCALE 1.200



BOTTOM MOUNTING HOLES  
SCALE 1.000



HARDWARE RESOURCES RESERVES THE RIGHT TO CHANGE SPECIFICATIONS WITHOUT NOTICE. IN CASE OF A DISCREPANCY, ACTUAL PART GEOMETRY SUPERSEDES THIS DOCUMENT.

THE INFORMATION CONTAINED WITHIN THIS DRAWING IS THE SOLE PROPERTY OF HARDWARE RESOURCES INC. ANY REPRODUCTION IN PART OR WHOLE WITHOUT WRITTEN PERMISSION OF HARDWARE RESOURCES INC. IS PROHIBITED.

DOCUMENT STATUS <b>Released</b>		DESCRIPTION	
UNLESS OTHERWISE SPECIFIED DIMENSIONS ARE IN INCHES (IN)		LAZY SUSAN, PLASTIC, ROUND, CHROME HUB, 2 SHELF	
MATERIAL N/A	FINISH N/A	DRAWING NUMBER PLSMR18-24-28	REV <b>A</b>
THIRD ANGLE PROJECTION		SIZE A3	SHEET 1 / 1
		SCALE 0.100	DATE 06SEP2022

8 7 6 5 4 3 2 1