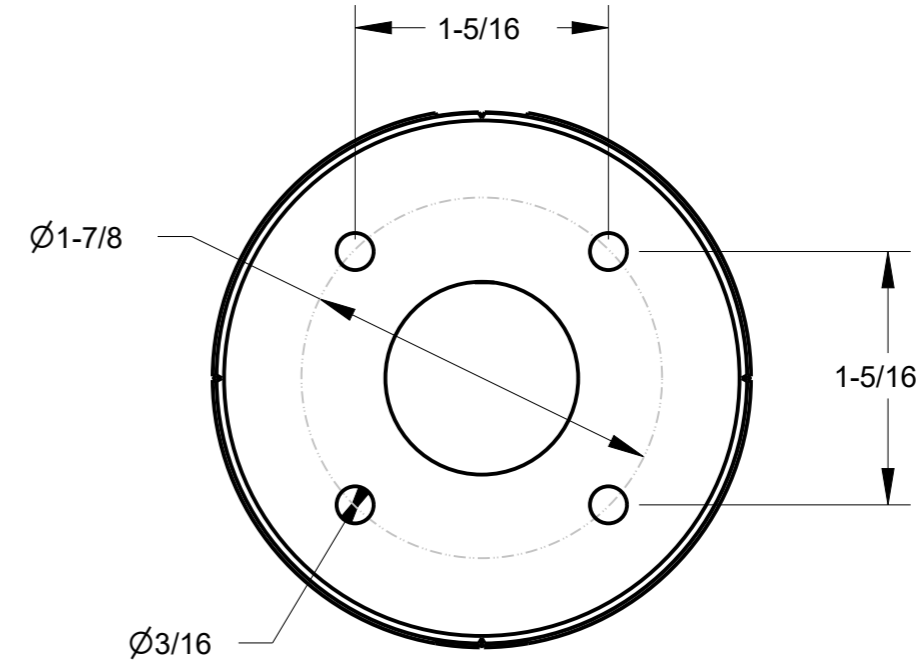
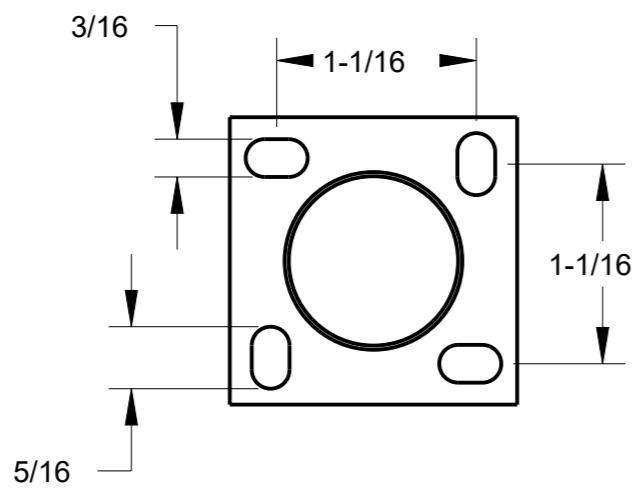
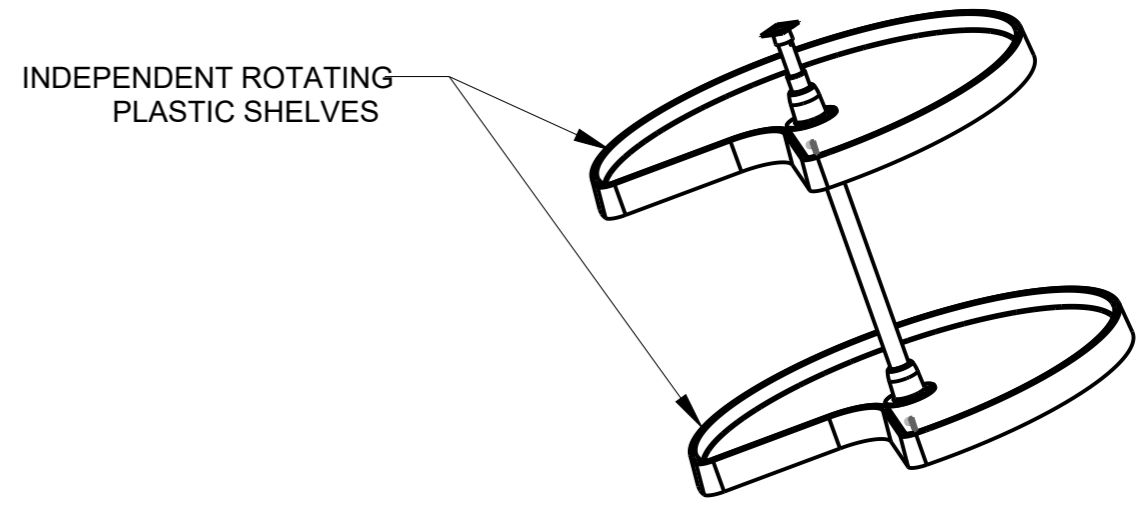
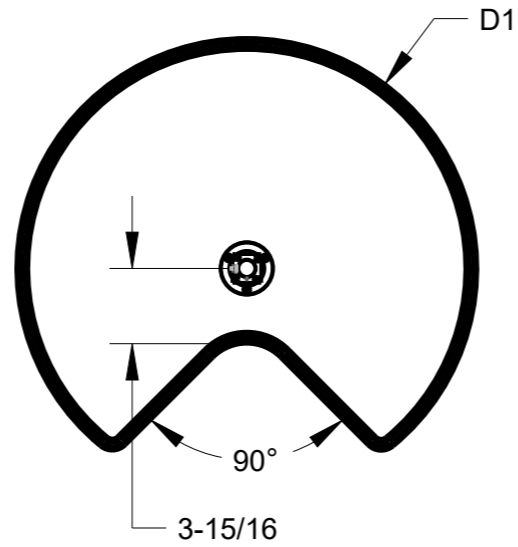
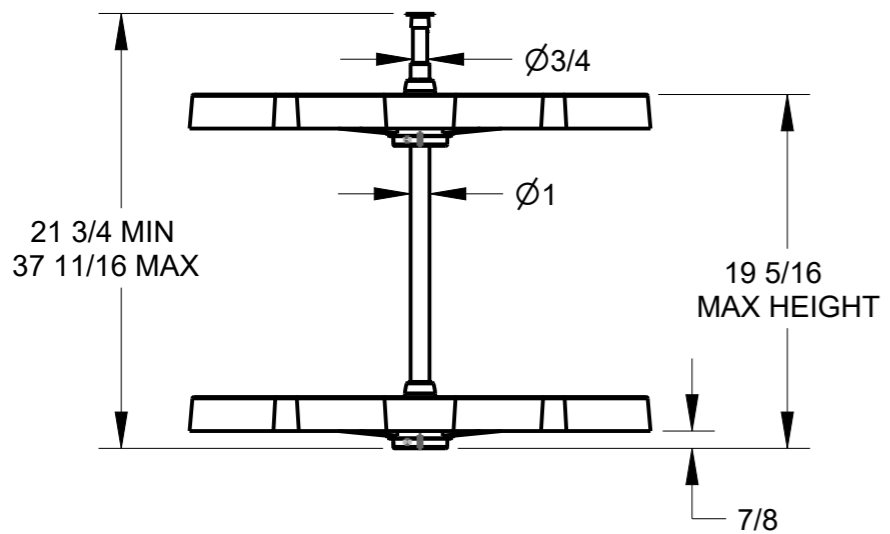


8 7 6 5 4 3 2 1

F
E
D
C
B
A

F
E
D
C
B
A

ITEM	D1
PLSMK24	24
PLSMK28	27 13/16
PLSMK32	31 13/16



hardware resources

HARDWARE RESOURCES RESERVES THE RIGHT TO CHANGE SPECIFICATIONS WITHOUT NOTICE. IN CASE OF A DISCREPANCY, ACTUAL PART GEOMETRY SUPERSEDES THIS DOCUMENT.

THE INFORMATION CONTAINED WITHIN THIS DRAWING IS THE SOLE PROPERTY OF HARDWARE RESOURCES INC. ANY REPRODUCTION IN PART OR WHOLE WITHOUT WRITTEN PERMISSION OF HARDWARE RESOURCES INC. IS PROHIBITED.

DOCUMENT STATUS Released	
UNLESS OTHERWISE SPECIFIED DIMENSIONS ARE IN INCHES (IN)	
MATERIAL N/A	FINISH N/A
THIRD ANGLE PROJECTION 	DATE 08SEP2022

DESCRIPTION		
LAZY SUSAN, PLASTIC, KIDNEY, CHROME HUB, 2 SHELF		
DRAWING NUMBER PLSMK24-28-32		REV A
SIZE A3	SCALE 0.100	SHEET 1 / 1

8 7 6 5 4 3 2 1