

8 7 6 5 4 3 2 1

F

F

E

E

D

D

C

C

B

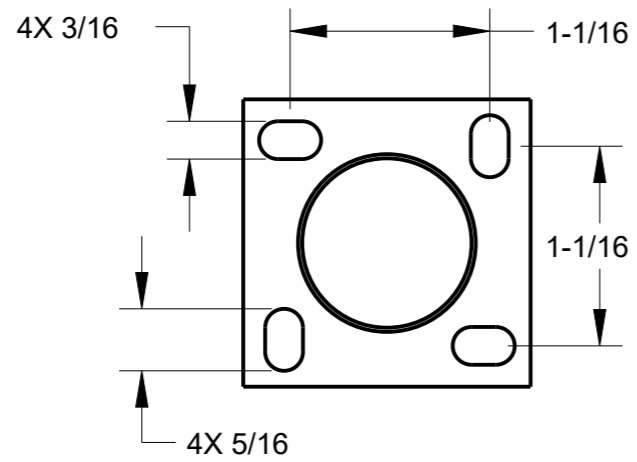
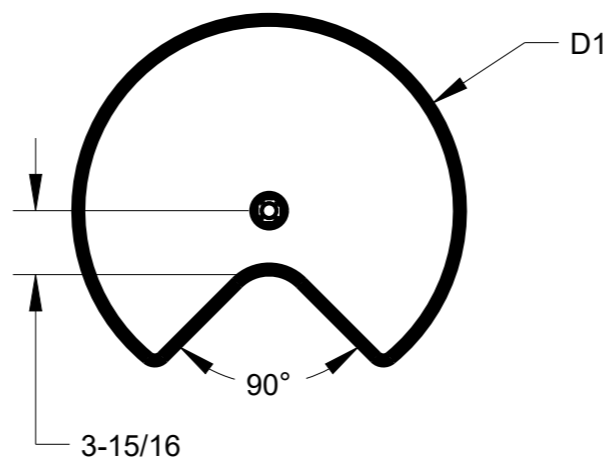
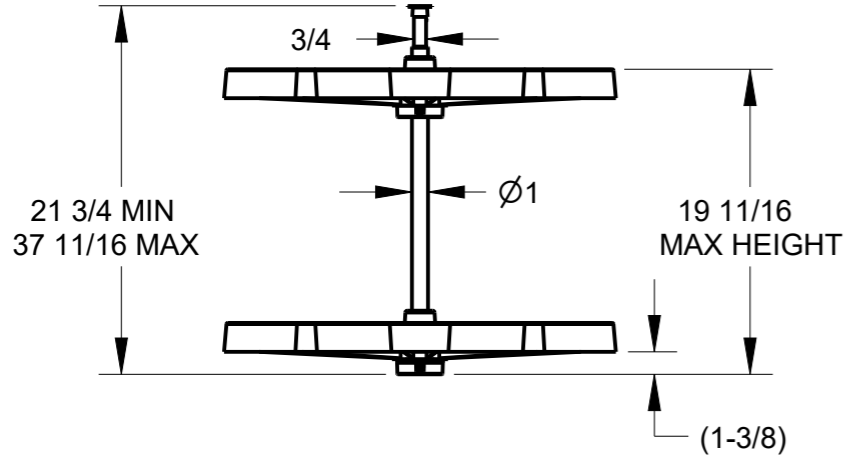
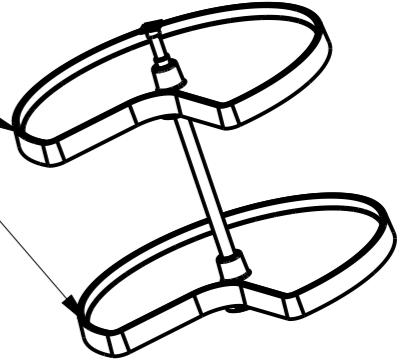
B

A

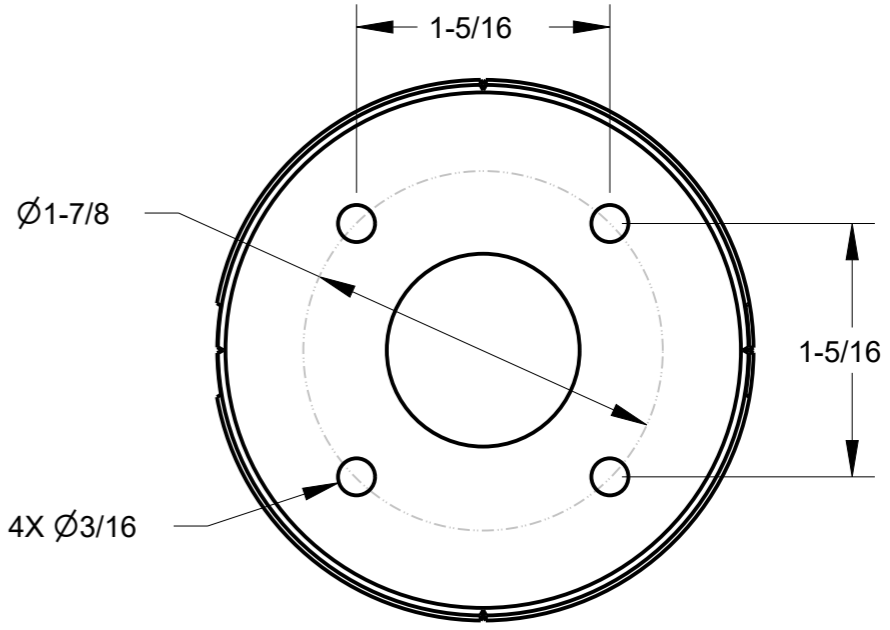
A

ITEM	D1
PLSK224	23
PLSK228	27 3/4
PLSK232	31

INDEPENDENT ROTATING PLASTIC SHELVES



TOP MOUNTING HOLES



BOTTOM MOUNTING HOLES



HARDWARE RESOURCES RESERVES THE RIGHT TO CHANGE SPECIFICATIONS WITHOUT NOTICE. IN CASE OF A DISCREPANCY, ACTUAL PART GEOMETRY SUPERSEDES THIS DOCUMENT.

THE INFORMATION CONTAINED WITHIN THIS DRAWING IS THE SOLE PROPERTY OF HARDWARE RESOURCES INC. ANY REPRODUCTION IN PART OR WHOLE WITHOUT WRITTEN PERMISSION OF HARDWARE RESOURCES INC. IS PROHIBITED.

DOCUMENT STATUS <b>Released</b>	
UNLESS OTHERWISE SPECIFIED DIMENSIONS ARE IN INCHES (IN)	
MATERIAL N/A	FINISH N/A
THIRD ANGLE PROJECTION 	DATE 06SEP2022

DESCRIPTION		
LAZY SUSAN, ECONOMY, PLASTIC, KIDNEY, 2 SHELF SET		
DRAWING NUMBER PLSK224-228-232		REV <b>A</b>
SIZE A3	SCALE 0.085	SHEET 1 / 1

8 7 6 5 4 3 2 1