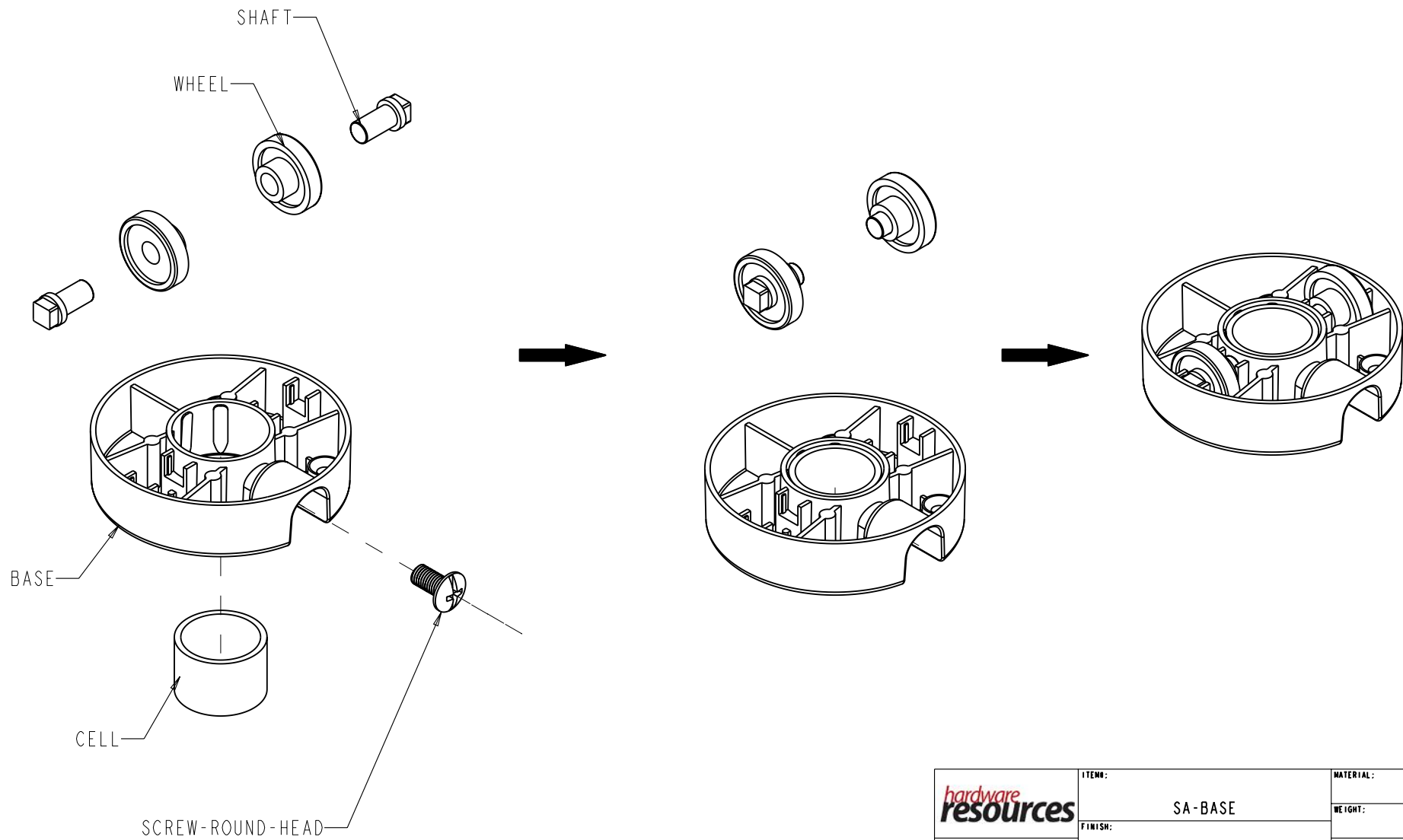


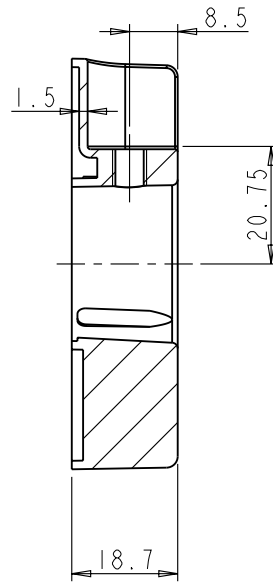
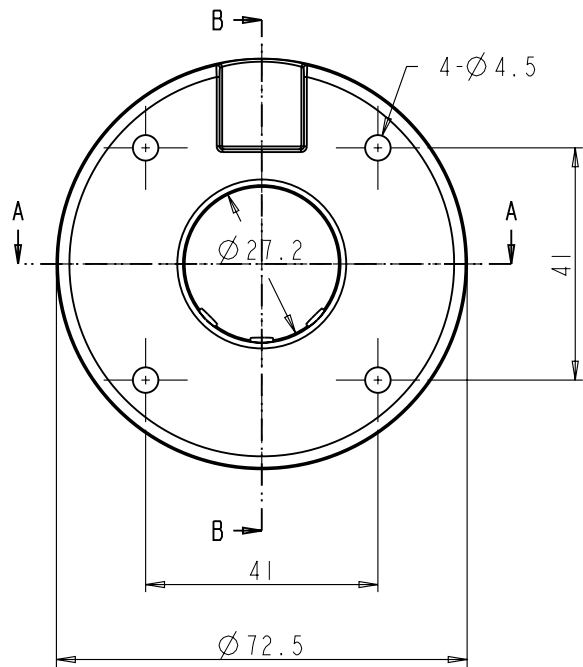
BILLS OF MATERIAL :

NO.	ITEM#	MATERIAL	QTY	UNIT WEIGHT	TOTLE	TYPE	ASSY LEVEL
9	SA-INNER-PIPE	ASSEMBLY	1	238.81	238.81	ASSEMBLY	1
8	SA-LOCKER	ASSEMBLY	1	83.83	83.83	ASSEMBLY	1
7	SCREW-FLAT-HEAD-LONG	STEEL	9	1.33	11.93	PART	1
6	SA-COVER	ASSEMBLY	3	140.58	421.73	ASSEMBLY	1
5	LSR	WOOD	3			PART	1
4	SA-CONNECTOR	ASSEMBLY	3	225.90	677.71	ASSEMBLY	1
3	SCREW-WOODEN	STEEL	4	0.71	2.82	PART	1
2	SA-BASE	ASSEMBLY	3	159.39	478.16	ASSEMBLY	1
1	PIPE-OUTER	STEEL	1	348.53	348.53	PART	1

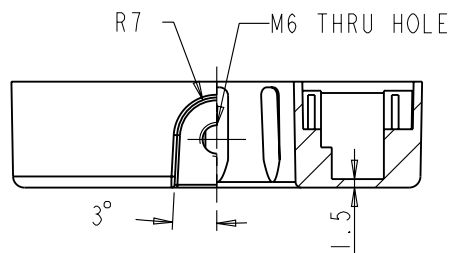
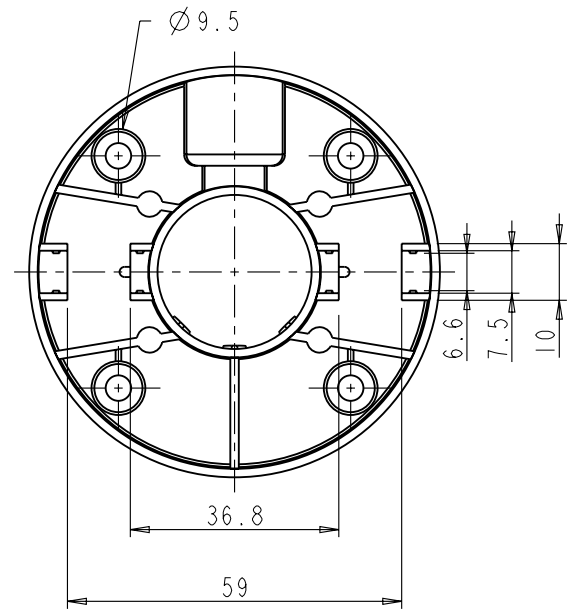
<p>PROPRIETARY AND CONFIDENTIAL</p> <p>THE INFORMATION CONTAINED IN THIS DRAWING IS THE SOLE PROPERTY OF HARDWARE RESOURCES INC. ANY REPRODUCTION IN PART OR AS A WHOLE WITHOUT THE WRITTEN PERMISSION OF HARDWARE RESOURCES INC. IS PROHIBITED.</p> <p>DO NOT SCALE DRAWING</p>	ITEM#: LSR318-SET		MATERIAL:		
	FINISH:		WEIGHT:		
	TOLERANCE UNLESS OTHERWISE SPECIFIED: X ±0.20 X.X ±0.10 X.XX ±0.05 ANGULAR: ±0.5°		UNITS:	DRAWN BY: <i>Alan Liu</i>	DATE:
	SIZE: A4	APPROVED BY:	DATE:	PROJECTION:	9
SHEET:	RELEASE LEVEL:	REVISION:			



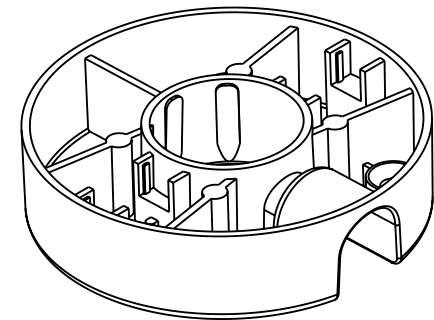
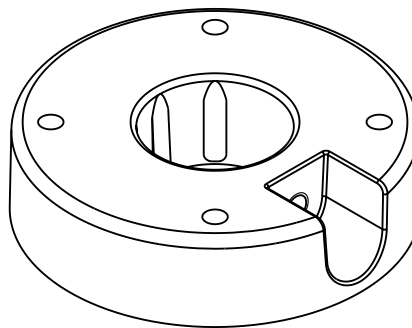
<p>hardware resources</p> <p><small>PROPRIETARY AND CONFIDENTIAL</small></p> <p><small>THE INFORMATION CONTAINED IN THIS DRAWING IS THE SOLE PROPERTY OF HARDWARE RESOURCES INC. ANY REPRODUCTION IN PART OR AS A WHOLE WITHOUT THE WRITTEN PERMISSION OF HARDWARE RESOURCES INC. IS PROHIBITED.</small></p> <p><small>DO NOT SCALE DRAWING</small></p>	ITEM:	SA-BASE		MATERIAL:
	FINISH:			WEIGHT:
	TOLERANCE UNLESS OTHERWISE SPECIFIED:	UNITS:	DRAWN BY:	DATE:
	SIZE:	A4	APPROVED BY:	DATE:
ANGULAR: $\pm 0.5^\circ$	SHEET:	RELEASE LEVEL:	REVISION:	



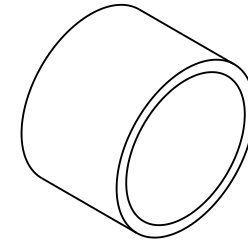
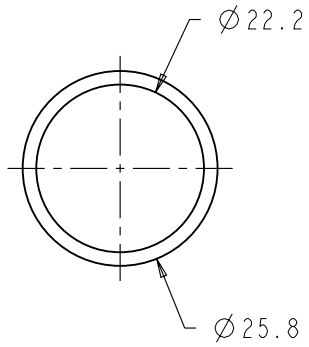
SECTION B-B


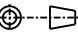


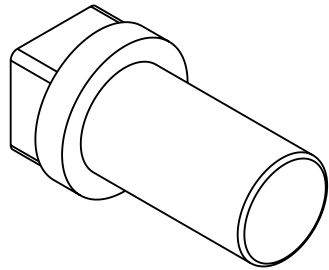
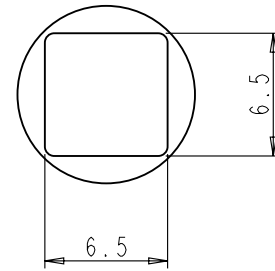
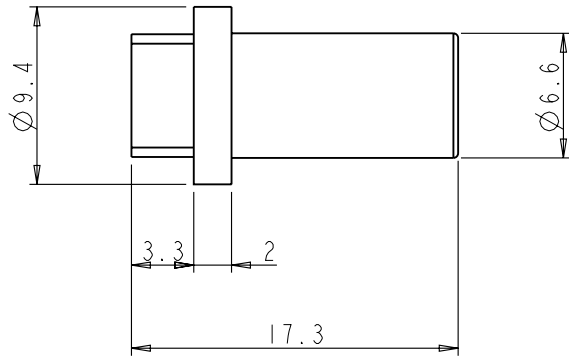
SECTION A-A




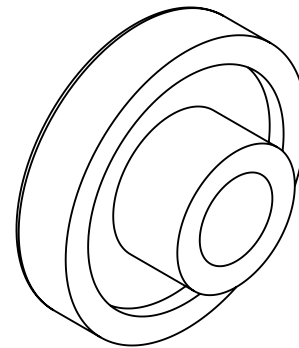
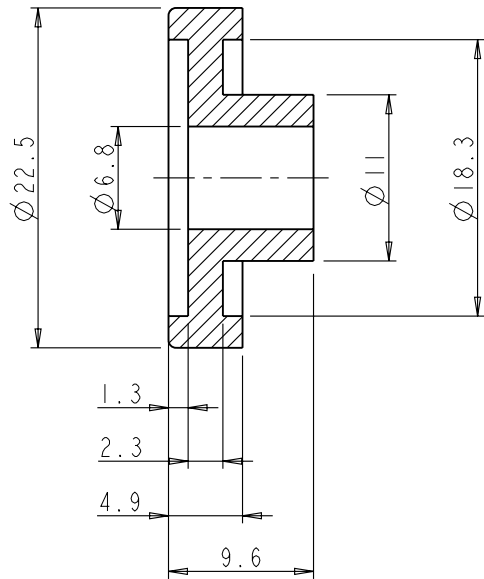
	ITEM:	BASE		MATERIAL:	ZINC
	FINISH:			WEIGHT:	133.30 g
PROPRIETARY AND CONFIDENTIAL THE INFORMATION CONTAINED IN THIS DRAWING IS THE SOLE PROPERTY OF HARDWARE RESOURCES INC. ANY REPRODUCTION IN PART OR AS A WHOLE WITHOUT THE WRITTEN PERMISSION OF HARDWARE RESOURCES INC. IS PROHIBITED.	TOLERANCE UNLESS OTHERWISE SPECIFIED:	UNITS:	DRAWN BY:	DATE:	
	SIZE:	MM	<i>Alan Liu</i>	APPROVED BY:	DATE:
	ANGULAR: $\pm 0.5^\circ$	A4	RELEASE LEVEL:	REVISION:	
	DO NOT SCALE DRAWING	SHEET:			



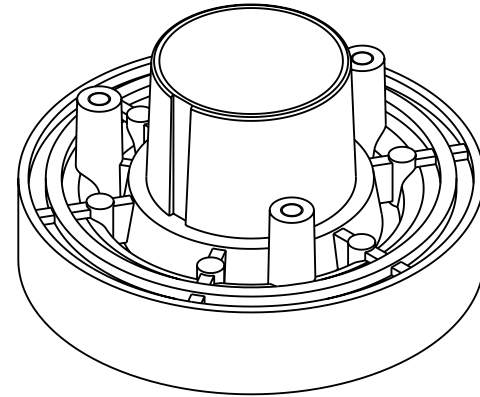
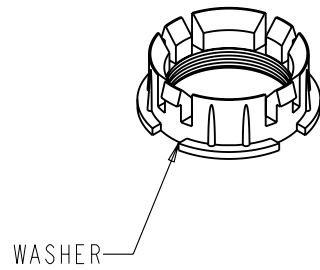
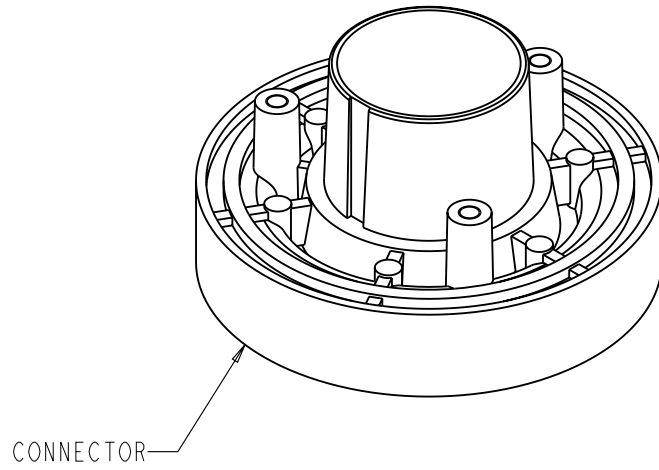
	ITEM#: CELL		MATERIAL: PA	
	FINISH:		WEIGHT: 2.80 g	
<p>PROPRIETARY AND CONFIDENTIAL</p> <p>THE INFORMATION CONTAINED IN THIS DRAWING IS THE SOLE PROPERTY OF HARDWARE RESOURCES INC. ANY REPRODUCTION IN PART OR AS A WHOLE WITHOUT THE WRITTEN PERMISSION OF HARDWARE RESOURCES INC. IS PROHIBITED.</p> <p>DO NOT SCALE DRAWING</p>	PROJECTION 		DATE:	
	TOLERANCE UNLESS OTHERWISE SPECIFIED:	UNITS: MM	DRAWN BY: <i>Alan Liu</i>	
	X ±0.20 X.X ±0.10 X.XX ±0.05 ANGULAR: ±0.5°	SIZE: A4	APPROVED BY:	
		SHEET:	RELEASE LEVEL:	REVISION:



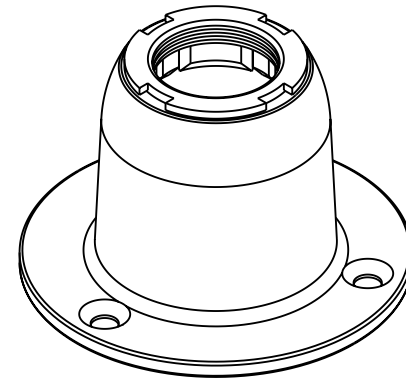
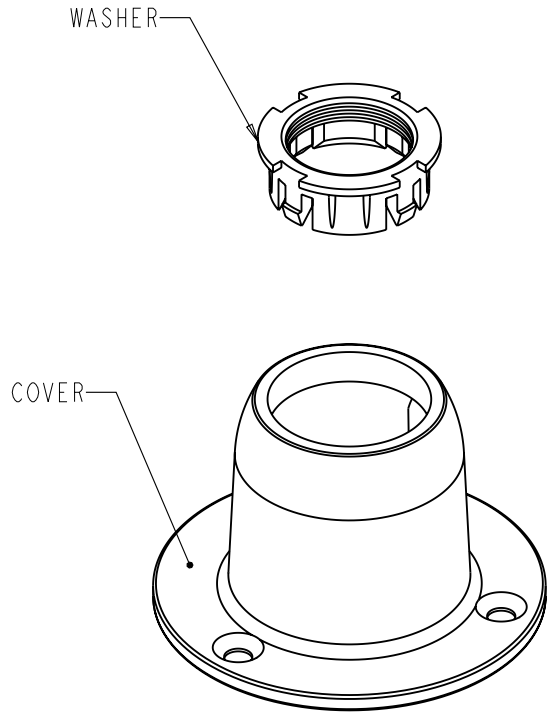
 PROPRIETARY AND CONFIDENTIAL THE INFORMATION CONTAINED IN THIS DRAWING IS THE SOLE PROPERTY OF HARDWARE RESOURCES INC. ANY REPRODUCTION IN PART OR AS A WHOLE WITHOUT THE WRITTEN PERMISSION OF HARDWARE RESOURCES INC. IS PROHIBITED. DO NOT SCALE DRAWING	ITEM#: SHAFT		MATERIAL: ABS		
	FINISH:		WEIGHT: 0.50 g		
	TOLERANCE UNLESS OTHERWISE SPECIFIED: X ± 0.20 X.X ± 0.10 X.XX ± 0.05 ANGULAR: $\pm 0.5^\circ$		UNITS: MM	DRAWN BY: <i>Alan Liu</i>	DATE:
	SIZE: A4		APPROVED BY:		DATE:
SHEET:		RELEASE LEVEL:		REVISION:	


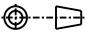


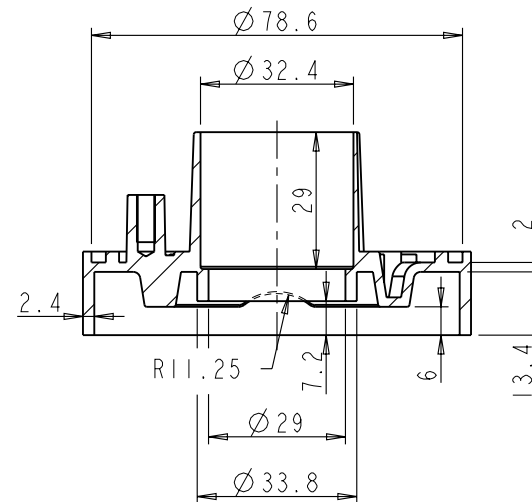
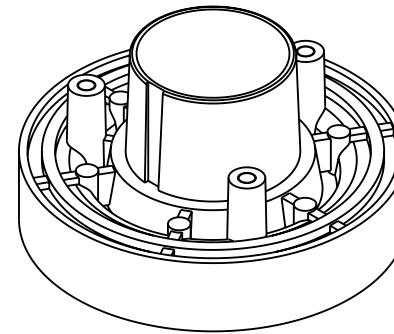
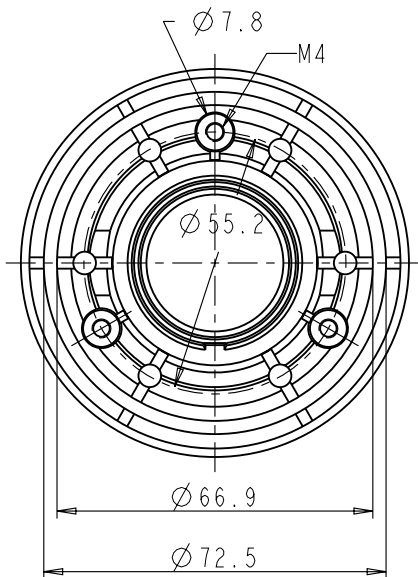
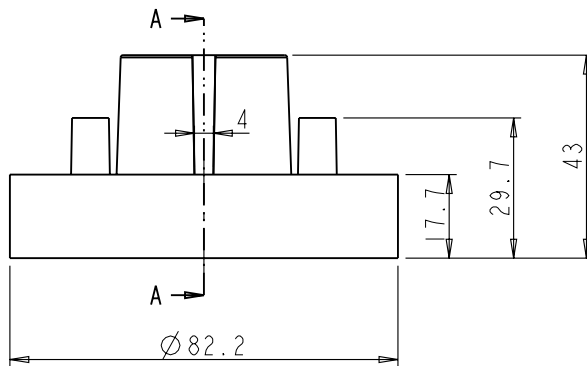
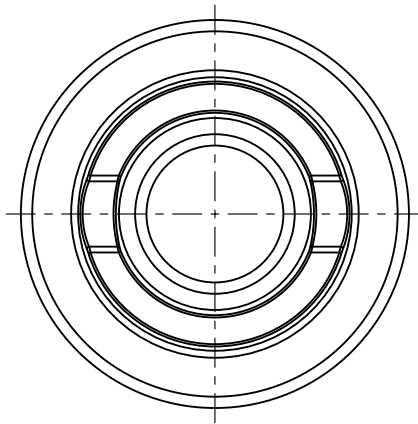
<p>hardware resources</p> <p>PROPRIETARY AND CONFIDENTIAL</p> <p>THE INFORMATION CONTAINED IN THIS DRAWING IS THE SOLE PROPERTY OF HARDWARE RESOURCES INC. ANY REPRODUCTION IN PART OR AS A WHOLE WITHOUT THE WRITTEN PERMISSION OF HARDWARE RESOURCES INC. IS PROHIBITED.</p> <p>DO NOT SCALE DRAWING</p>	ITEM:	WHEEL		MATERIAL:	ABS	
	FINISH:			WEIGHT:	1.30 g	
	TOLERANCE UNLESS OTHERWISE SPECIFIED:	UNITS:	MM	DRAWN BY:	<i>Alan Liu</i>	DATE:
	SIZE:	A4	APPROVED BY:		DATE:	
	SHEET:	RELEASE LEVEL:		REVISION:		



<p>hardware resources</p> <p><u>PROPRIETARY AND CONFIDENTIAL</u></p> <p>THE INFORMATION CONTAINED IN THIS DRAWING IS THE SOLE PROPERTY OF HARDWARE RESOURCES INC. ANY REPRODUCTION IN PART OR AS A WHOLE WITHOUT THE WRITTEN PERMISSION OF HARDWARE RESOURCES INC. IS PROHIBITED.</p> <p>DO NOT SCALE DRAWING</p>	ITEM#: SA-CONNECTOR	MATERIAL:		
	FINISH:	WEIGHT:		
	TOLERANCE UNLESS OTHERWISE SPECIFIED: I ±0.20 I.I ±0.10 I.IX ±0.05 ANGULAR: ±0.5°	UNITS:	DRAWN BY: <i>Alan Liu</i>	DATE:
	SIZE: A4	APPROVED BY:	DATE:	
	SHEET:	RELEASE LEVEL:	REVISION:	

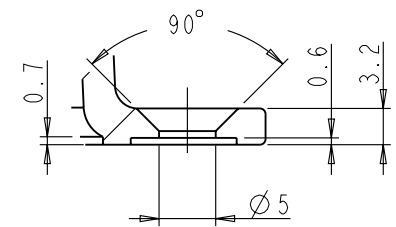
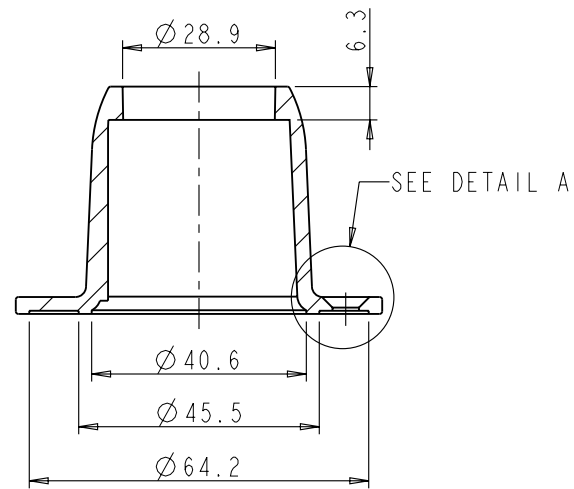
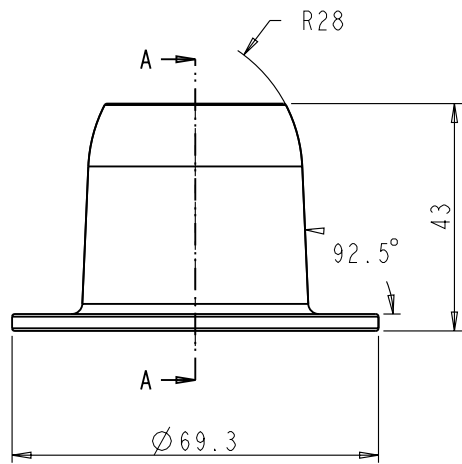
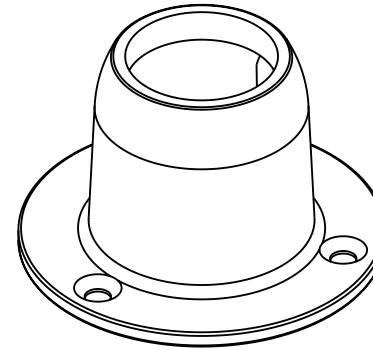
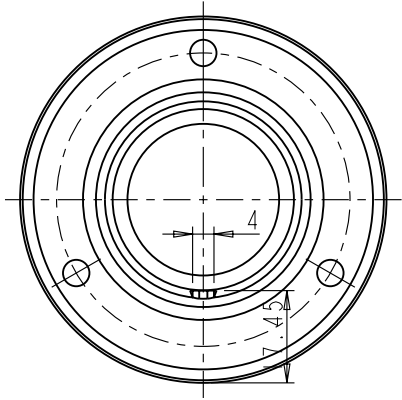


 PROPRIETARY AND CONFIDENTIAL THE INFORMATION CONTAINED IN THIS DRAWING IS THE SOLE PROPERTY OF HARDWARE RESOURCES INC. ANY REPRODUCTION IN PART OR AS A WHOLE WITHOUT THE WRITTEN PERMISSION OF HARDWARE RESOURCES INC. IS PROHIBITED.	ITEM#: SA-COVER	MATERIAL:
	FINISH:	WEIGHT: 9
	TOLERANCE UNLESS OTHERWISE SPECIFIED: X ±0.20 X.X ±0.10 X.XX ±0.05 ANGULAR: ±0.5° DO NOT SCALE DRAWING	PROJECTION 
	UNITS:	DRAWN BY: <i>Alan Liu</i>
SIZE: A4	APPROVED BY:	DATE:
SHEET:	RELEASE LEVEL:	REVISION:

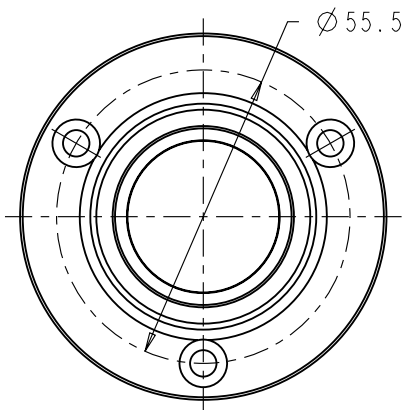


SECTION A-A

	ITEM:	CONNECTOR		MATERIAL:	ZINC	
	FINISH:			WEIGHT:	236.00 g	
<p>PROPRIETARY AND CONFIDENTIAL</p> <p>THE INFORMATION CONTAINED IN THIS DRAWING IS THE SOLE PROPERTY OF HARDWARE RESOURCES INC. ANY REPRODUCTION IN PART OR AS A WHOLE WITHOUT THE WRITTEN PERMISSION OF HARDWARE RESOURCES INC. IS PROHIBITED.</p>	TOLERANCE UNLESS OTHERWISE SPECIFIED:		UNITS:	DRAWN BY:	DATE:	
	X ±0.20		MM	<i>Alan Liu</i>		
	X.X ±0.10		SIZE:	A4	APPROVED BY:	DATE:
	X.XX ±0.05		SHEET:		RELEASE LEVEL:	REVISION:
ANGULAR: ±0.5°		DO NOT SCALE DRAWING				

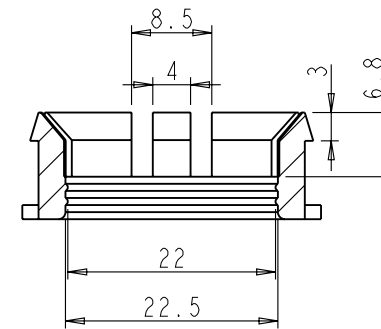
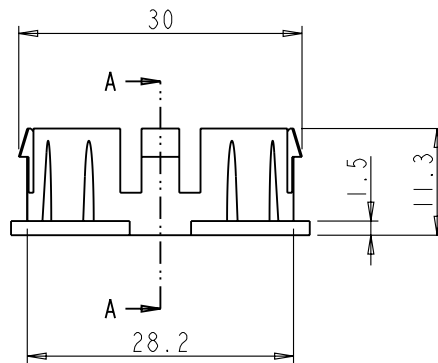
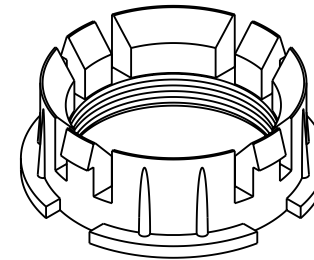
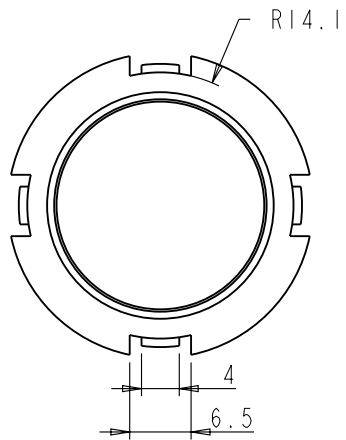


DETAIL A
SCALE 3:2

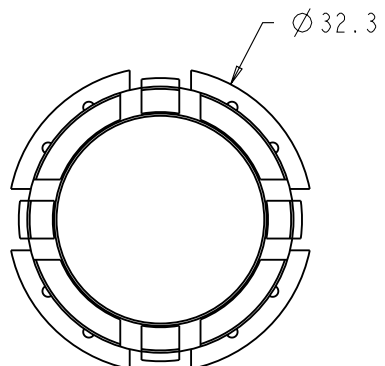


SECTION A-A

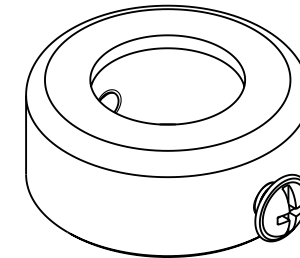
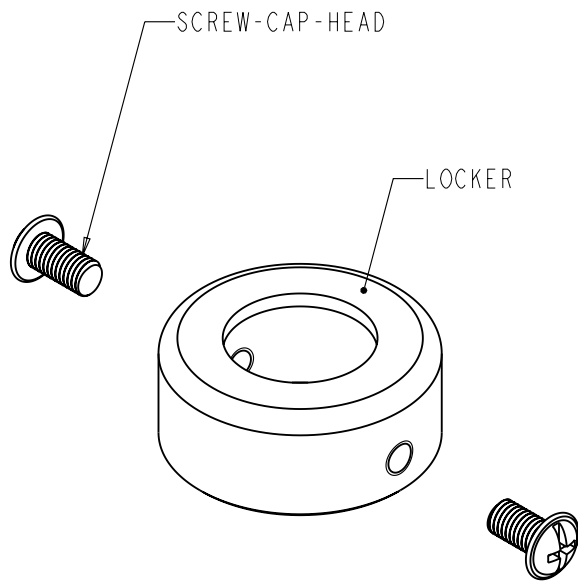
<p>PROPRIETARY AND CONFIDENTIAL</p> <p>THE INFORMATION CONTAINED IN THIS DRAWING IS THE SOLE PROPERTY OF HARDWARE RESOURCES INC. ANY REPRODUCTION IN PART OR AS A WHOLE WITHOUT THE WRITTEN PERMISSION OF HARDWARE RESOURCES INC. IS PROHIBITED.</p> <p>DO NOT SCALE DRAWING</p>	ITEM:	COVER		MATERIAL:	ZINC
	FINISH:			WEIGHT:	136.50 g
	TOLERANCE UNLESS OTHERWISE SPECIFIED:	UNITS:	MM	DRAWN BY:	<i>Alan Liu</i>
	SIZE:	A4	APPROVED BY:	DATE:	
ANGULAR: ±0.5°	SHEET:	RELEASE LEVEL:	REVISION:		




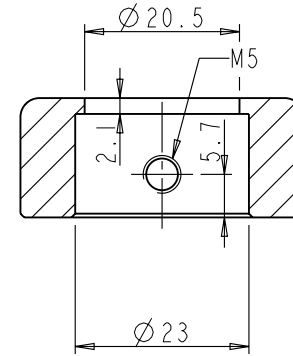
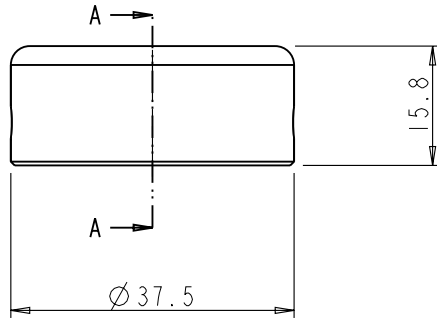
SECTION A-A



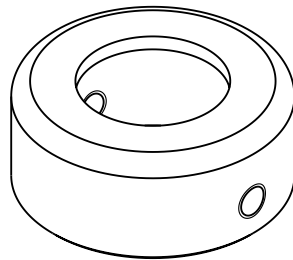
	ITEM#: WASHER		MATERIAL: PA		
	FINISH:		WEIGHT: 2.90 g		
PROPRIETARY AND CONFIDENTIAL THE INFORMATION CONTAINED IN THIS DRAWING IS THE SOLE PROPERTY OF HARDWARE RESOURCES INC. ANY REPRODUCTION IN PART OR AS A WHOLE WITHOUT THE WRITTEN PERMISSION OF HARDWARE RESOURCES INC. IS PROHIBITED.	TOLERANCE UNLESS OTHERWISE SPECIFIED:		UNITS: MM	DRAWN BY: <i>Alan Liu</i>	
	X ±0.20 X.X ±0.10 X.XX ±0.05 ANGULAR: ±0.5°		SIZE: A4	DATE:	
	DO NOT SCALE DRAWING		SHEET:	APPROVED BY:	DATE:
			RELEASE LEVEL:	REVISION:	




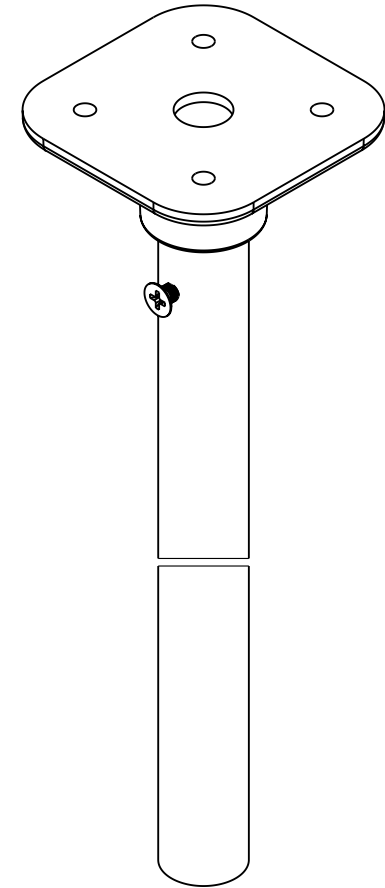
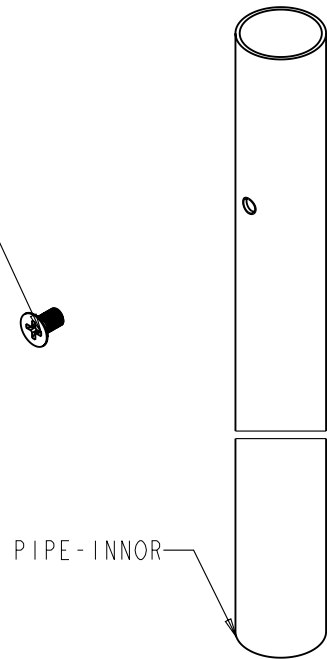
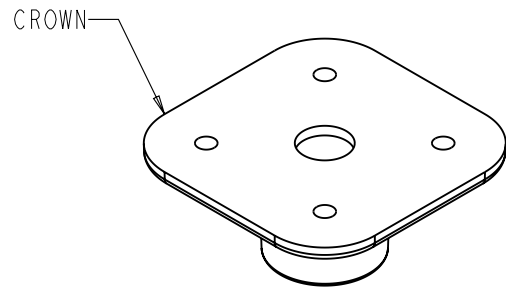
 PROPRIETARY AND CONFIDENTIAL THE INFORMATION CONTAINED IN THIS DRAWING IS THE SOLE PROPERTY OF HARDWARE RESOURCES INC. ANY REPRODUCTION IN PART OR AS A WHOLE WITHOUT THE WRITTEN PERMISSION OF HARDWARE RESOURCES INC. IS PROHIBITED. DO NOT SCALE DRAWING	ITEM#: SA-LOCKER		MATERIAL:		
	FINISH:		WEIGHT: 9		
	TOLERANCE UNLESS OTHERWISE SPECIFIED: X ±0.20 X.X ±0.10 X.XX ±0.05 ANGULAR: ±0.5°		UNITS:	DRAWN BY: <i>Alan Liu</i>	DATE:
	SIZE: A4		APPROVED BY:	DATE:	
SHEET:		RELEASE LEVEL:	REVISION:		


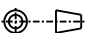


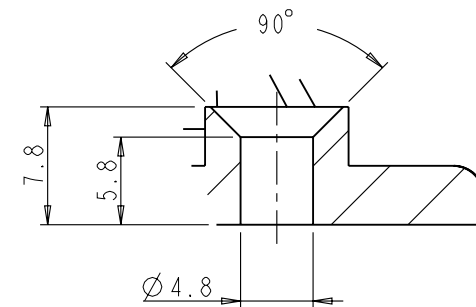
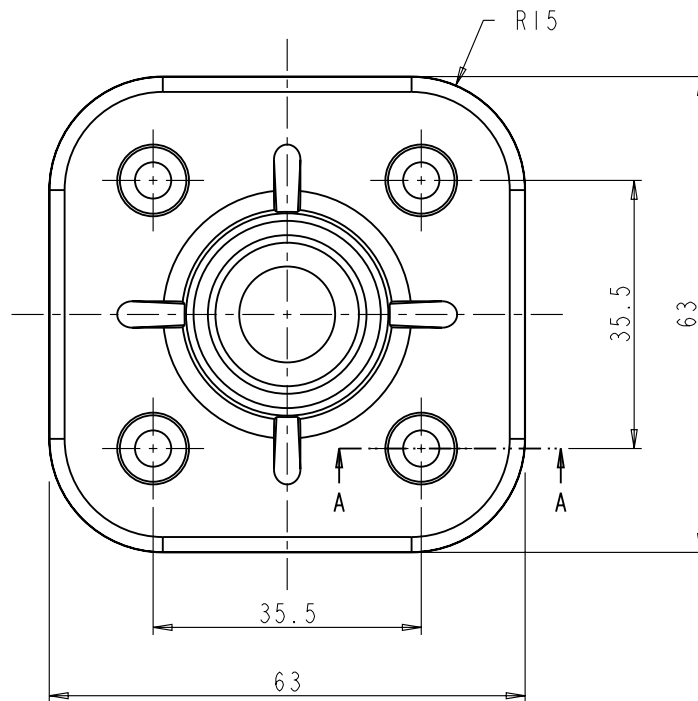
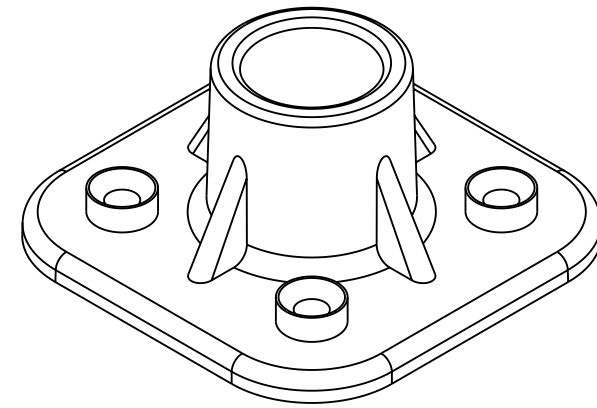
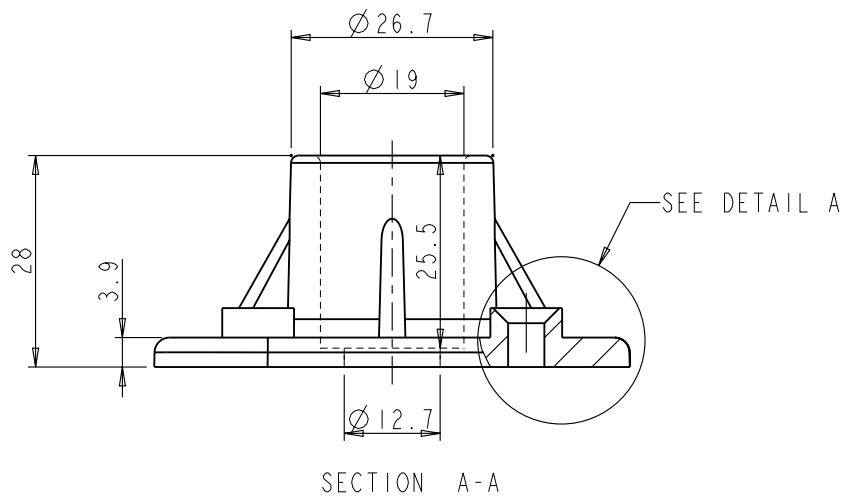
SECTION A-A



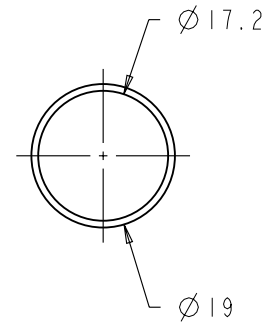
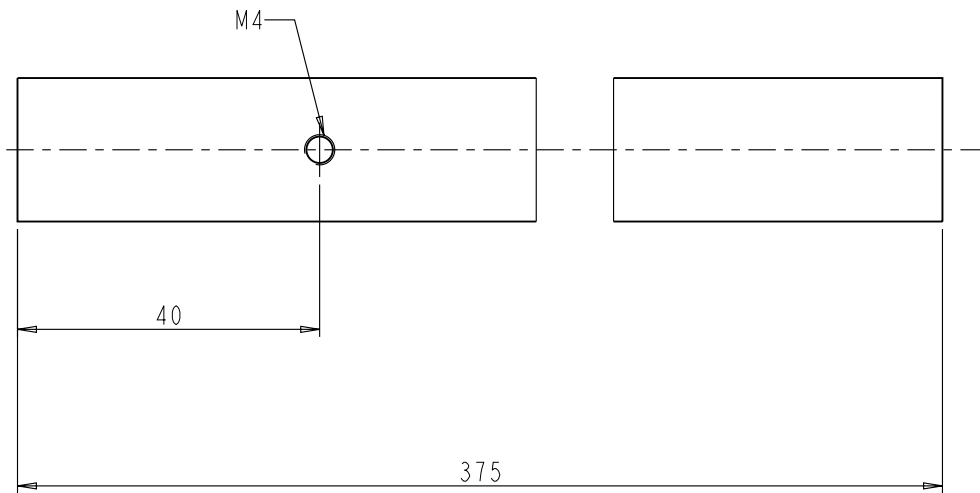
	ITEM#: LOCKER		MATERIAL: STEEL		
	FINISH:		WEIGHT: 83.00 g		
<p>PROPRIETARY AND CONFIDENTIAL</p> <p>THE INFORMATION CONTAINED IN THIS DRAWING IS THE SOLE PROPERTY OF HARDWARE RESOURCES INC. ANY REPRODUCTION IN PART OR AS A WHOLE WITHOUT THE WRITTEN PERMISSION OF HARDWARE RESOURCES INC. IS PROHIBITED.</p>	TOLERANCE UNLESS OTHERWISE SPECIFIED:		UNITS: MM	DRAWN BY: <i>Alan Liu</i>	
	X ± 0.20 X.X ± 0.10 X.XX ± 0.05 ANGULAR: $\pm 0.5^\circ$		SIZE: A4	DATE:	
	DO NOT SCALE DRAWING		SHEET:	APPROVED BY:	DATE:
			RELEASE LEVEL:	REVISION:	


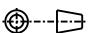


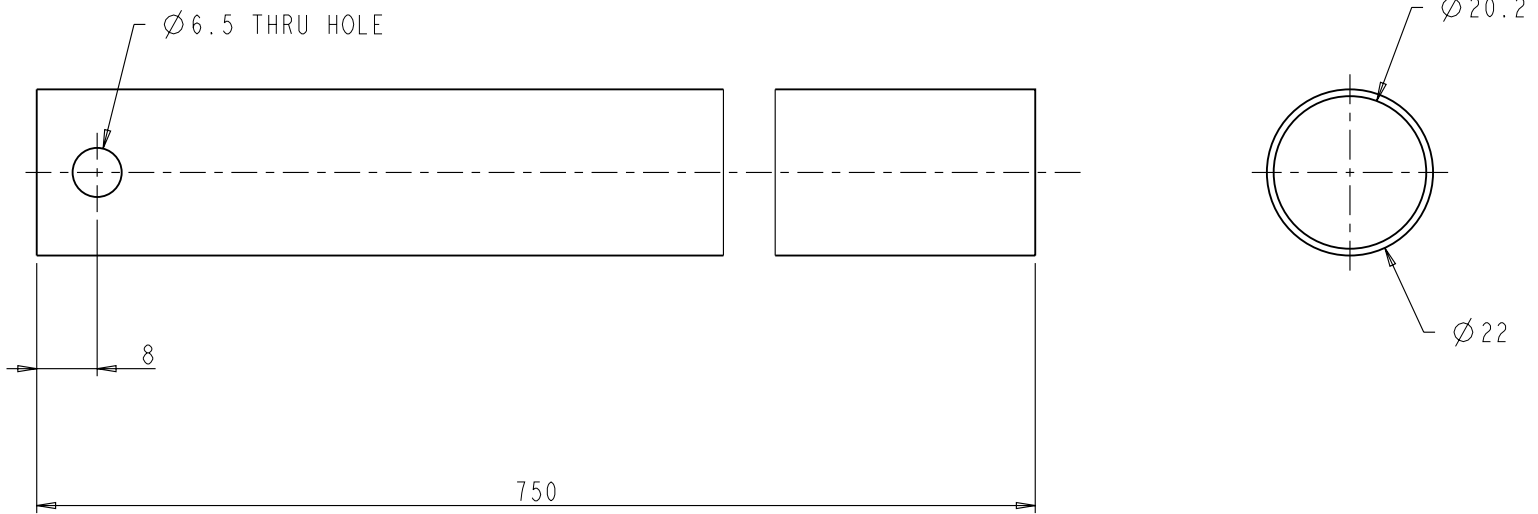
 PROPRIETARY AND CONFIDENTIAL THE INFORMATION CONTAINED IN THIS DRAWING IS THE SOLE PROPERTY OF HARDWARE RESOURCES INC. ANY REPRODUCTION IN PART OR AS A WHOLE WITHOUT THE WRITTEN PERMISSION OF HARDWARE RESOURCES INC. IS PROHIBITED. DO NOT SCALE DRAWING	ITEM#: SA - INNER-PIPE	MATERIAL:
	FINISH:	WEIGHT: 9
	TOLERANCE UNLESS OTHERWISE SPECIFIED: X ±0.20 X.X ±0.10 X.XX ±0.05 ANGULAR: ±0.5°	PROJECTION 
	UNITS:	DRAWN BY: <i>Alan Liu</i>
SIZE: A4	APPROVED BY:	DATE:
SHEET:	RELEASE LEVEL:	REVISION:


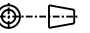


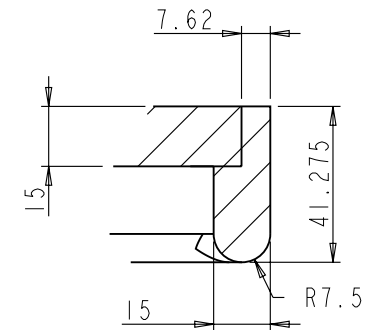
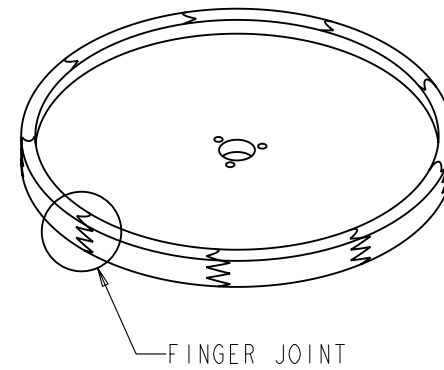
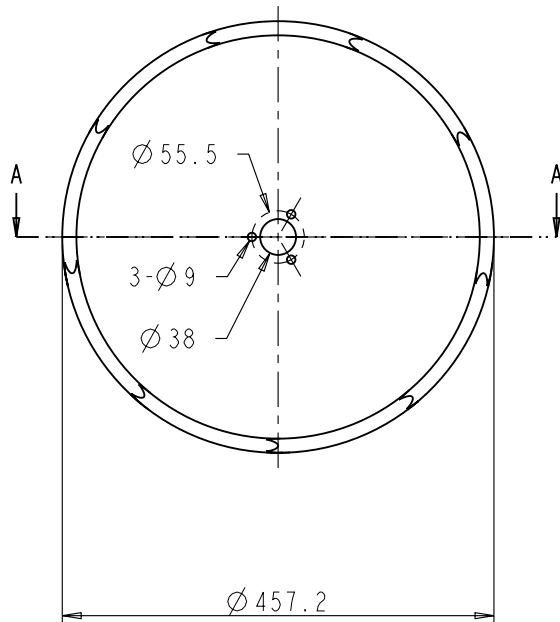
	ITEM#: CROWN		MATERIAL: ABS	
	FINISH:		WEIGHT: 23.30 g	
PROPRIETARY AND CONFIDENTIAL THE INFORMATION CONTAINED IN THIS DRAWING IS THE SOLE PROPERTY OF HARDWARE RESOURCES INC. ANY REPRODUCTION IN PART OR AS A WHOLE WITHOUT THE WRITTEN PERMISSION OF HARDWARE RESOURCES INC. IS PROHIBITED.	TOLERANCE UNLESS OTHERWISE SPECIFIED:		UNITS: MM	DRAWN BY: <i>Alan Liu</i>
	X ±0.20		SIZE: A4	DATE:
	X.X ±0.10		SHEET:	APPROVED BY:
	X.XX ±0.05		RELEASE LEVEL:	REVISION:
ANGULAR: ±0.5°		DO NOT SCALE DRAWING		



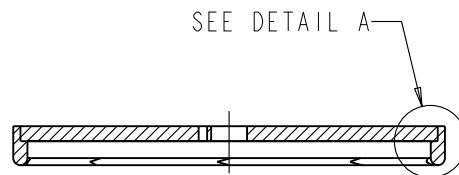
	ITEM#: PIPE - INNOR		MATERIAL: STEEL	
	FINISH:		WEIGHT: 149.62 g	
<p>PROPRIETARY AND CONFIDENTIAL</p> <p>THE INFORMATION CONTAINED IN THIS DRAWING IS THE SOLE PROPERTY OF HARDWARE RESOURCES INC. ANY REPRODUCTION IN PART OR AS A WHOLE WITHOUT THE WRITTEN PERMISSION OF HARDWARE RESOURCES INC. IS PROHIBITED.</p> <p>DO NOT SCALE DRAWING</p>	PROJECTION 		DRAWN BY: <i>Alan Liu</i>	
	TOLERANCE UNLESS OTHERWISE SPECIFIED: X ±0.20 X.X ±0.10 X.XX ±0.05 ANGULAR: ±0.5°		UNITS: MM	DATE:
	SIZE: A4		APPROVED BY:	DATE:
	SHEET:		RELEASE LEVEL:	REVISION:



	ITEM#: PIPE-OUTER		MATERIAL: STEEL	
	FINISH:		WEIGHT: 348.53 g	
<p>PROPRIETARY AND CONFIDENTIAL</p> <p>THE INFORMATION CONTAINED IN THIS DRAWING IS THE SOLE PROPERTY OF HARDWARE RESOURCES INC. ANY REPRODUCTION IN PART OR AS A WHOLE WITHOUT THE WRITTEN PERMISSION OF HARDWARE RESOURCES INC. IS PROHIBITED.</p> <p>DO NOT SCALE DRAWING</p>	PROJECTION 		DATE:	
	TOLERANCE UNLESS OTHERWISE SPECIFIED:	UNITS: MM	DRAWN BY: <i>Alan Liu</i>	
	I ±0.20 I.I ±0.10 I.II ±0.05 ANGULAR: ±0.5°	SIZE: A4	APPROVED BY:	
	SHEET:		RELEASE LEVEL:	REVISION:



DETAIL A
SCALE 1:2



SECTION A-A

	ITEM#: LSR		MATERIAL: PLY WOOD	
	FINISH:		WEIGHT: 9	
	PROJECTION			
	PROPRIETARY AND CONFIDENTIAL THE INFORMATION CONTAINED IN THIS DRAWING IS THE SOLE PROPERTY OF HARDWARE RESOURCES INC. ANY REPRODUCTION IN PART OR AS A WHOLE WITHOUT THE WRITTEN PERMISSION OF HARDWARE RESOURCES INC. IS PROHIBITED.		TOLERANCE UNLESS OTHERWISE SPECIFIED: X ± 0.20 X.X ± 0.10 X.XX ± 0.05 ANGULAR: $\pm 0.5^\circ$	
DO NOT SCALE DRAWING		UNITS: MM SIZE: A4 SHEET:	DRAWN BY: <i>Alan Liu</i> APPROVED BY:	DATE: DATE: REVISION: