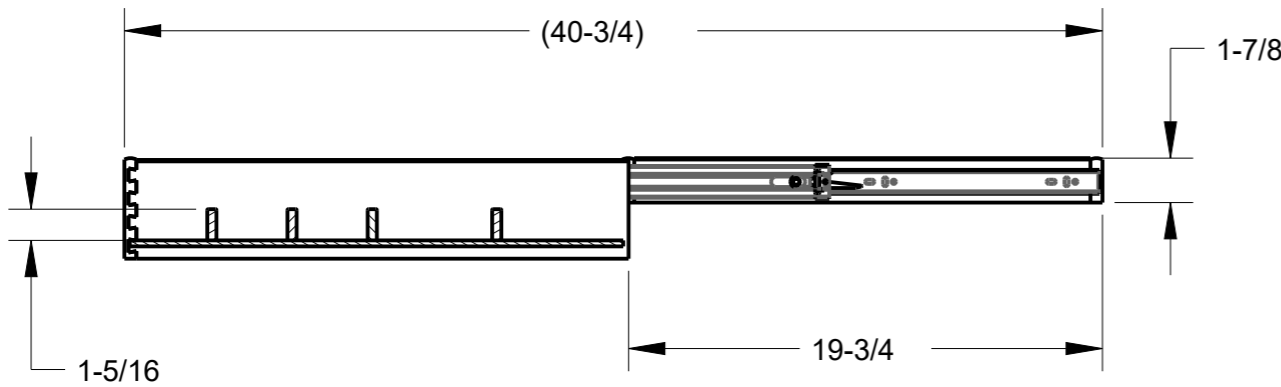
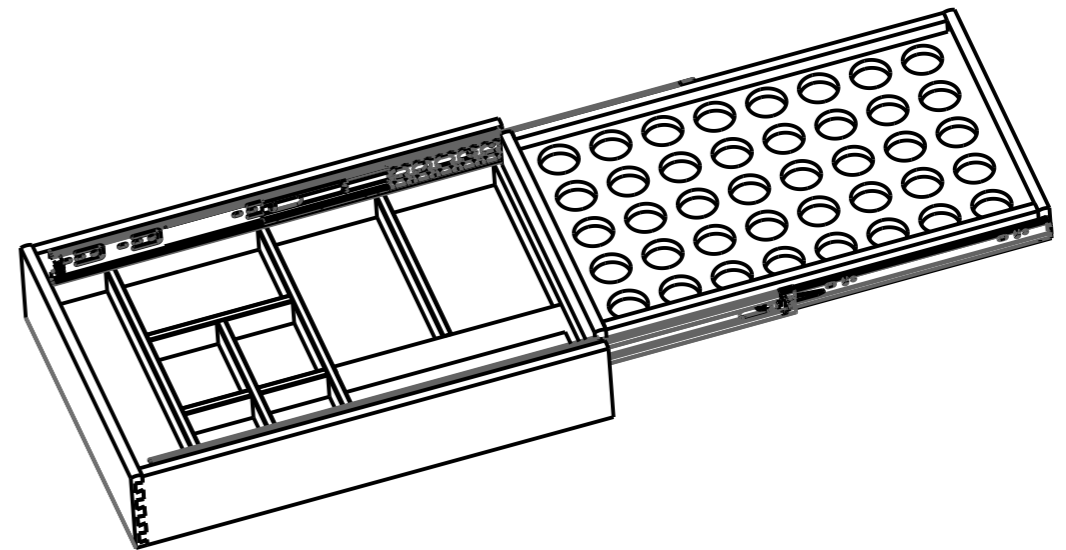
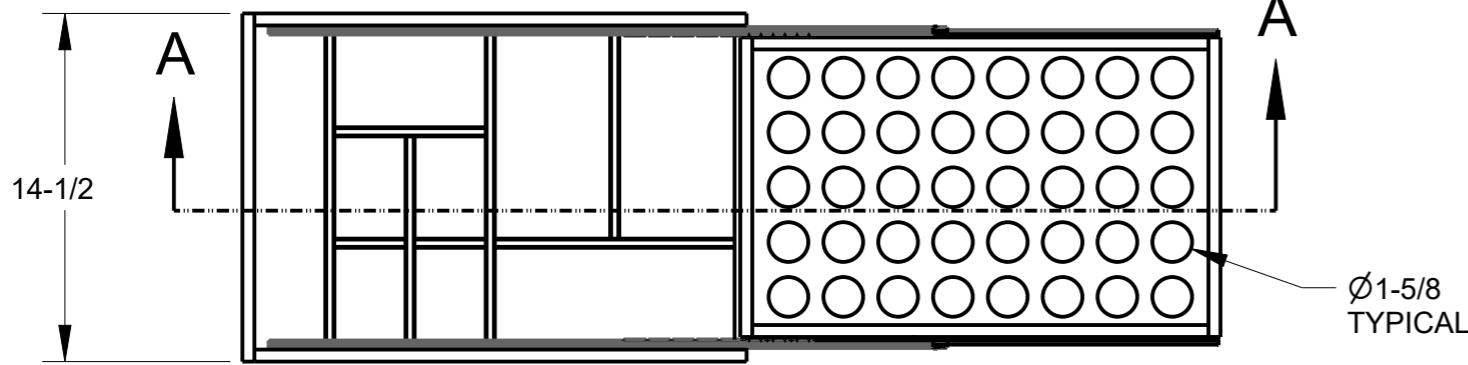
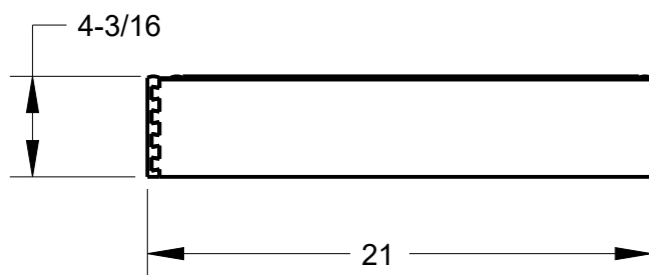


8 7 6 5 4 3 2 1

F
E
D
C
B
A



SECTION A-A



hardware resources

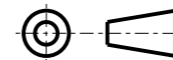
HARDWARE RESOURCES RESERVES THE RIGHT TO CHANGE SPECIFICATIONS WITHOUT NOTICE. IN CASE OF A DISCREPANCY, ACTUAL PART GEOMETRY SUPERSEDES THIS DOCUMENT.

THE INFORMATION CONTAINED WITHIN THIS DRAWING IS THE SOLE PROPERTY OF HARDWARE RESOURCES INC. ANY REPRODUCTION IN PART OR WHOLE WITHOUT WRITTEN PERMISSION OF HARDWARE RESOURCES INC. IS PROHIBITED.

DOCUMENT STATUS **Released**
UNLESS OTHERWISE SPECIFIED DIMENSIONS ARE IN INCHES (IN)

MATERIAL: WHITE BIRCH FINISH: UV COATING

THIRD ANGLE PROJECTION DATE: 23MAY2023



DESCRIPTION
DOUBLE COFFEE DRAWER, WIDTH 15 INCH

DRAWING NUMBER KNCD15		REV A
SIZE A3	SCALE 0.125	SHEET 1 / 1

8 7 6 5 4 3 2 1