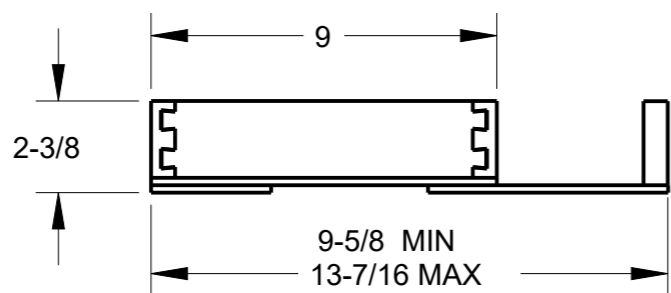
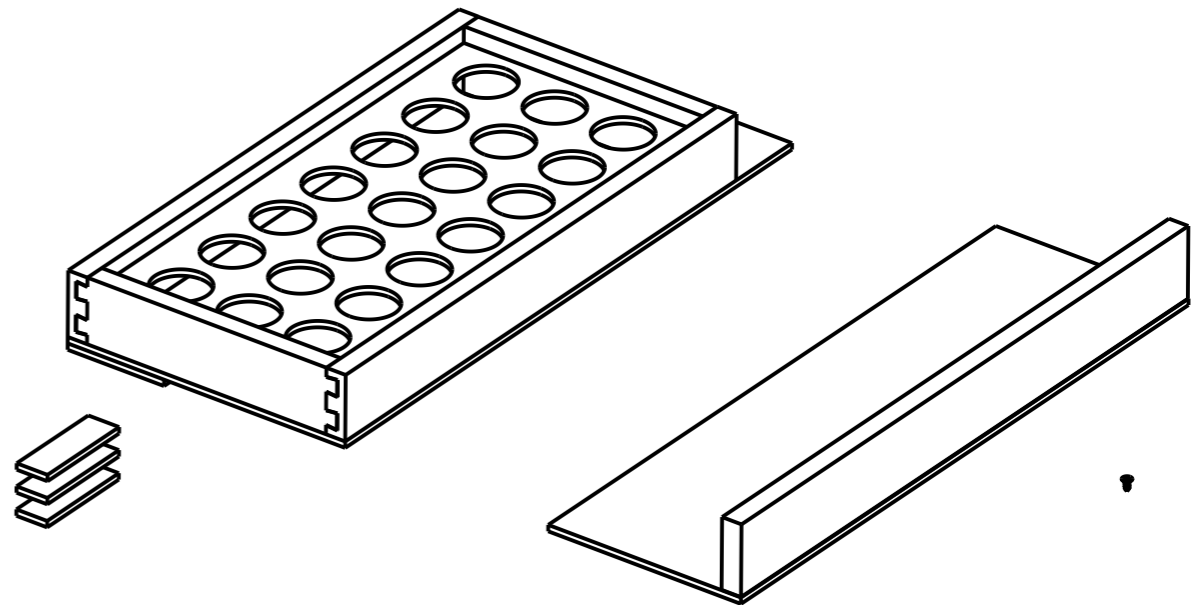
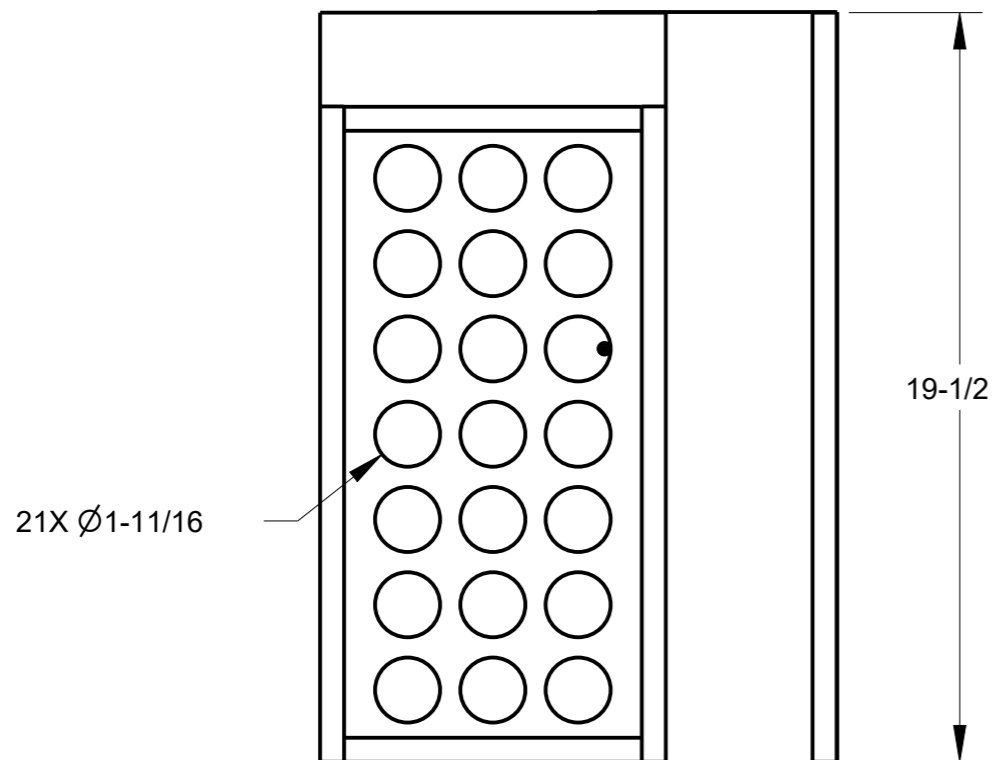


8 7 6 5 4 3 2 1

F
E
D
C
B
A



**hardware
resources**

HARDWARE RESOURCES RESERVES THE RIGHT TO CHANGE SPECIFICATIONS WITHOUT NOTICE. IN CASE OF A DISCREPANCY, ACTUAL PART GEOMETRY SUPERSEDES THIS DOCUMENT.

THE INFORMATION CONTAINED WITHIN THIS DRAWING IS THE SOLE PROPERTY OF HARDWARE RESOURCES INC. ANY REPRODUCTION IN PART OR WHOLE WITHOUT WRITTEN PERMISSION OF HARDWARE RESOURCES INC. IS PROHIBITED.

DOCUMENT STATUS **Released**

UNLESS OTHERWISE SPECIFIED DIMENSIONS ARE IN INCHES (IN)

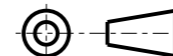
MATERIAL

N/A

FINISH

UV COATING

THIRD ANGLE PROJECTION



DATE

03FEB2023

DESCRIPTION

KCCO15A

DRAWING NUMBER

KCCO15A

REV

B

SIZE
A3

SCALE
0.200

SHEET
1 / 1

8 7 6 5 4 3 2 1