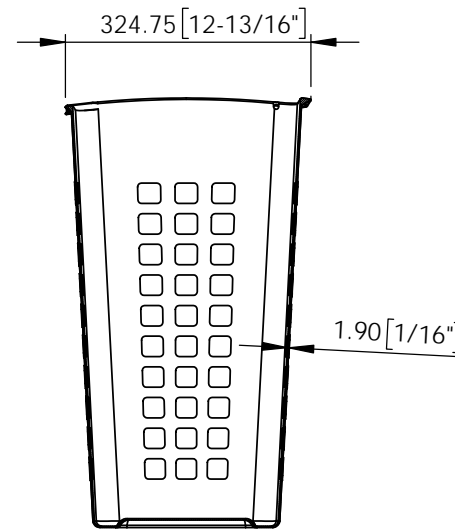
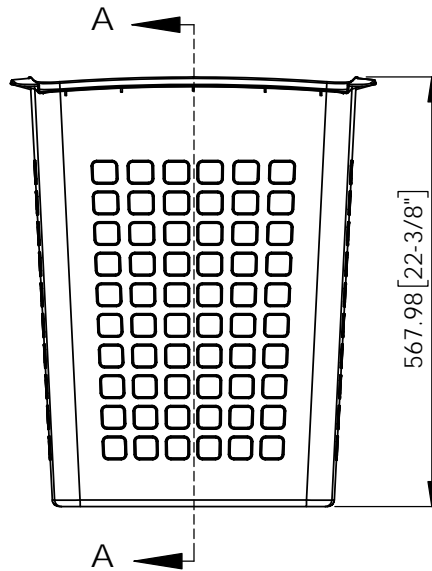
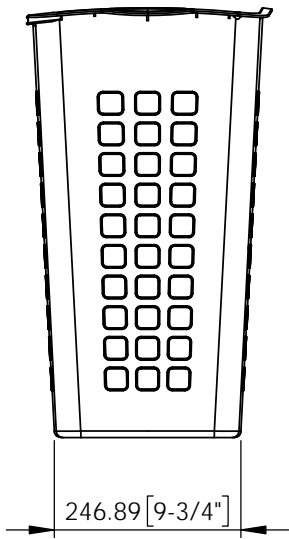
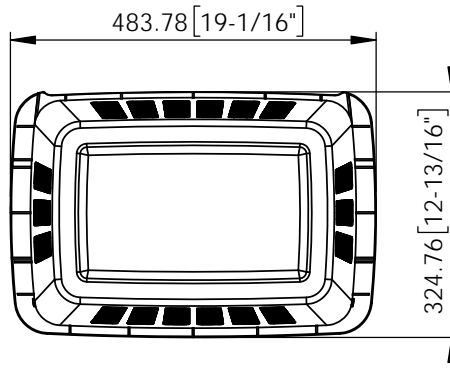
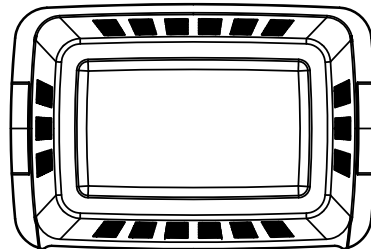
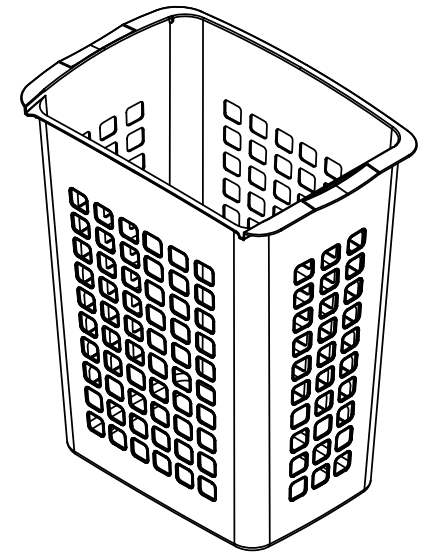


5	bracket	2	
4	HAMPER BASKET TOP	1	
3	HAMPER BASKET BODY	1	
2	frame1	1	
1	303fu141	2	
NO.	ITEM#	QTY	NOTE

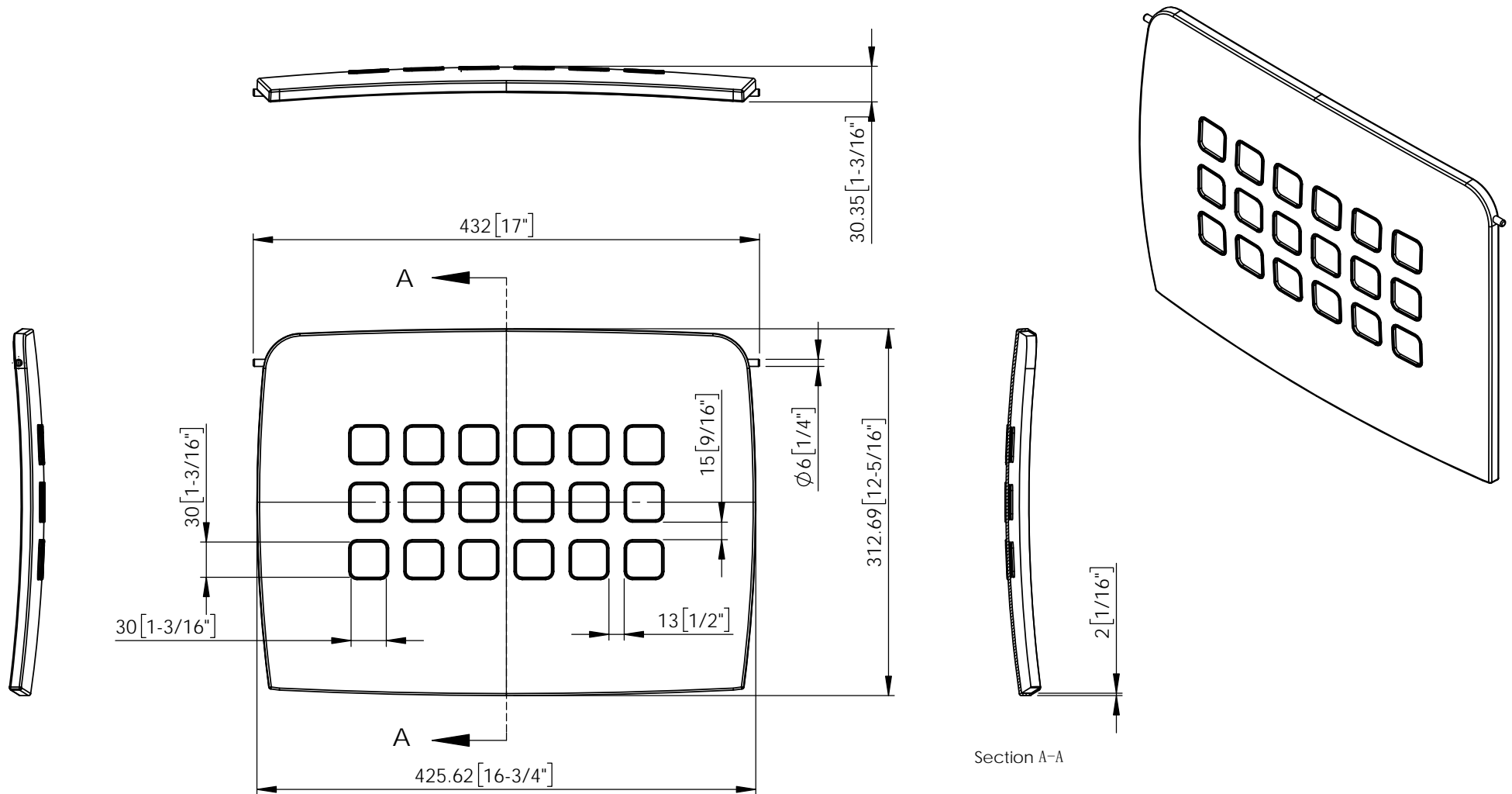
<p>PROPRIETARY AND CONFIDENTIAL THE INFORMATION CONTAINED IN THIS DRAWING IS THE SOLE PROPERTY OF HARDWARE RESOURCES INC. ANY REPRODUCTION IN PART OR AS A WHOLE WITHOUT THE WRITTEN PERMISSION OF HARDWARE RESOURCES INC. IS PROHIBITED.</p>	ITEM#:	HP-BM1412WPC		MATERIAL:
	FINISH:			WEIGHT:
	TOLERANCE UNLESS OTHERWISE SPECIFIED:	UNITS:	DRAWING BY:	DATE:
	x ±0.20 xx ±0.10 xxx ±0.05 ANGULAR: ±0.5°	SHEET:	FINISH:	REVISION:
DO NOT SCALE DRAWING		SHEET: FINISH: REVISION:		DATE: 03-08-16



Section A-A

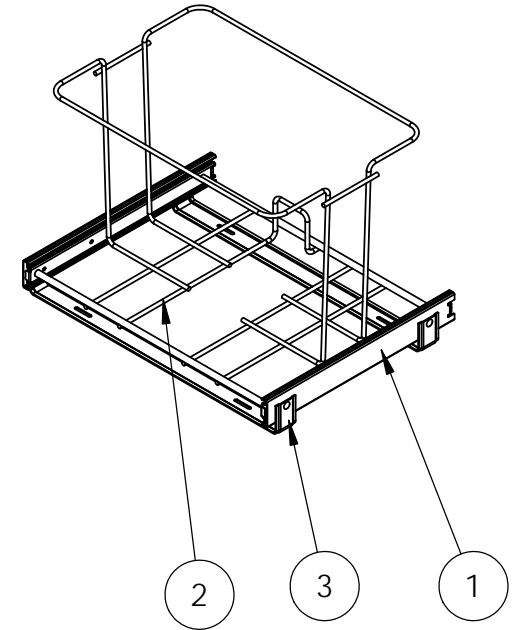
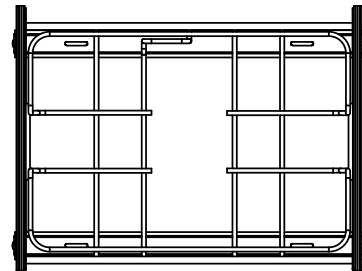
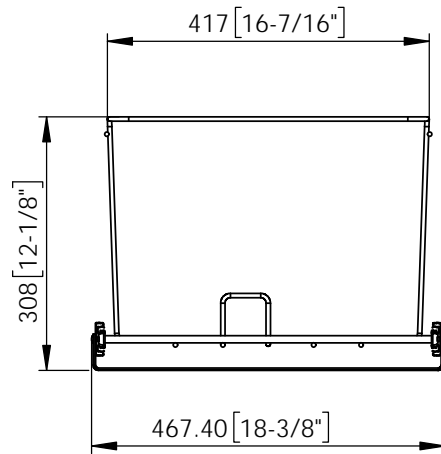
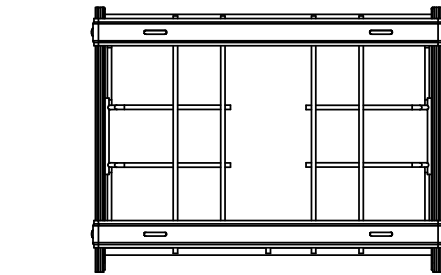
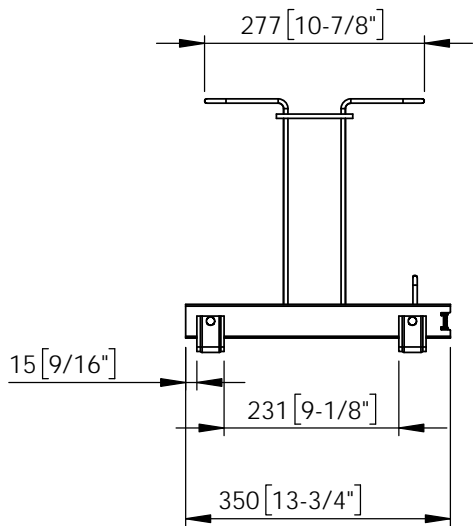


<p>PROPRIETARY AND CONFIDENTIAL</p> <p>THE INFORMATION CONTAINED IN THIS DRAWING IS THE SOLE PROPERTY OF HARDWARE RESOURCES INC. ANY REPRODUCTION IN PART OR AS A WHOLE WITHOUT THE WRITTEN PERMISSION OF HARDWARE RESOURCES INC. IS PROHIBITED.</p>	ITEM#:	basket		MATERIAL:
	FINISH:			WEIGHT:
	TOLERANCE UNLESS OTHERWISE SPECIFIED:	UNITS:	DRAWING BY:	DATE:
	x ±0.20 xx ±0.10 xxx ±0.05 ANGULAR: ±0.5°	SIZE:	FINISH:	DATE:
DO NOT SCALE DRAWING	SHEET:	FINISH:	REVISION:	



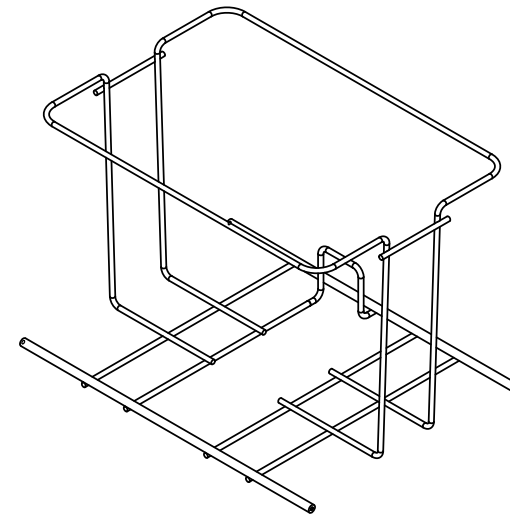
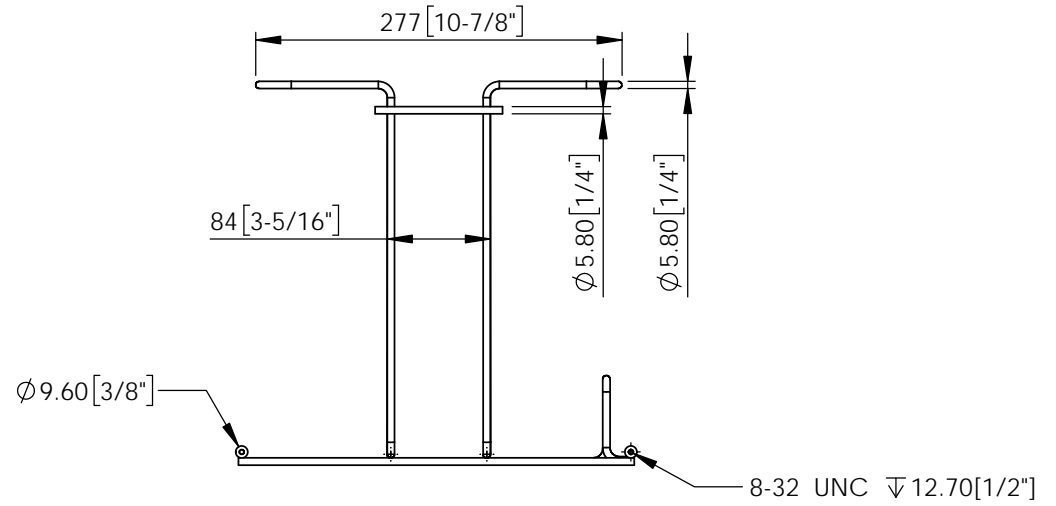
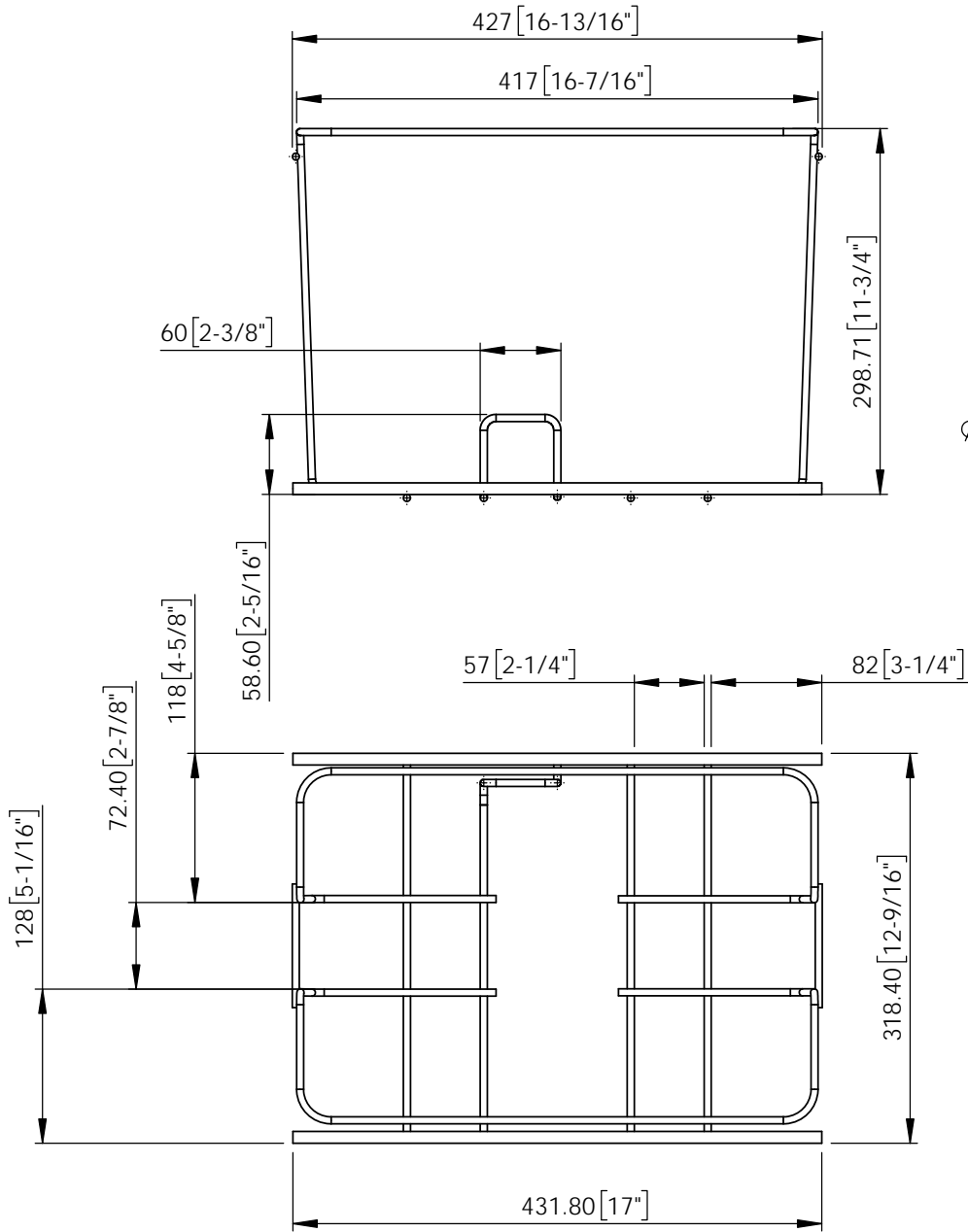
Section A-A

<p>PROPRIETARY AND CONFIDENTIAL</p> <p>THE INFORMATION CONTAINED IN THIS DRAWING IS THE SOLE PROPERTY OF HARDWARE RESOURCES INC. ANY REPRODUCTION IN PART OR AS A WHOLE WITHOUT THE WRITTEN PERMISSION OF HARDWARE RESOURCES INC. IS PROHIBITED.</p>	ITEM#: <b>Top</b>		MATERIAL:		
	FINISH:		WEIGHT:		
	TOLERANCE UNLESS OTHERWISE SPECIFIED:		DRAWING BY: <i>Alexander.w</i>		DATE: <b>11/21/16</b>
	DO NOT SCALE DRAWING		PROJECTION:		DATE:
x ±0.20 xx ±0.10 xxx ±0.05 ANGULAR: ±0.5°	UNITS:	FINISH:	FINISH:	REVISION:	

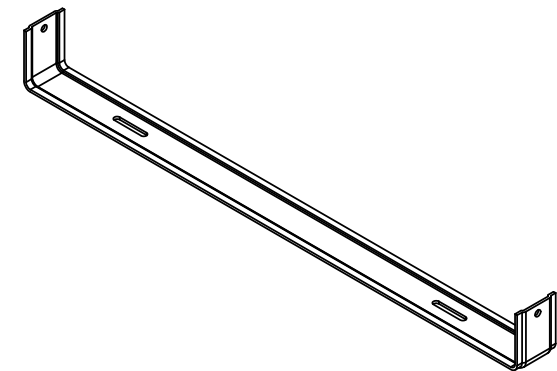
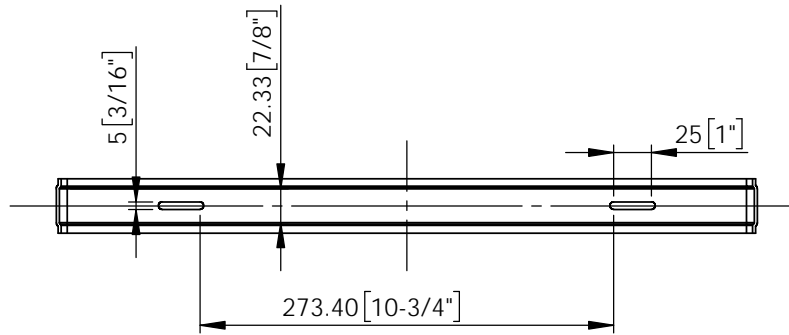
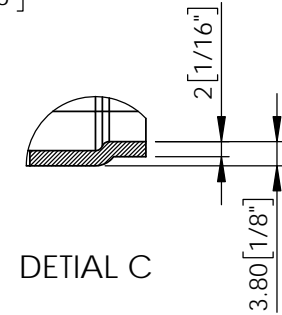
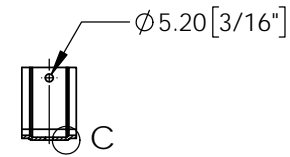
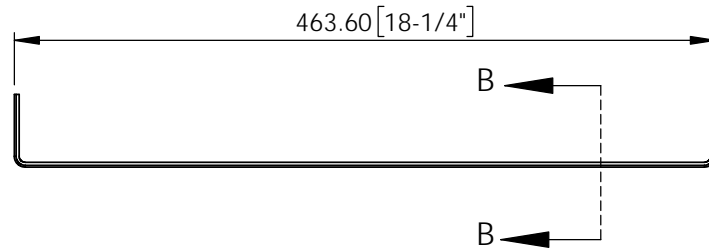
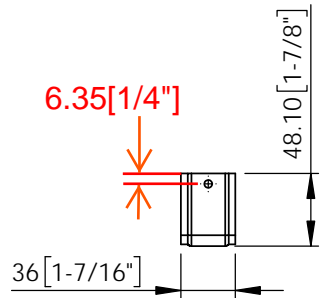


3	bracket	2	
2	frame	1	
1	303fu141	2	
NO.	ITEM#	QTY	NOTE

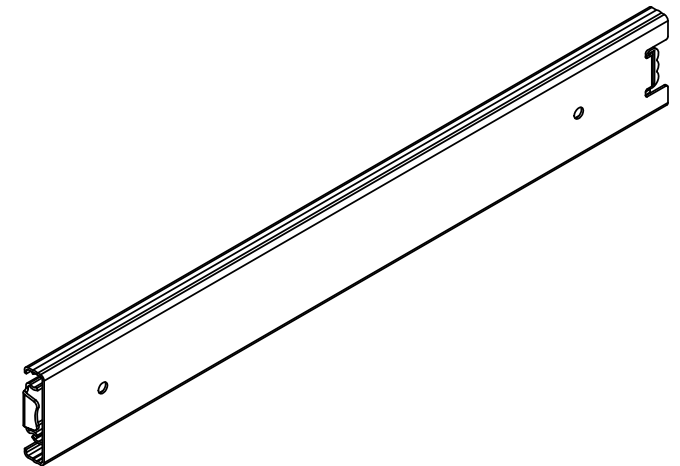
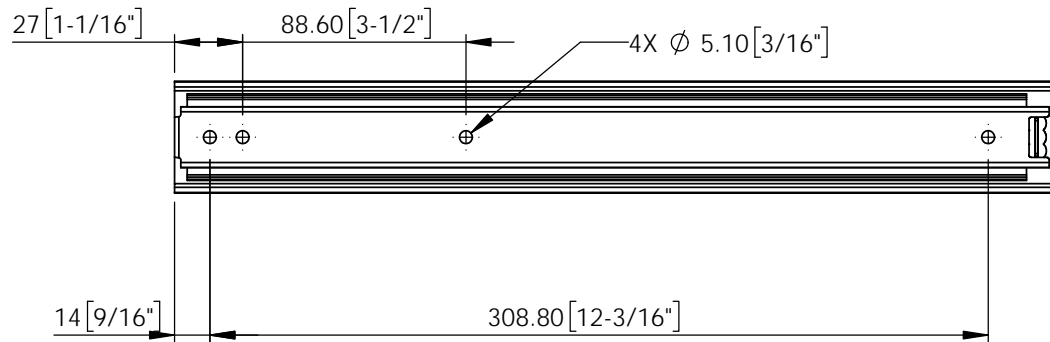
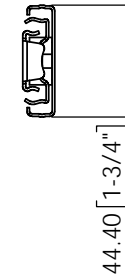
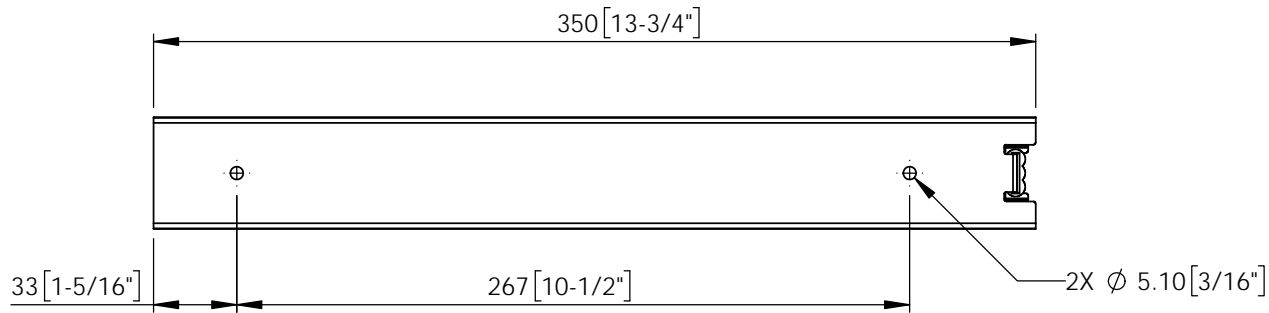
<p>PROPRIETARY AND CONFIDENTIAL THE INFORMATION CONTAINED IN THIS DRAWING IS THE SOLE PROPERTY OF HARDWARE RESOURCES INC. ANY REPRODUCTION IN PART OR AS A WHOLE WITHOUT THE WRITTEN PERMISSION OF HARDWARE RESOURCES INC. IS PROHIBITED.</p>	ITEM#:	HP-BM1424wpc		MATERIAL:
	FINISH:			WEIGHT:
	TOLERANCE UNLESS OTHERWISE SPECIFIED:	UNITS:	DRAWING BY:	DATE:
	x ±0.20 xx ±0.10 xxx ±0.05 ANGULAR: ±0.5°	SHEET: FINISH: REVISION:	Alexander.w FINISH: REVISION:	03-08-16 DATE: REVISION:



<p>PROPRIETARY AND CONFIDENTIAL THE INFORMATION CONTAINED IN THIS DRAWING IS THE SOLE PROPERTY OF HARDWARE RESOURCES INC. ANY REPRODUCTION IN PART OR AS A WHOLE WITHOUT THE WRITTEN PERMISSION OF HARDWARE RESOURCES INC. IS PROHIBITED.</p>	ITEM#: <b>Frame</b>		MATERIAL:		
	FINISH:		WEIGHT:		
	TOLERANCE UNLESS OTHERWISE SPECIFIED: x ±0.20 xx ±0.10 xxx ±0.05 ANGULAR: ±0.5°		UNITS:	DRAWING BY: <i>Alexander.w</i>	DATE: 11/22/16
	DO NOT SCALE DRAWING		SIZE:	FINISH:	DATE:
		SHEET:	FINISH:	REVISION:	



<p>PROPRIETARY AND CONFIDENTIAL THE INFORMATION CONTAINED IN THIS DRAWING IS THE SOLE PROPERTY OF HARDWARE RESOURCES INC. ANY REPRODUCTION IN PART OR AS A WHOLE WITHOUT THE WRITTEN PERMISSION OF HARDWARE RESOURCES INC. IS PROHIBITED.</p>	ITEM#: <b>BRACKET</b>		MATERIAL:		
	FINISH:		WEIGHT:		
	TOLERANCE UNLESS OTHERWISE SPECIFIED: x ±0.20 xx ±0.10 xxx ±0.05 ANGULAR: ±0.5°		UNITS:	DRAWING BY: <i>Alexander.w</i>	DATE: 03-08-16
	DO NOT SCALE DRAWING		SIZE:	FINISH:	DATE:
		SHEET:	FINISH:	REVISION:	



<p>PROPRIETARY AND CONFIDENTIAL</p> <p>THE INFORMATION CONTAINED IN THIS DRAWING IS THE SOLE PROPERTY OF HARDWARE RESOURCES INC. ANY REPRODUCTION IN PART OR AS A WHOLE WITHOUT THE WRITTEN PERMISSION OF HARDWARE RESOURCES INC. IS PROHIBITED.</p>	ITEM#:	303FU-14		MATERIAL:
	FINISH:			WEIGHT:
	TOLERANCE UNLESS OTHERWISE SPECIFIED:	UNITS:	DRAWING BY:	DATE:
	x ±0.20 xx ±0.10 xxx ±0.05 ANGULAR: ±0.5°		Alexander.w	11/22/16
DO NOT SCALE DRAWING	SIZE:	FINISH:	DATE:	REVISION:
	SHEET:	FINISH:		