

13/16 MINIMUM CLEARANCE ABOVE CABINET INTERIOR BASE

FINISHED GOODS TABLE / 完成品表		
ENGINEERING NUMBER 工程料号	HR ITEM NUMBER 海威产品编号	PRODUCT DESCRIPTION / 产品描述
00-01700111-32	HMLS-W-3212	32" HMLS WOOD TRAY SYSTEM
00-01700111-35	HMLS-W-3515	35" HMLS WOOD TRAY SYSTEM
00-01700111-38	HMLS-W-3818	38" HMLS WOOD TRAY SYSTEM

THIRD ANGLE PROJECTION		hardware resources		
MATERIAL N/A	FINISH N/A			
DESCRIPTION HMLS, WOOD TRAY SYSTEM, CUSTOMER SALES DRAWING		DRAWING NUMBER HMLS-W-TTCC	REV A	
DRAWN BY A. CHEN	DATE 31AUG17	SIZE A3	SCALE 0.083	SHEET 1 / 5
DESIGNED BY A. CHEN	DATE 25JUL17			
APPROVED BY R. LAIRD	DATE 31AUG17			

DOCUMENT STATUS Released

HARDWARE RESOURCES RESERVES THE RIGHT TO CHANGE SPECIFICATIONS WITHOUT NOTICE. IN CASE OF A DISCREPANCY, ACTUAL PART GEOMETRY SUPERSEDES THIS DOCUMENT.

THE INFORMATION CONTAINED WITHIN THIS DRAWING IS THE SOLE PROPERTY OF HARDWARE RESOURCES INC. ANY REPRODUCTION IN PART OR WHOLE WITHOUT WRITTEN PERMISSION OF HARDWARE RESOURCES INC. IS PROHIBITED.

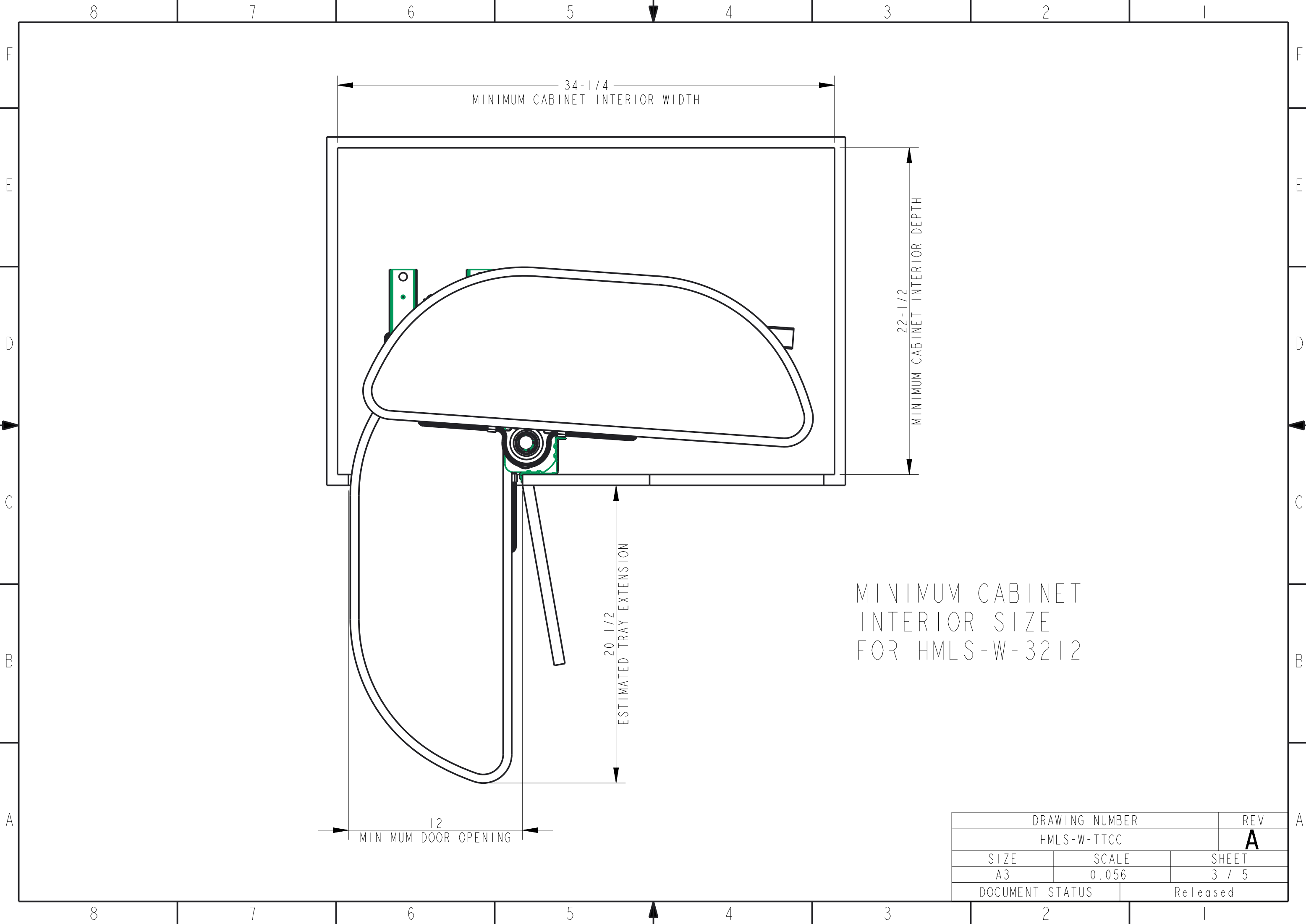
PRE-ASSEMBLED
WOOD TRAY, SLIDE,
AND CASTING BRACKET
SUB-ASSEMBLY

PRE-ASSEMBLED SELF-ALIGNING
UPPER HUB SUPPORT BRACKET SUB-ASSEMBLY

PRE-ASSEMBLED POLE AND END CAPS

PRE-ASSEMBLED SELF-ALIGNING
LOWER HUB SUPPORT BRACKET SUB-ASSEMBLY

DRAWING NUMBER		REV
HMLS-W-TTCC		A
SIZE	SCALE	SHEET
A3	0.083	2 / 5
DOCUMENT STATUS		Released



34-1/4
MINIMUM CABINET INTERIOR WIDTH

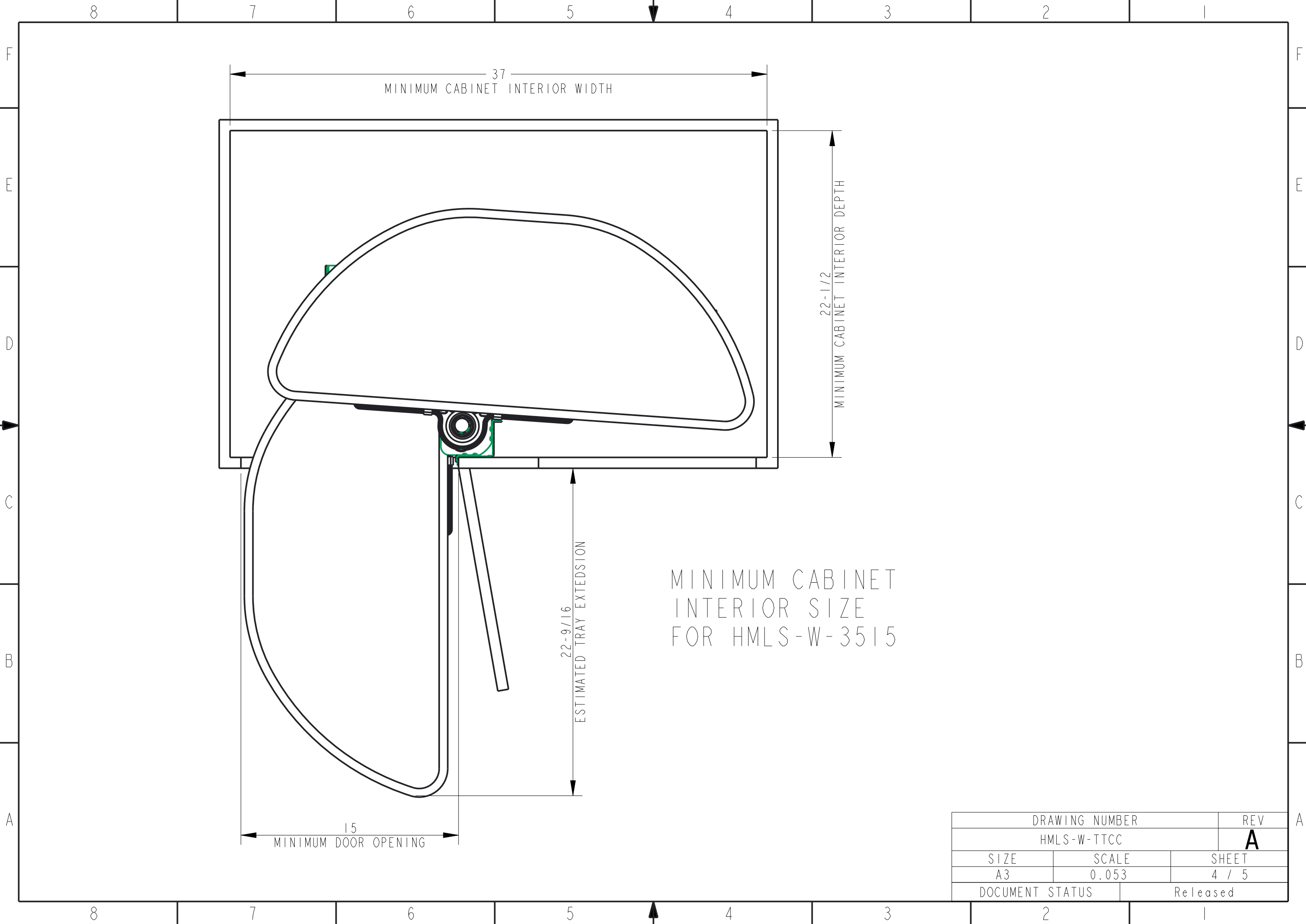
22-1/2
MINIMUM CABINET INTERIOR DEPTH

20-1/2
ESTIMATED TRAY EXTENSION

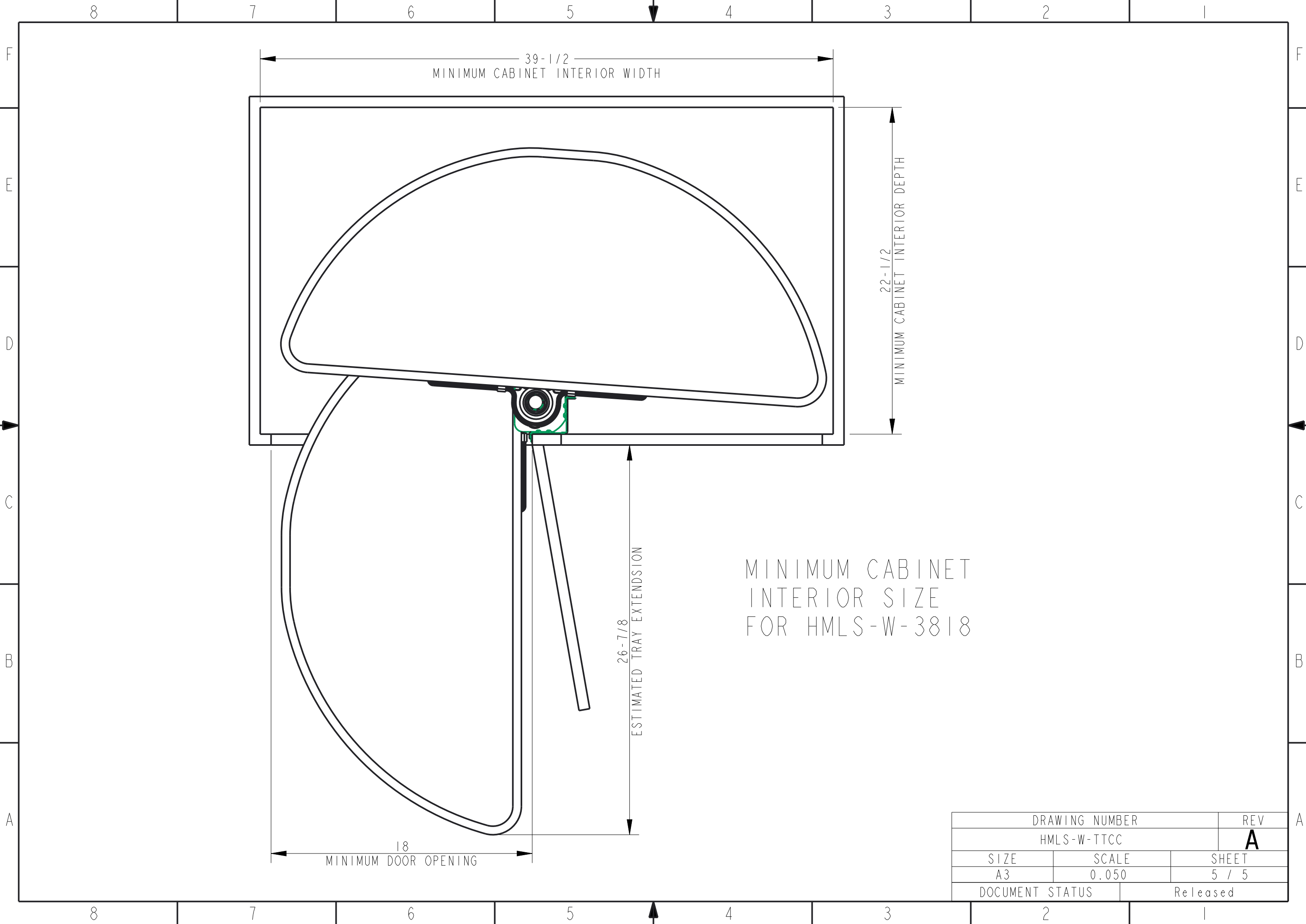
12
MINIMUM DOOR OPENING

MINIMUM CABINET
INTERIOR SIZE
FOR HMLS-W-3212

DRAWING NUMBER		REV
HMLS-W-TTCC		A
SIZE	SCALE	SHEET
A3	0.056	3 / 5
DOCUMENT STATUS		Released



DRAWING NUMBER		REV
HMLS-W-TTCC		A
SIZE	SCALE	SHEET
A3	0.053	4 / 5
DOCUMENT STATUS		Released



DRAWING NUMBER		REV
HMLS-W-TTCC		A
SIZE	SCALE	SHEET
A3	0.050	5 / 5
DOCUMENT STATUS		Released