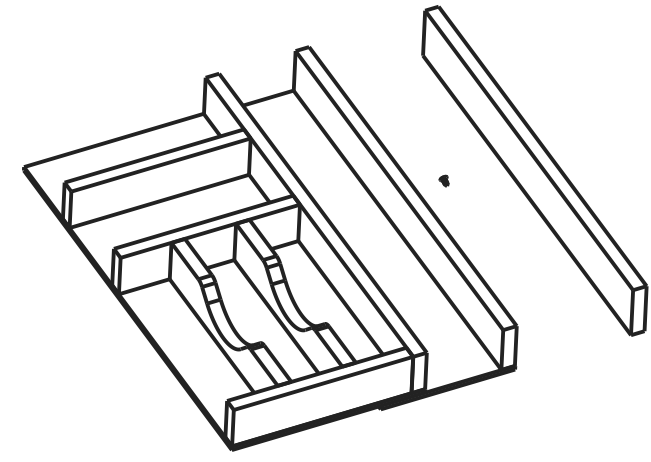
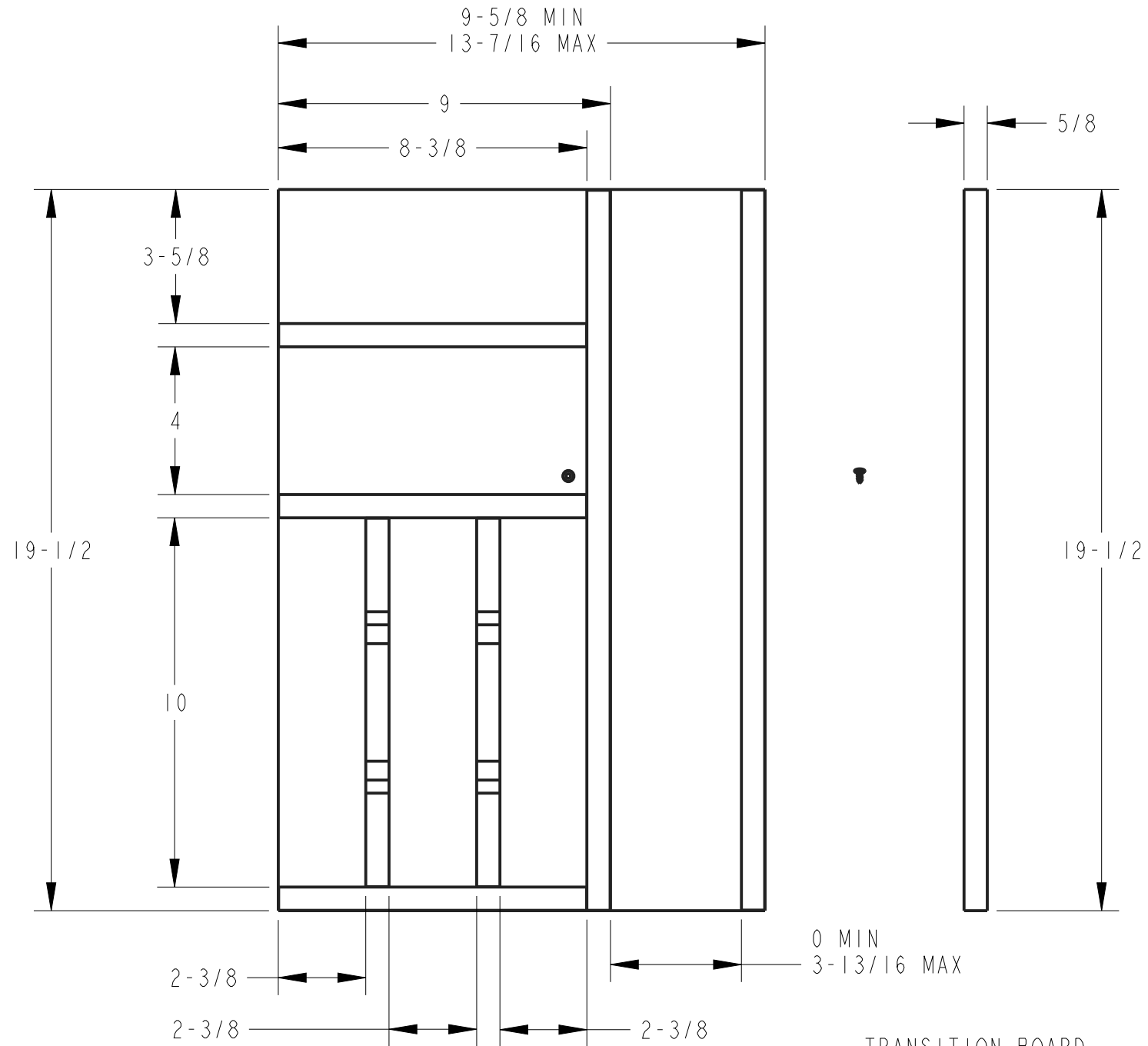


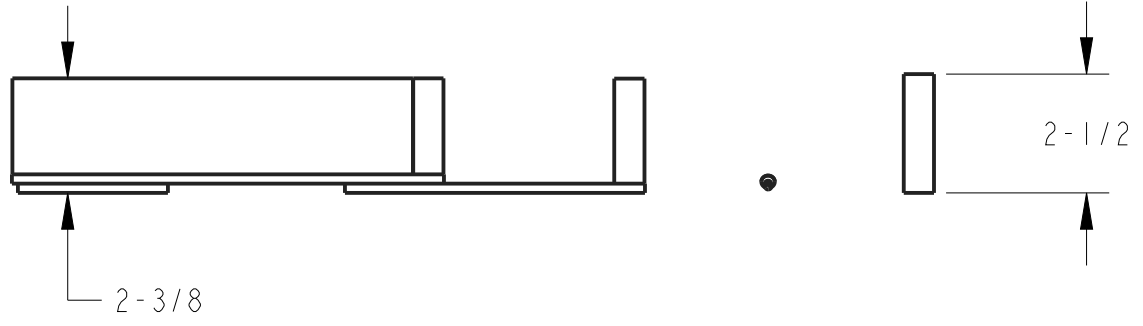
8 7 6 5 4 3 2 1

F
E
D
C
B
A



SCALE 0.125

TRANSITION BOARD
INSTALLATION OPTIONAL



THIRD ANGLE PROJECTION 		hardware resources		
MATERIAL BIRCH & BIRCH PLYWOOD	FINISH UV COATING	DESCRIPTION ADJUSTABLE 15" DROP-IN CUTLERY DRAWER INSERT		
DRAWN BY GREG DAVIS	DATE 19MAR2021	DRAWING DO15A-B18		REV A
DESIGNED BY GREG DAVIS	DATE 19MAR2021	SIZE A3	SCALE 0.250	SHEET 1 / 1
APPROVED BY E.GOLESTANYAN	DATE 25MAR2021			

DOCUMENT STATUS Released

HARDWARE RESOURCES RESERVES THE RIGHT TO CHANGE SPECIFICATIONS WITHOUT NOTICE.
IN CASE OF A DISCREPANCY, ACTUAL PART GEOMETRY SUPERSEDES THIS DOCUMENT.

THE INFORMATION CONTAINED WITHIN THIS DRAWING IS THE SOLE PROPERTY OF HARDWARE RESOURCES INC. ANY REPRODUCTION IN PART OR WHOLE WITHOUT WRITTEN PERMISSION OF HARDWARE RESOURCES INC. IS PROHIBITED.

8 7 6 5 4 3 2 1