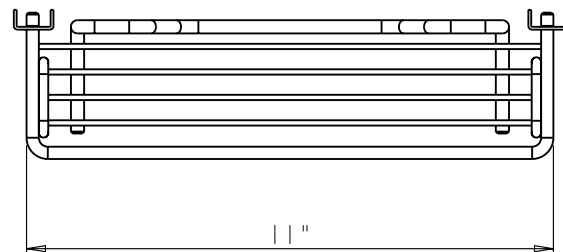
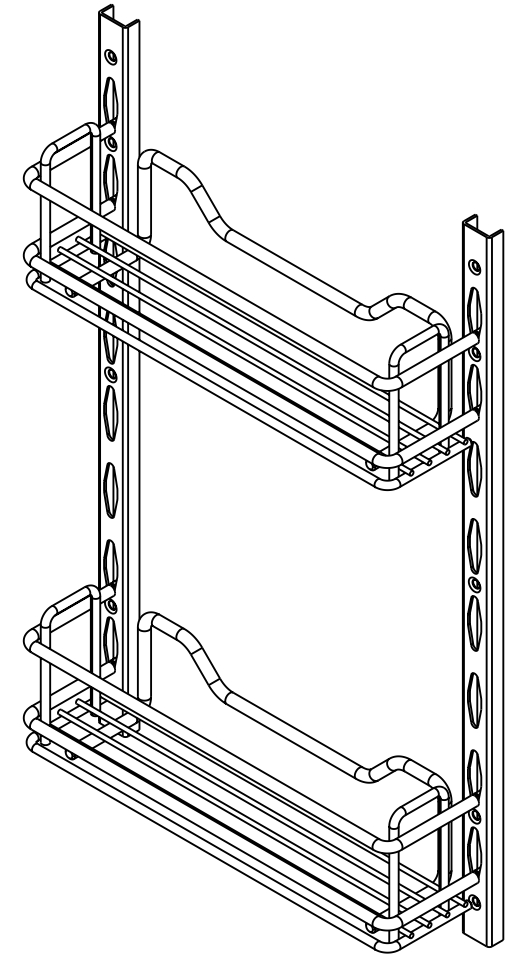
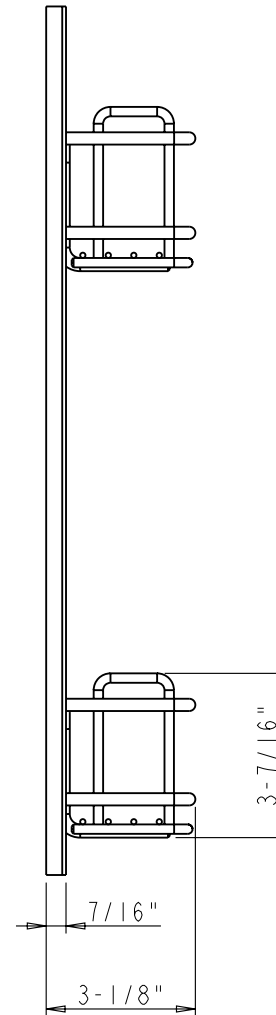
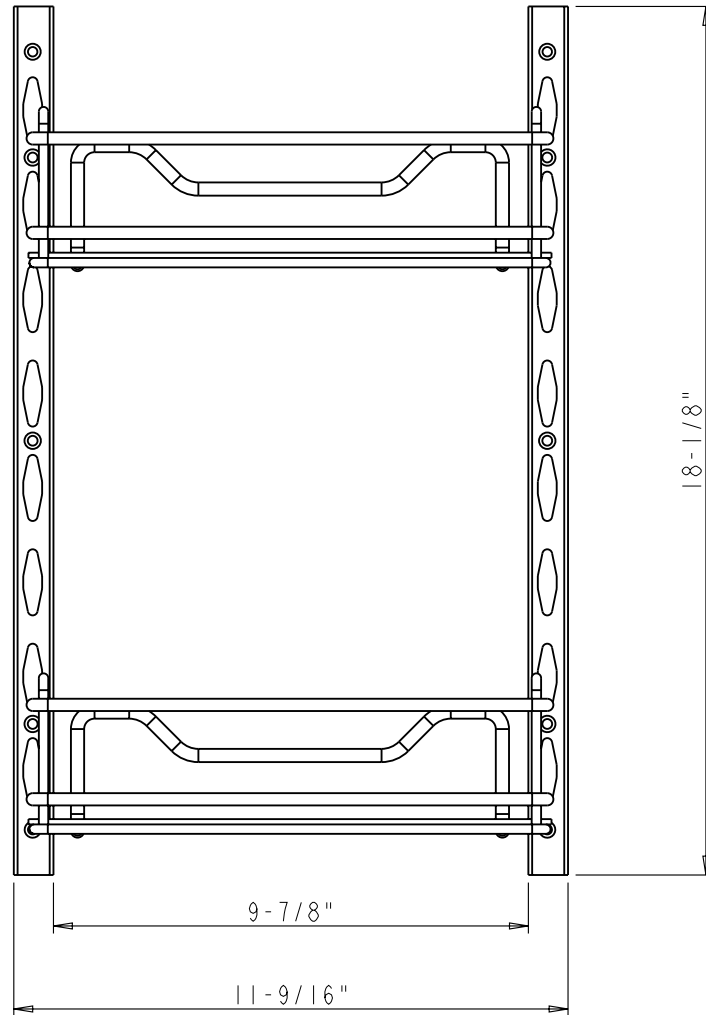


| | | | | | |
|---|---------------------------------------|-----------|----------------|-----------|-------|
| <p>hardware resources</p> <p><small>PROPRIETARY AND CONFIDENTIAL</small></p> <p><small>THE INFORMATION CONTAINED IN THIS DRAWING IS THE SOLE PROPERTY OF HARDWARE RESOURCES INC. ANY REPRODUCTION IN PART OR AS A WHOLE WITHOUT THE WRITTEN PERMISSION OF HARDWARE RESOURCES INC. IS PROHIBITED.</small></p> | ITEM: | DMS3-PC-R | | MATERIAL: | |
| | FINISH: | | | WEIGHT: | |
| | TOLERANCE UNLESS OTHERWISE SPECIFIED: | UNITS: | MM | DRAWN BY: | DATE: |
| | SIZE: | A4 | APPROVED BY: | DATE: | |
| ANGULAR: $\pm 0.5^\circ$ | SHEET: | 1 OF 1 | RELEASE LEVEL: | REVISION: | |
| DO NOT SCALE DRAWING | | | | | |



| | | | | |
|--|---------------------------------------|--------------|-----------|-----------|
| <p>hardware resources</p> <p><small>PROPRIETARY AND CONFIDENTIAL</small></p> <p><small>THE INFORMATION CONTAINED IN THIS DRAWING IS THE SOLE PROPERTY OF HARDWARE RESOURCES INC. ANY REPRODUCTION IN PART OR AS A WHOLE WITHOUT THE WRITTEN PERMISSION OF HARDWARE RESOURCES INC. IS PROHIBITED.</small></p> <p><small>DO NOT SCALE DRAWING</small></p> | ITEM: | DMS3-PC-R | | MATERIAL: |
| | FINISH: | | | WEIGHT: |
| | TOLERANCE UNLESS OTHERWISE SPECIFIED: | UNITS: | DRAWN BY: | DATE: |
| | SIZE: | APPROVED BY: | DATE: | |
| ANGULAR: ±0.5° | RELEASE LEVEL: | REVISION: | | |
| | | | | |