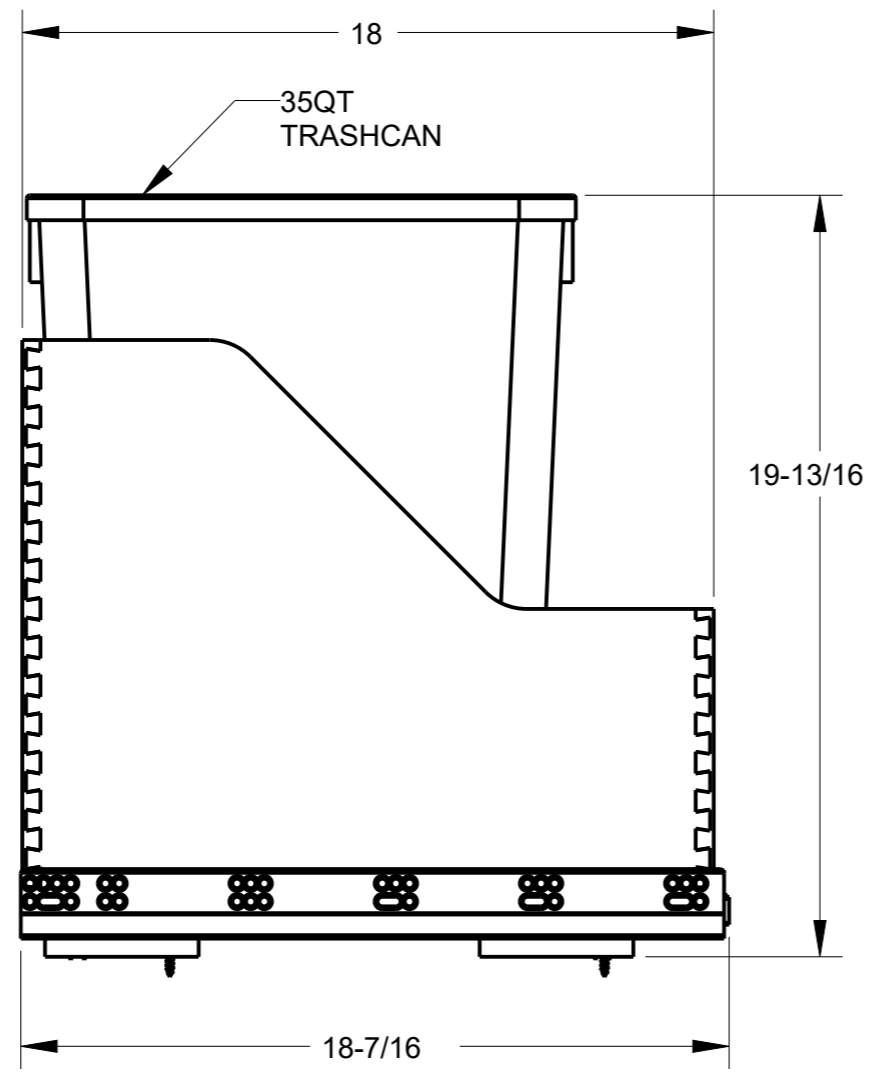
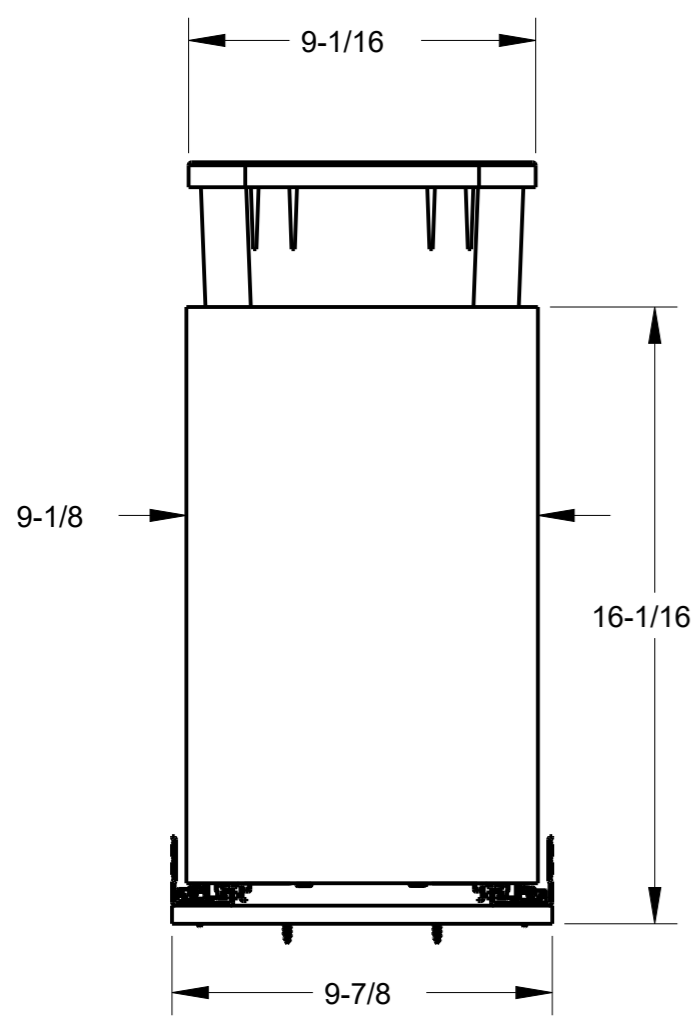
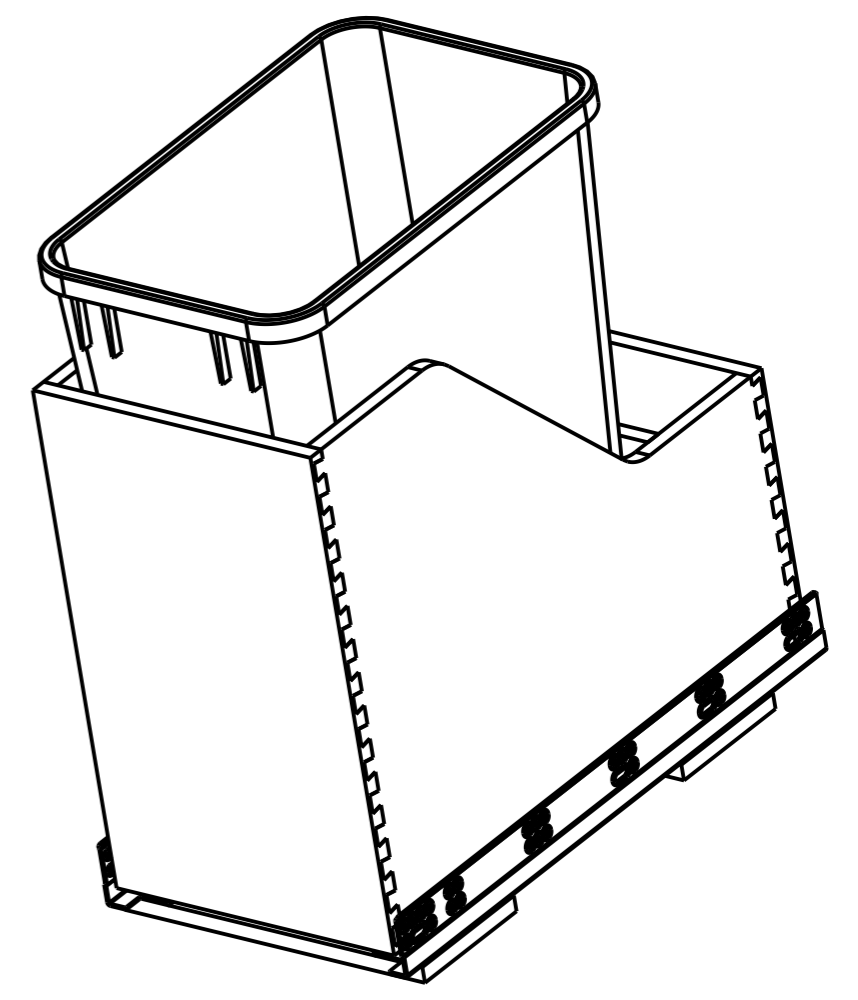
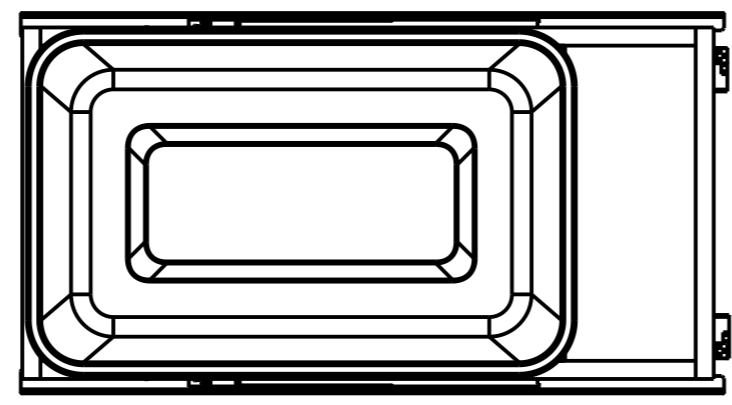


8 7 6 5 4 3 2 1

F E D C B A



| HR ITEM NUMBER | PRODUCT DESCRIPTION |
|----------------|---|
| CAN-WBMS35VB | SINGLE 35QT BOTTOM-MT VANITY TRASH HINGED DOOR PULLOUT, BLACK |
| CAN-WBMS35VWH | SINGLE 35QT BOTTOM-MT VANITY TRASH HINGED DOOR PULLOUT, WHITE |
| CAN-WBMS35VG | SINGLE 35QT BOTTOM-MT VANITY TRASH HINGED DOOR PULLOUT, GREY |



HARDWARE RESOURCES RESERVES THE RIGHT TO CHANGE SPECIFICATIONS WITHOUT NOTICE. IN CASE OF A DISCREPANCY, ACTUAL PART GEOMETRY SUPERSEDES THIS DOCUMENT.

THE INFORMATION CONTAINED WITHIN THIS DRAWING IS THE SOLE PROPERTY OF HARDWARE RESOURCES INC. ANY REPRODUCTION IN PART OR WHOLE WITHOUT WRITTEN PERMISSION OF HARDWARE RESOURCES INC. IS PROHIBITED.

| | |
|--|----------------------|
| DOCUMENT STATUS Released | |
| UNLESS OTHERWISE SPECIFIED DIMENSIONS ARE IN INCHES (IN) | |
| MATERIAL WHITE BIRCH | FINISH UV COATING |
| THIRD ANGLE PROJECTION | DATE 28FEB2023 |

| | | |
|--|----------------|-----------------|
| DESCRIPTION | | |
| SINGLE 35QT BOTTOM-MT VANITY TRASH HINGED DOOR PULLOUT | | |
| DRAWING NUMBER CAN-WBMSV12 | | REV A |
| SIZE A3 | SCALE 0.200 | SHEET 1 / 1 |

8 7 6 5 4 3 2 1

A A