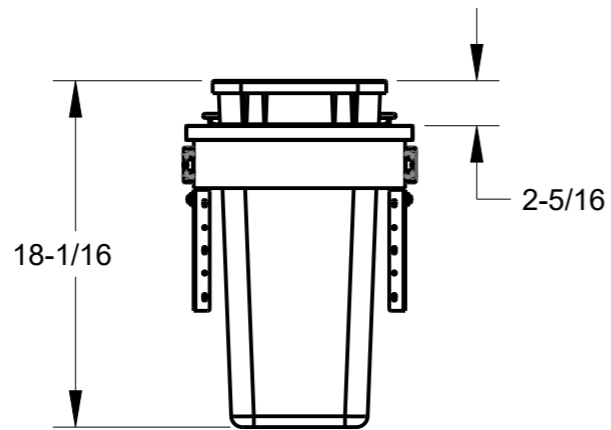
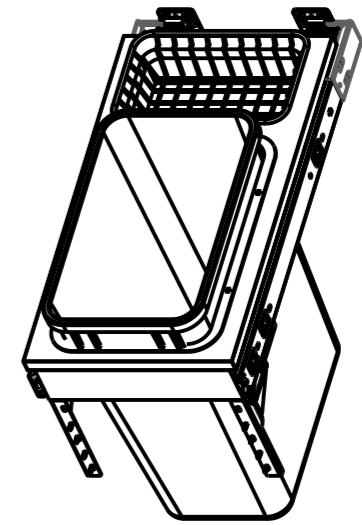
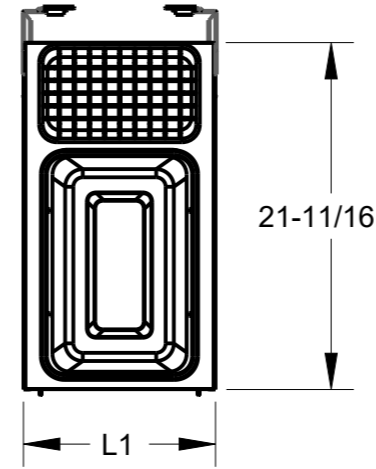
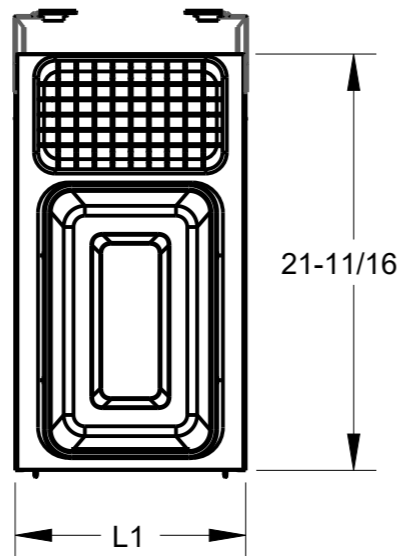
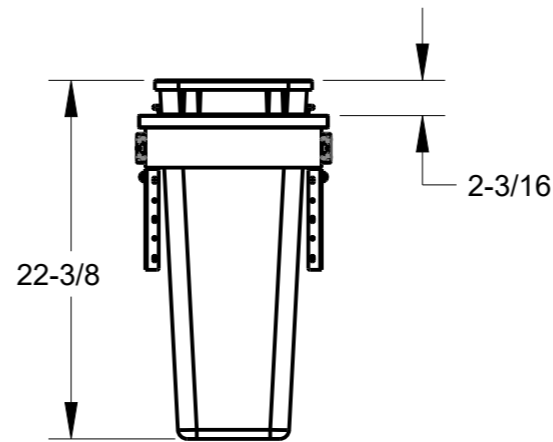


NOTES:

1. REFER TO HARDWARE RESOURCES CATALOG FOR COMPLETE ITEM NUMBERS.



35 QUART



50 QUART

ITEM	L1
CAN-TMS1235-K	12
CAN-TMS1250-K	12
CAN-TMS1535-K	15
CAN-TMS1550-K	15



HARDWARE RESOURCES RESERVES THE RIGHT TO CHANGE SPECIFICATIONS WITHOUT NOTICE. IN CASE OF A DISCREPANCY, ACTUAL PART GEOMETRY SUPERSEDES THIS DOCUMENT.

THE INFORMATION CONTAINED WITHIN THIS DRAWING IS THE SOLE PROPERTY OF HARDWARE RESOURCES INC. ANY REPRODUCTION IN PART OR WHOLE WITHOUT WRITTEN PERMISSION OF HARDWARE RESOURCES INC. IS PROHIBITED.

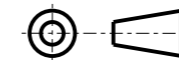
DOCUMENT STATUS **Released**

UNLESS OTHERWISE SPECIFIED DIMENSIONS ARE IN INCHES (IN)

MATERIAL  
N/A

FINISH  
SEE NOTES

THIRD ANGLE PROJECTION



DATE

16JUN2023

DESCRIPTION

TOP MOUNT TRASH CAN, SINGLE CAN, KIT

DRAWING NUMBER

CAN-TMS-K

REV

**B**

SIZE  
A3

SCALE  
0.100

SHEET  
1 / 1