

8 7 6 5 4 3 2 1

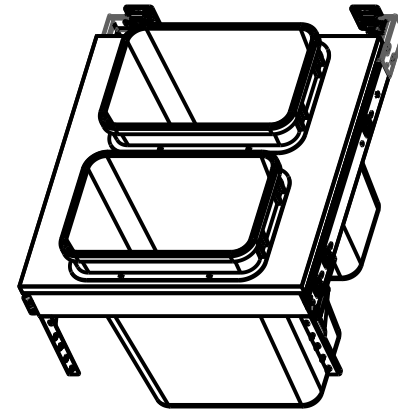
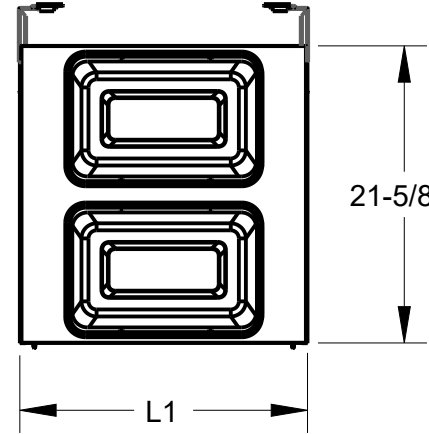
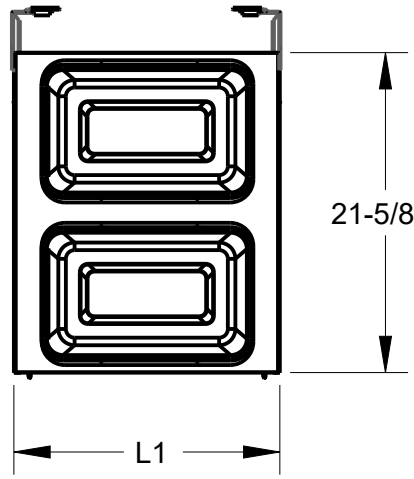
F

F

NOTES:  
 1. REFER TO HARDWARE RESOURCES CATALOG FOR COMPLETE ITEM NUMBERS.

E

E

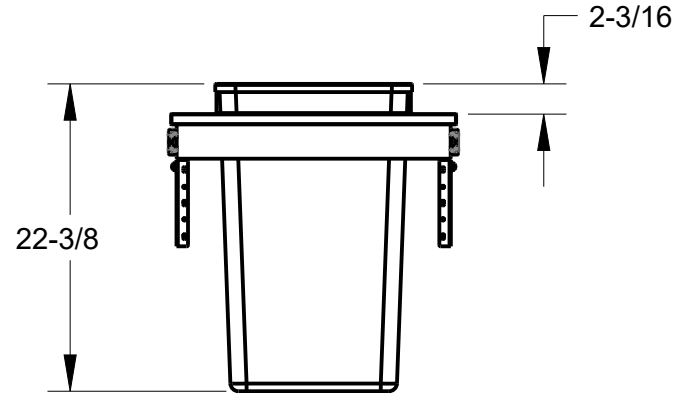
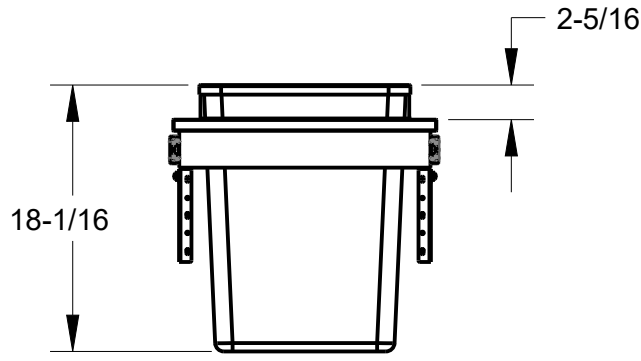


D

D

C

C



35 QUART

50 QUART

B

B

ITEM	L1
CAN-TMD1835-K	18
CAN-TMD1850-K	18
CAN-TMD2135-K	21
CAN-TMD2150-K	21

A

A



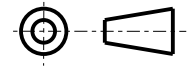
HARDWARE RESOURCES RESERVES THE RIGHT TO CHANGE SPECIFICATIONS WITHOUT NOTICE. IN CASE OF A DISCREPANCY, ACTUAL PART GEOMETRY SUPERSEDES THIS DOCUMENT.

THE INFORMATION CONTAINED WITHIN THIS DRAWING IS THE SOLE PROPERTY OF HARDWARE RESOURCES INC. ANY REPRODUCTION IN PART OR WHOLE WITHOUT WRITTEN PERMISSION OF HARDWARE RESOURCES INC. IS PROHIBITED.

DOCUMENT STATUS **Released**  
 UNLESS OTHERWISE SPECIFIED DIMENSIONS ARE IN INCHES (IN)

MATERIAL N/A FINISH SEE NOTES

THIRD ANGLE PROJECTION DATE 27JUN2023



DESCRIPTION  
 TOP MOUNT TRASH CAN, DOUBLE CAN, KIT

DRAWING NUMBER CAN-TMD-K REV B

SIZE A3 SCALE 0.077 SHEET 1 / 1

8 7 6 5 4 3 2 1