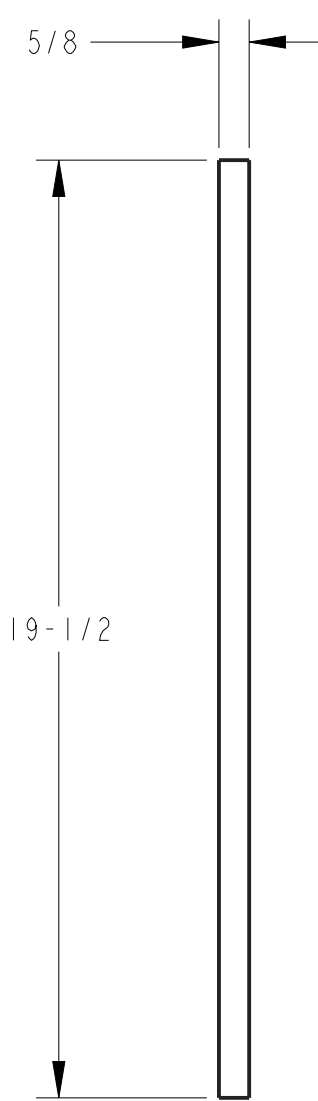
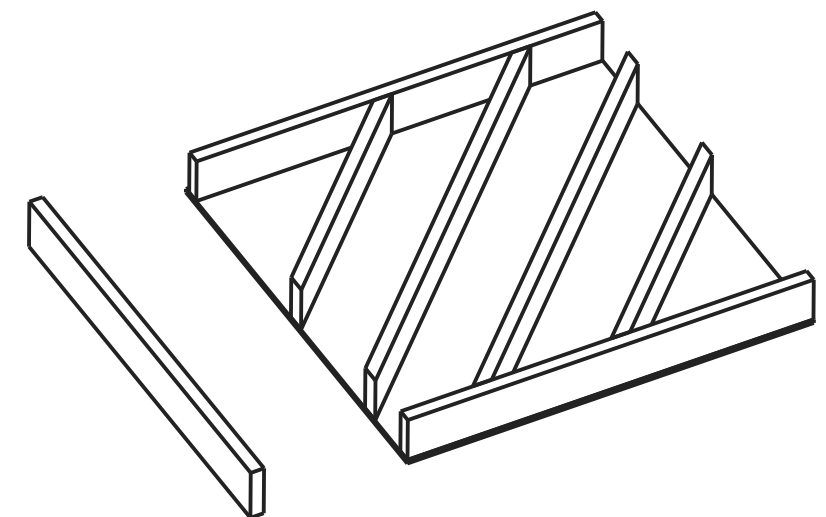
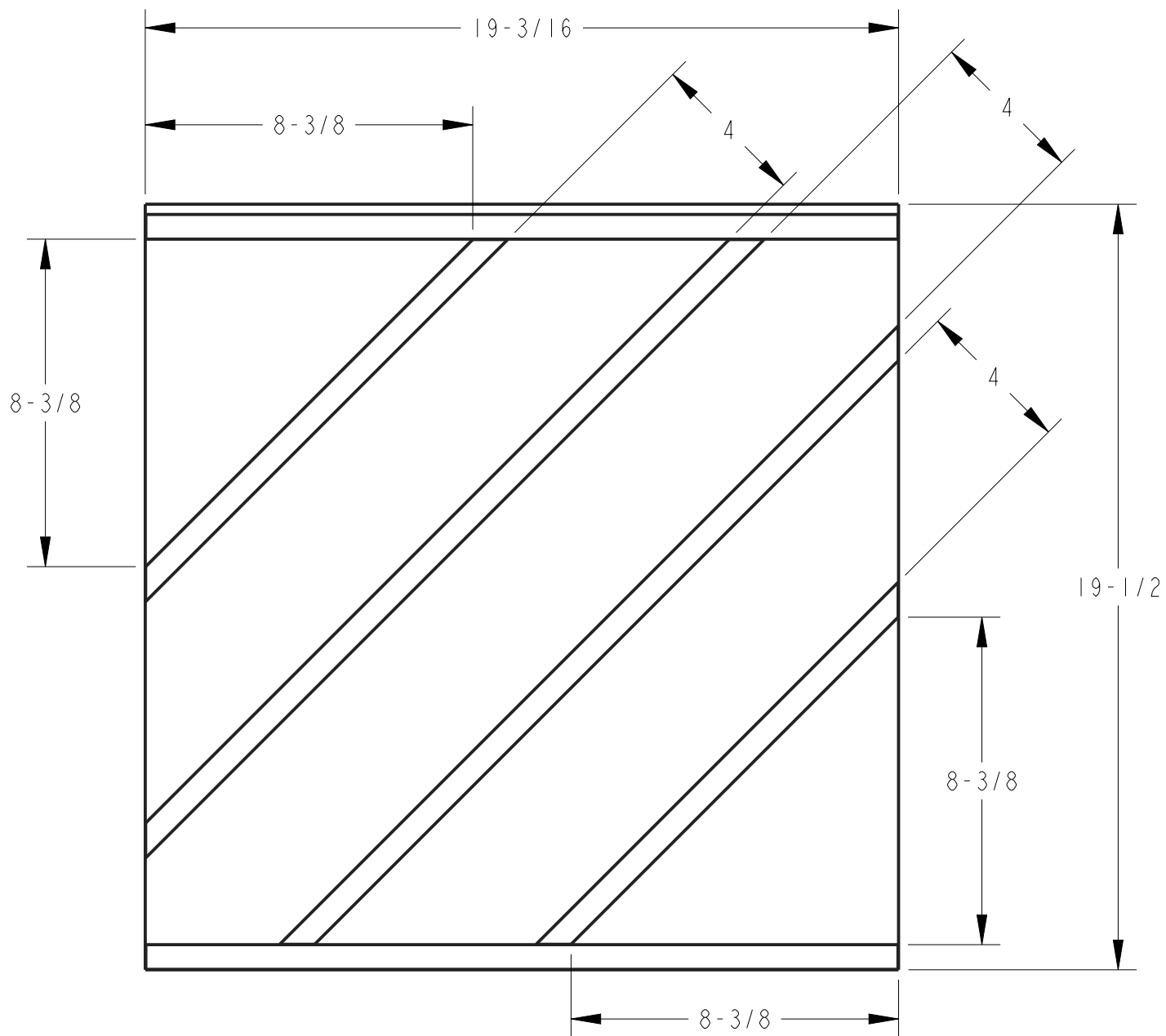
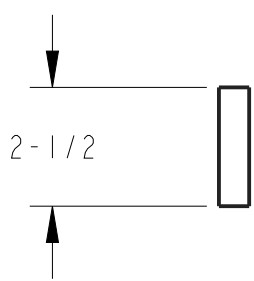


8 7 6 5 4 3 2 1

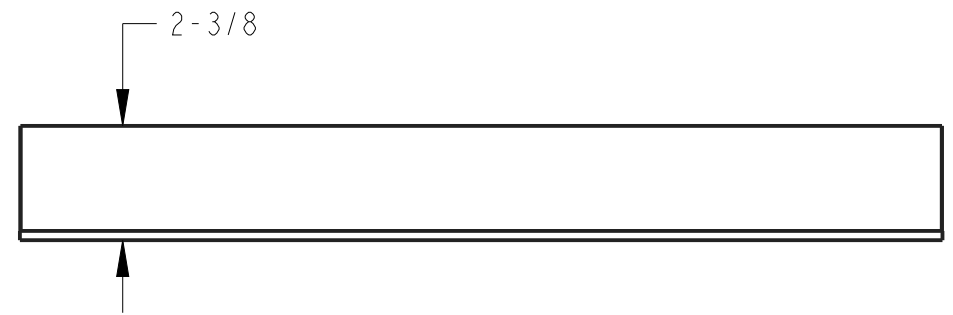
F E D C B A



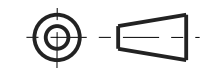
TRANSITION BOARD
INSTALLATION OPTIONAL



SCALE 0.125



THIRD ANGLE PROJECTION



MATERIAL BIRCH & BIRCH PLYWOOD	FINISH UV COATING
DRAWN BY GREG DAVIS	DATE 19MAR2021
DESIGNED BY GREG DAVIS	DATE 19MAR2021
APPROVED BY E.GOLESTANYAN	DATE 25MAR2021



DESCRIPTION
21" DROP-IN ANGLED LARGE CUTLERY
DRAWER INSERT

DOCUMENT STATUS Released

DRAWING AUO21-B24		REV A
SIZE A3	SCALE 0.250	SHEET 1 / 1

HARDWARE RESOURCES RESERVES THE RIGHT TO CHANGE SPECIFICATIONS WITHOUT NOTICE.
IN CASE OF A DISCREPANCY, ACTUAL PART GEOMETRY SUPERSEDES THIS DOCUMENT.

THE INFORMATION CONTAINED WITHIN THIS DRAWING IS THE SOLE PROPERTY OF HARDWARE RESOURCES INC. ANY
REPRODUCTION IN PART OR WHOLE WITHOUT WRITTEN PERMISSION OF HARDWARE RESOURCES INC. IS PROHIBITED.

8 7 6 5 4 3 2 1