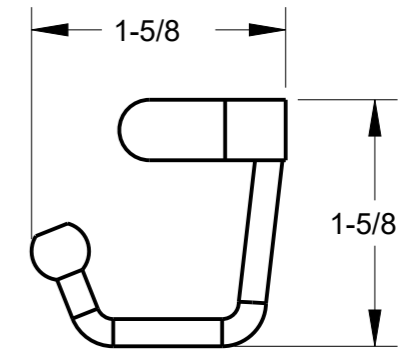
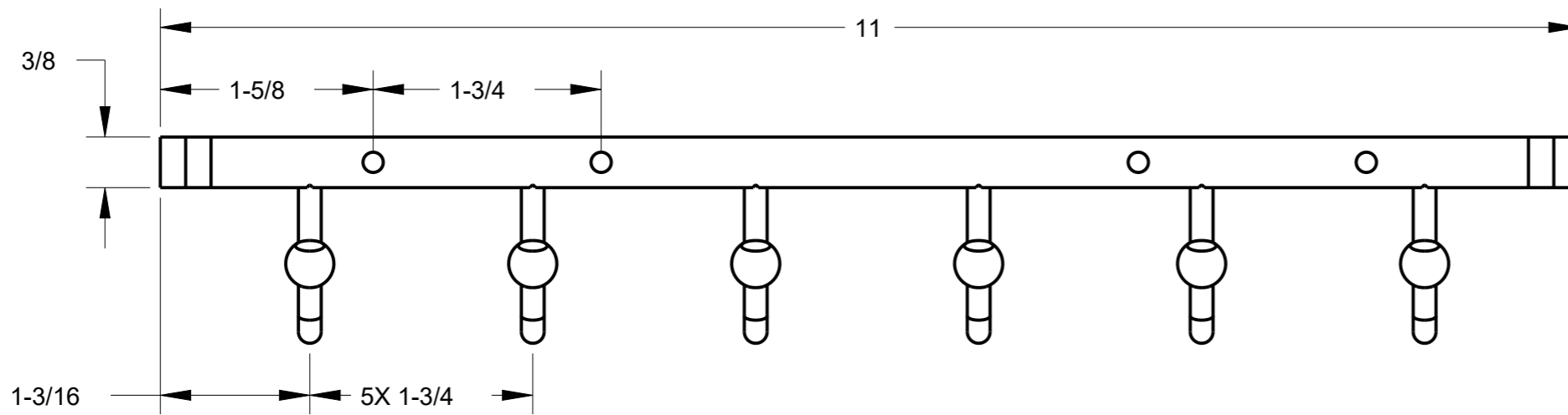
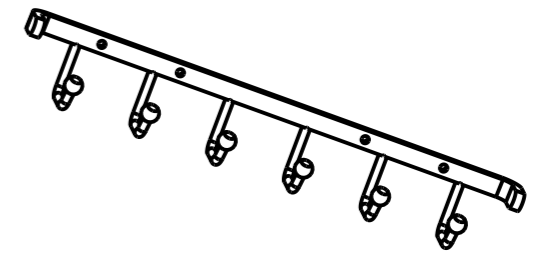


NOTES:

1. SEE CATALOG FOR FINISHES.



**hardware  
resources**

HARDWARE RESOURCES RESERVES THE RIGHT TO CHANGE SPECIFICATIONS WITHOUT NOTICE. IN CASE OF A DISCREPANCY, ACTUAL PART GEOMETRY SUPERSEDES THIS DOCUMENT.

THE INFORMATION CONTAINED WITHIN THIS DRAWING IS THE SOLE PROPERTY OF HARDWARE RESOURCES INC. ANY REPRODUCTION IN PART OR WHOLE WITHOUT WRITTEN PERMISSION OF HARDWARE RESOURCES INC. IS PROHIBITED.

DOCUMENT STATUS **Released**

UNLESS OTHERWISE SPECIFIED DIMENSIONS ARE IN INCHES (IN)

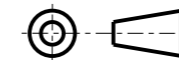
MATERIAL

STEEL

FINISH

SEE NOTES

THIRD ANGLE PROJECTION



DATE

02MAR2023

DESCRIPTION

BELT RACK, SCREW MOUNT

DRAWING NUMBER

296B

REV

**A**

SIZE  
A3

SCALE  
0.800

SHEET  
1 / 1