

8 7 6 5 4 3 2 1

F

NOTES:
1. SEE CATALOG FOR FINISHES.

F

E

E

D

D

C

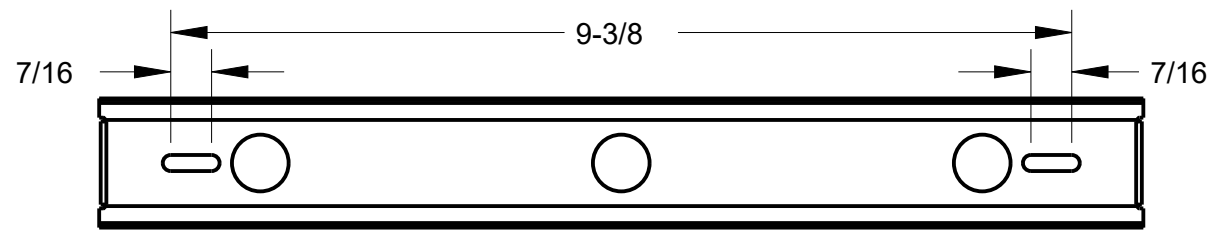
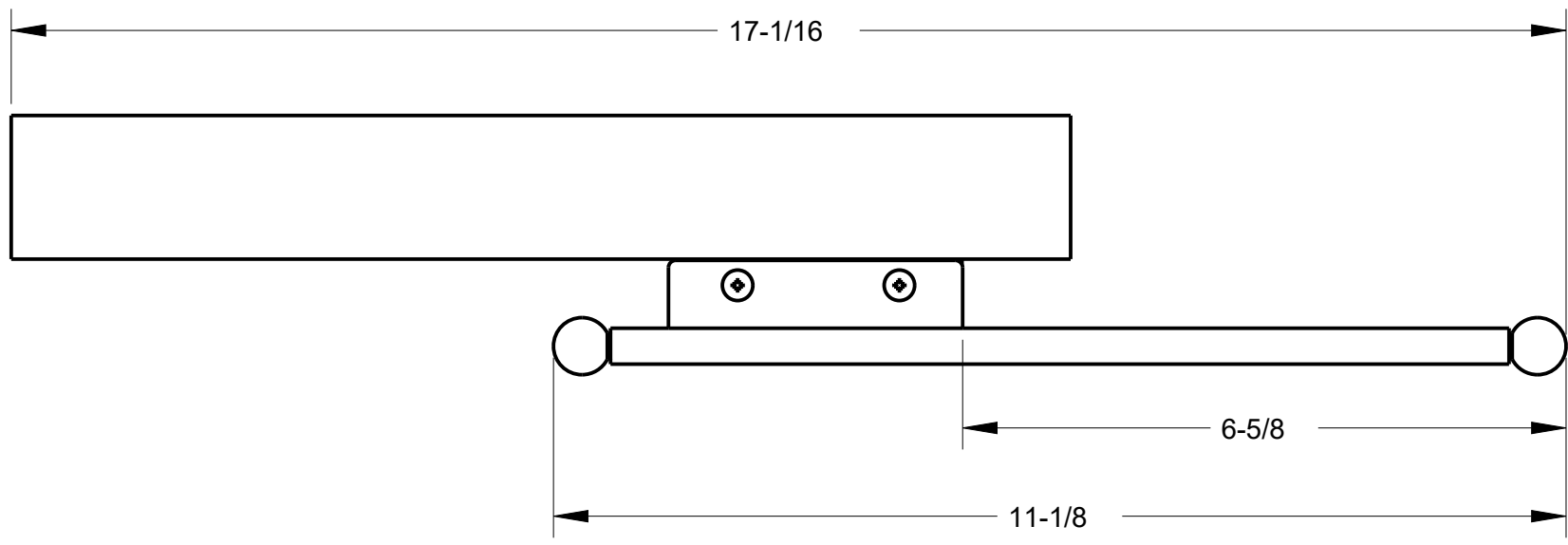
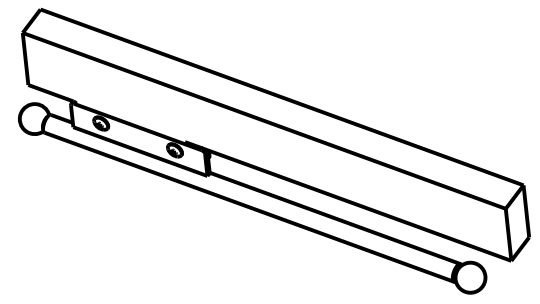
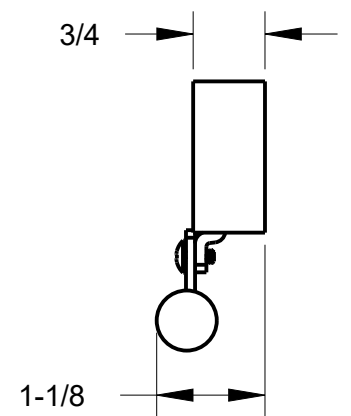
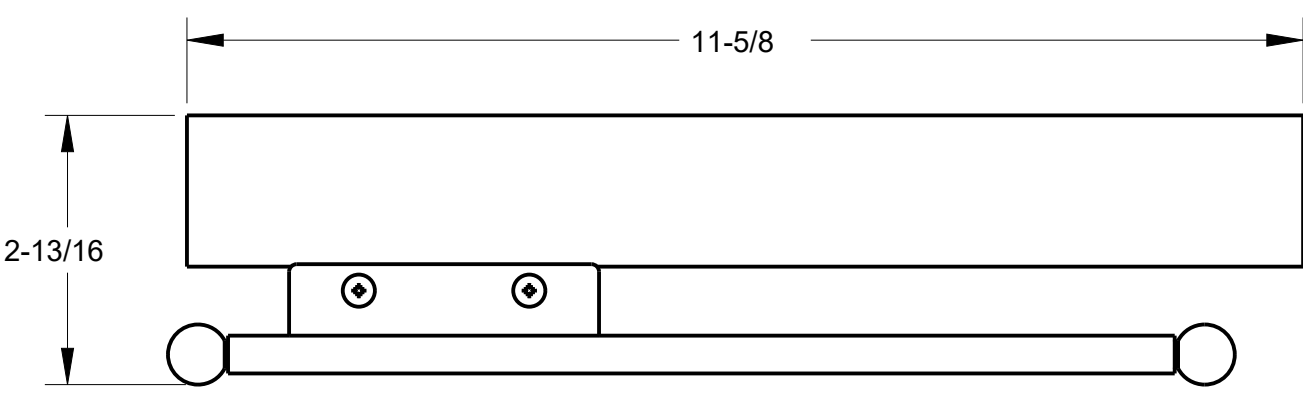
C

B

B

A

A



MOUNTING HOLES



HARDWARE RESOURCES RESERVES THE RIGHT TO CHANGE SPECIFICATIONS WITHOUT NOTICE. IN CASE OF A DISCREPANCY, ACTUAL PART GEOMETRY SUPERSEDES THIS DOCUMENT.

THE INFORMATION CONTAINED WITHIN THIS DRAWING IS THE SOLE PROPERTY OF HARDWARE RESOURCES INC. ANY REPRODUCTION IN PART OR WHOLE WITHOUT WRITTEN PERMISSION OF HARDWARE RESOURCES INC. IS PROHIBITED.

DOCUMENT STATUS Released	
UNLESS OTHERWISE SPECIFIED DIMENSIONS ARE IN INCHES (IN)	
MATERIAL N/A	FINISH SEE NOTES
THIRD ANGLE PROJECTION	DATE 02FEB2023

DESCRIPTION		
SLIDING RACKS, VALET ROD, 12in		
DRAWING NUMBER 295W		REV A
SIZE A3	SCALE 0.500	SHEET 1 / 1

8 7 6 5 4 3 2 1