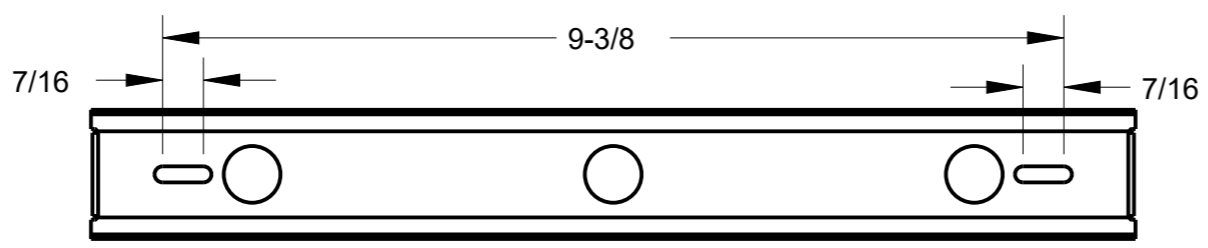
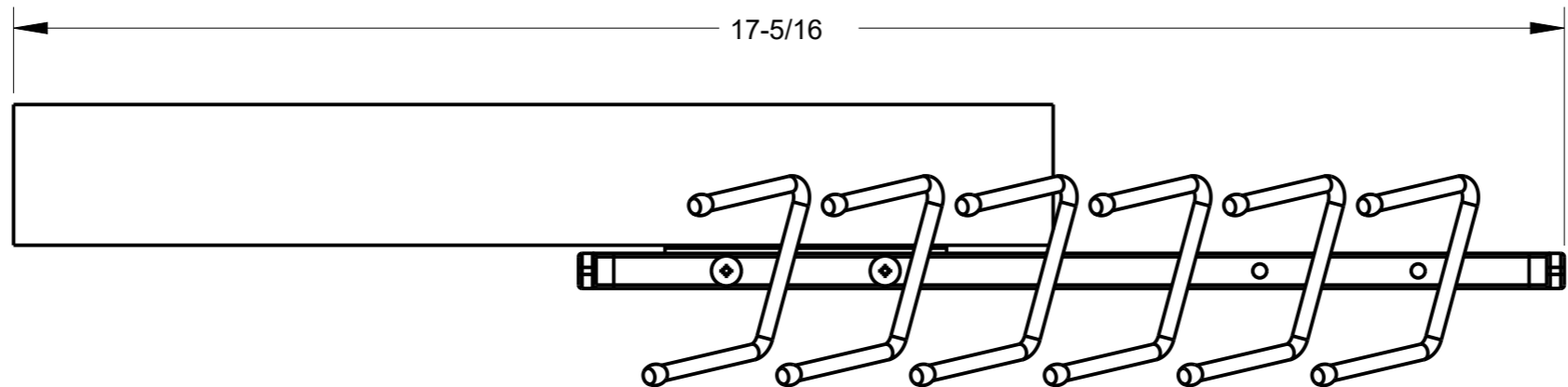
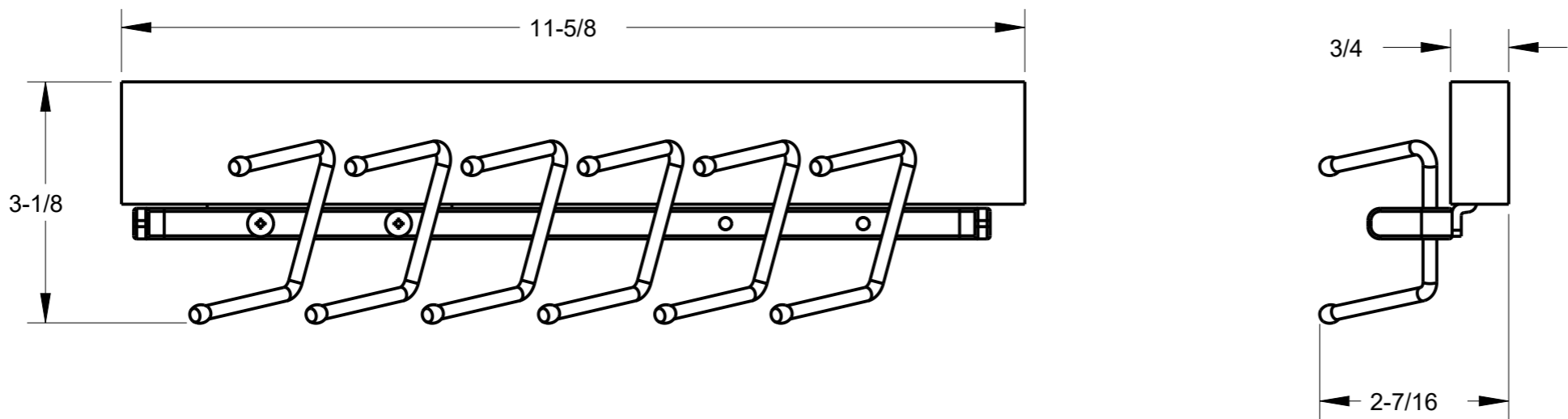
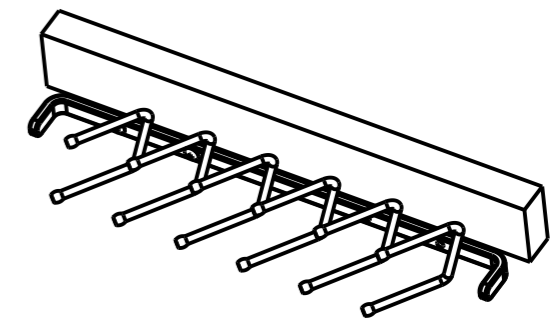


NOTES:

- 1. SEE DRAWING 296T FOR TIE RACK DETAILS.
- 2. SEE CATALOG FOR FINISHES.



MOUNTING HOLES



HARDWARE RESOURCES RESERVES THE RIGHT TO CHANGE SPECIFICATIONS WITHOUT NOTICE. IN CASE OF A DISCREPENCY, ACTUAL PART GEOMETRY SUPERSEDES THIS DOCUMENT.

THE INFORMATION CONTAINED WITHIN THIS DRAWING IS THE SOLE PROPERTY OF HARDWARE RESOURCES INC. ANY REPRODUCTION IN PART OR WHOLE WITHOUT WRITTEN PERMISSION OF HARDWARE RESOURCES INC. IS PROHIBITED.

|  |                     |
|--|---------------------|
| DOCUMENT STATUS <b>Released</b>                          |                     |
| UNLESS OTHERWISE SPECIFIED DIMENSIONS ARE IN INCHES (IN) |                     |
| MATERIAL<br>N/A  | FINISH<br>SEE NOTES |
| THIRD ANGLE PROJECTION<br>                               | DATE<br>01MAR2023   |

|                               |                |                 |
|-------------------------------|----------------|-----------------|
| DESCRIPTION                   |                |                 |
| SLIDING RACKS, TIE RACK, 12in |                |                 |
| DRAWING NUMBER<br>295T        |                | REV<br><b>A</b> |
| SIZE<br>A3                    | SCALE<br>0.500 | SHEET<br>1 / 1  |