



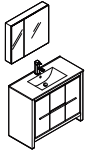
FVN8140HA ALLIER

Rio

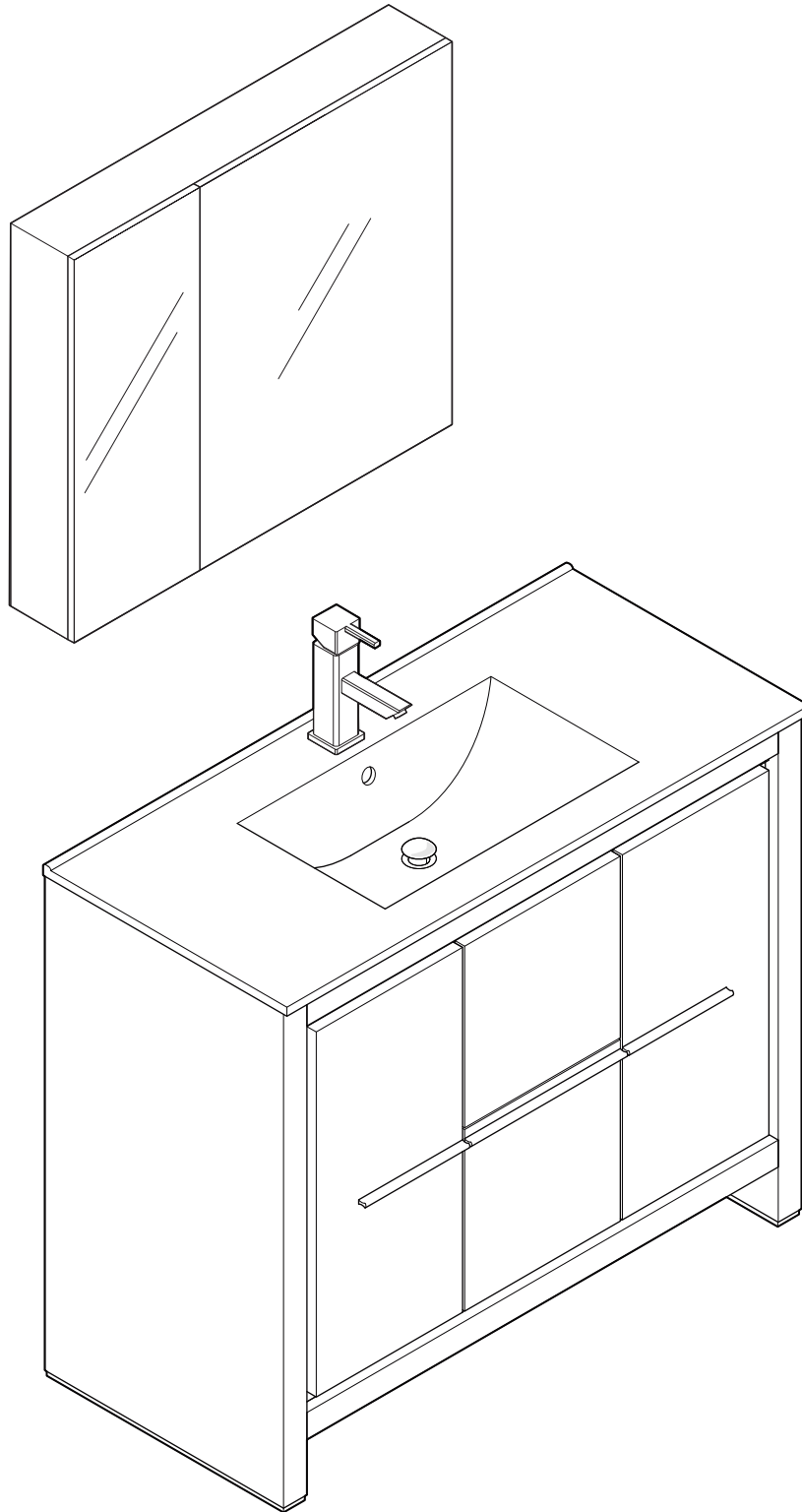
INSTALLATION GUIDE

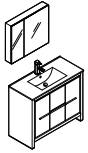
CONTENTS:

Cabinet.....	(FCB8140HA).....	PAGE 4
Sink.....	(FVS8140WH).....	PAGE 4
Medicine Cabinet.....	(FMC8090).....	PAGE 3



FVN8140HA
ALLIER *Rio*
INSTALLATION GUIDE

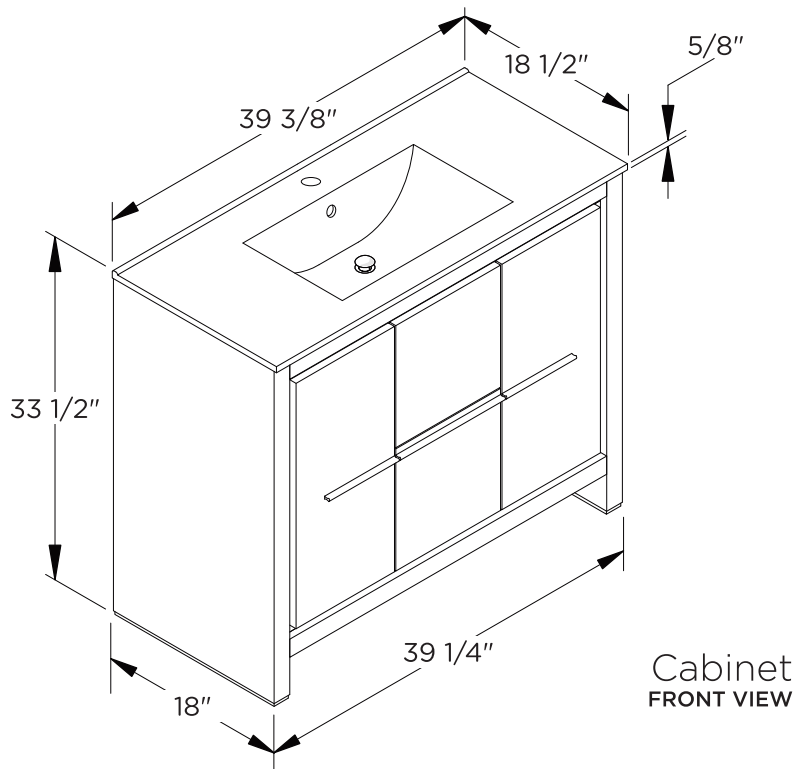
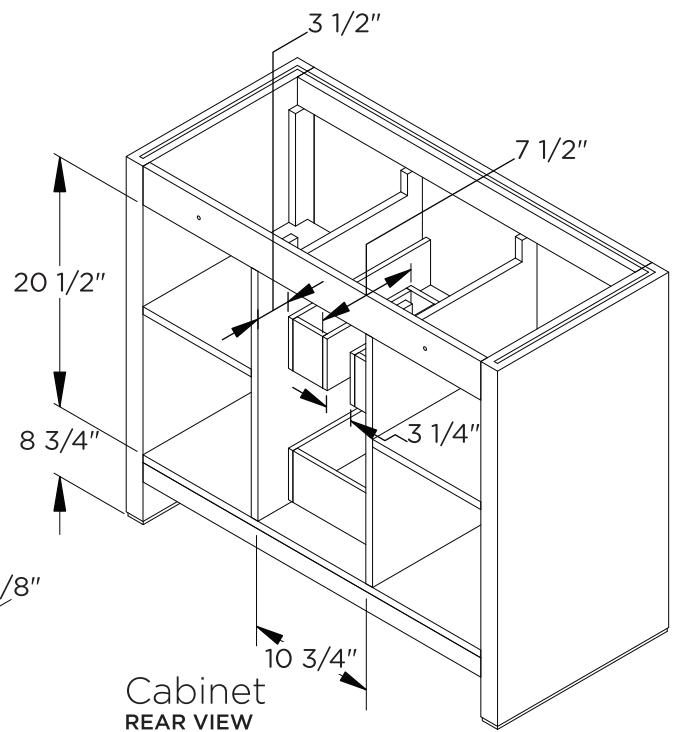
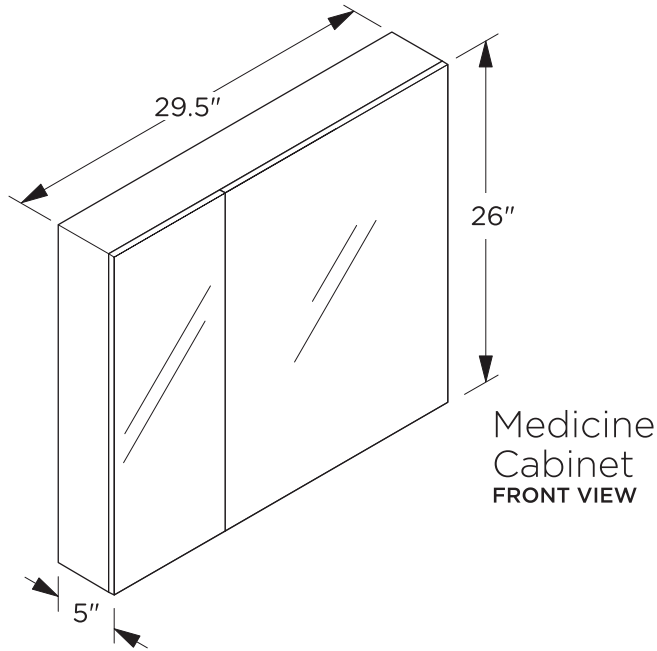




FVN8140HA ALLIER *Rio* INSTALLATION GUIDE



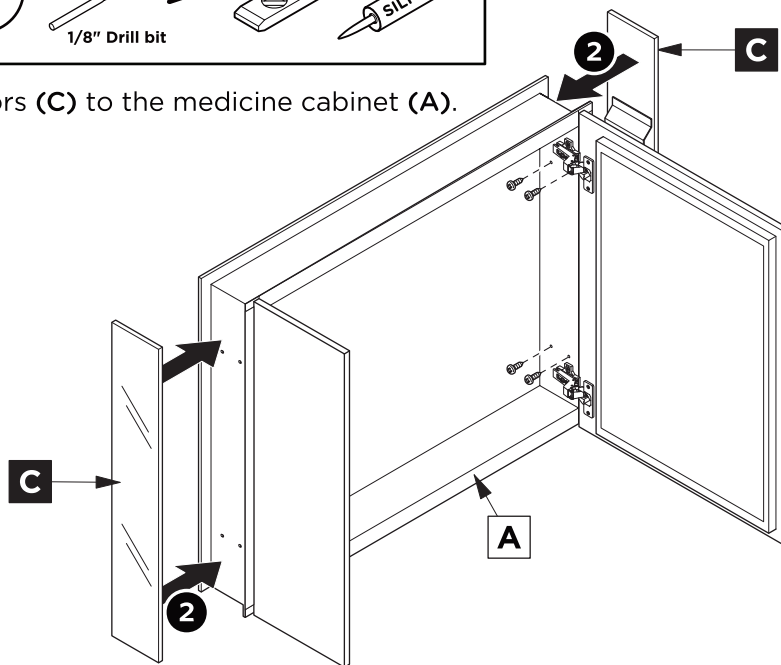
DIMENSIONS



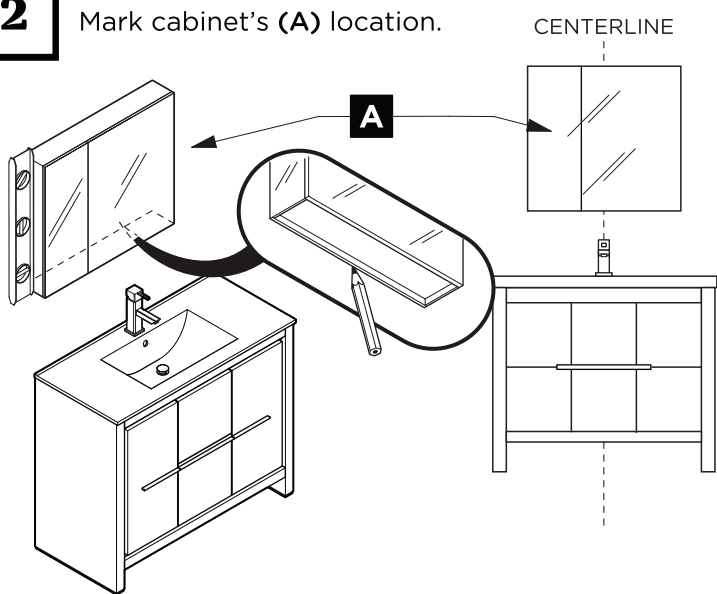
NOTE: ALL DIMENSIONS & SPECIFICATIONS ARE APPROXIMATE AND SUBJECT TO CHANGE WITHOUT NOTICE.



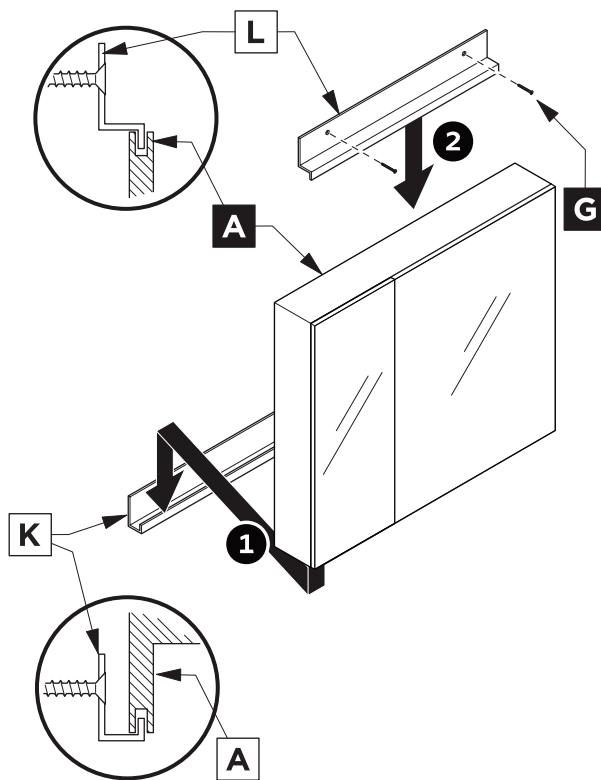
1 Attach side mirrors (C) to the medicine cabinet (A).



2 Mark cabinet's (A) location.

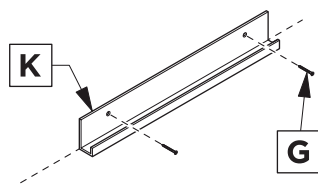
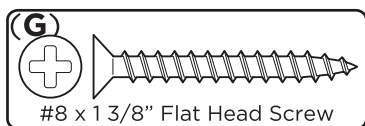


4 * Place cabinet (A) on the bottom bracket (K) and secure it with a top bracket (L).



3 Install a bottom bracket (K).

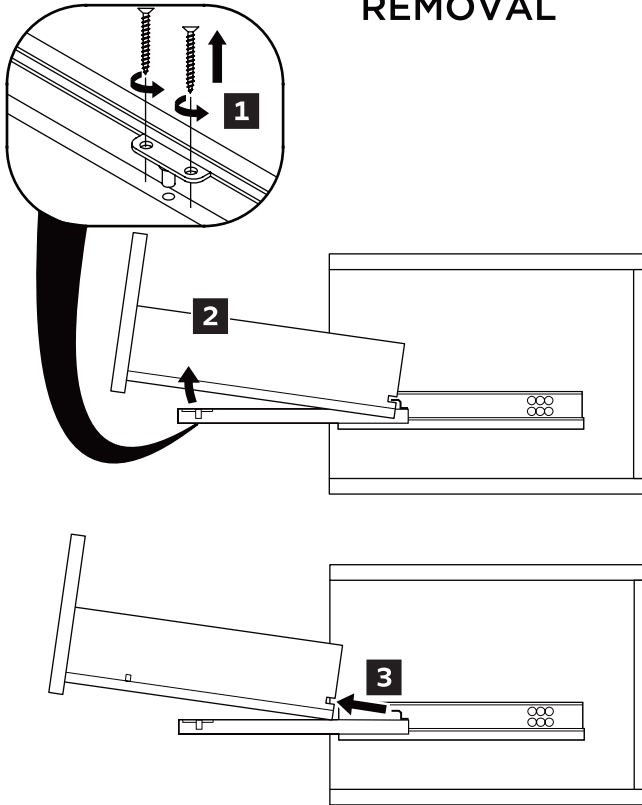
IMPORTANT: Consult an expert for the proper screws/bolts to use when attaching to various constructions. Screws provided **do not** attach to all wall construction types. Anchors are not required if brackets are installed in stud.



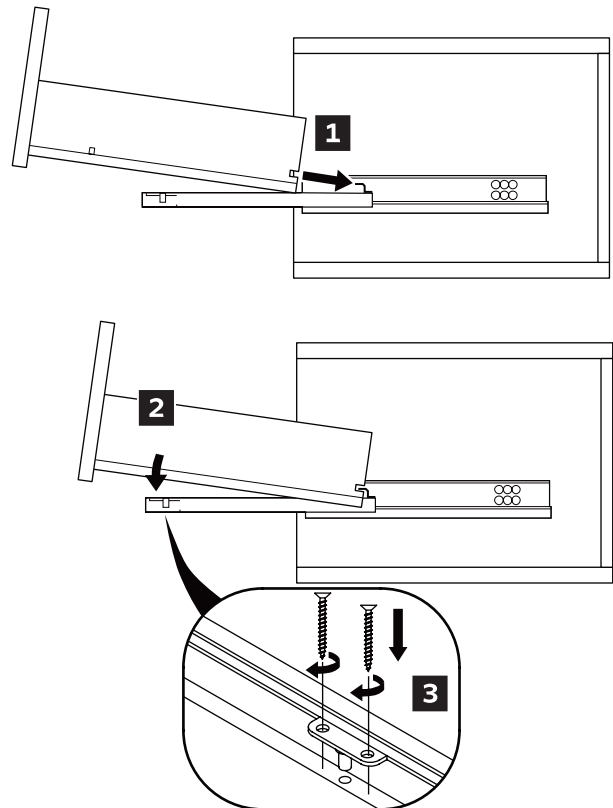
* This step requires assistance to hold cabinet in place until top bracket is securely attached.

DRAWER REMOVAL & INSTALLATION

REMOVAL



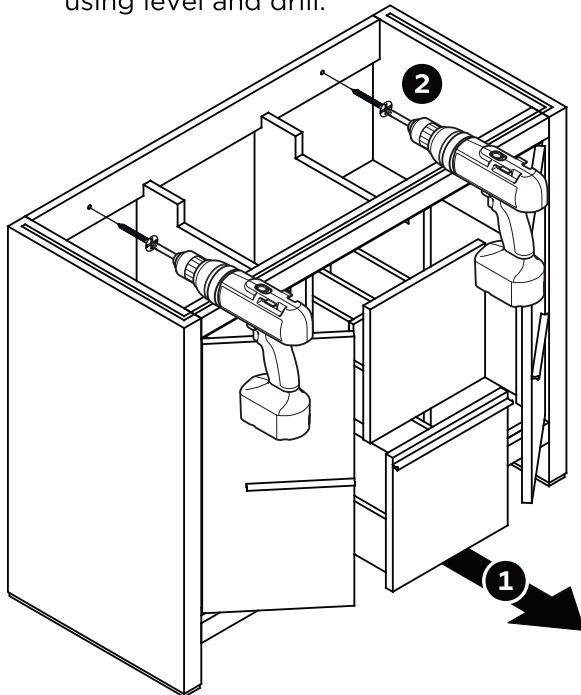
INSTALLATION



CABINET/SINK INSTALLATION

1

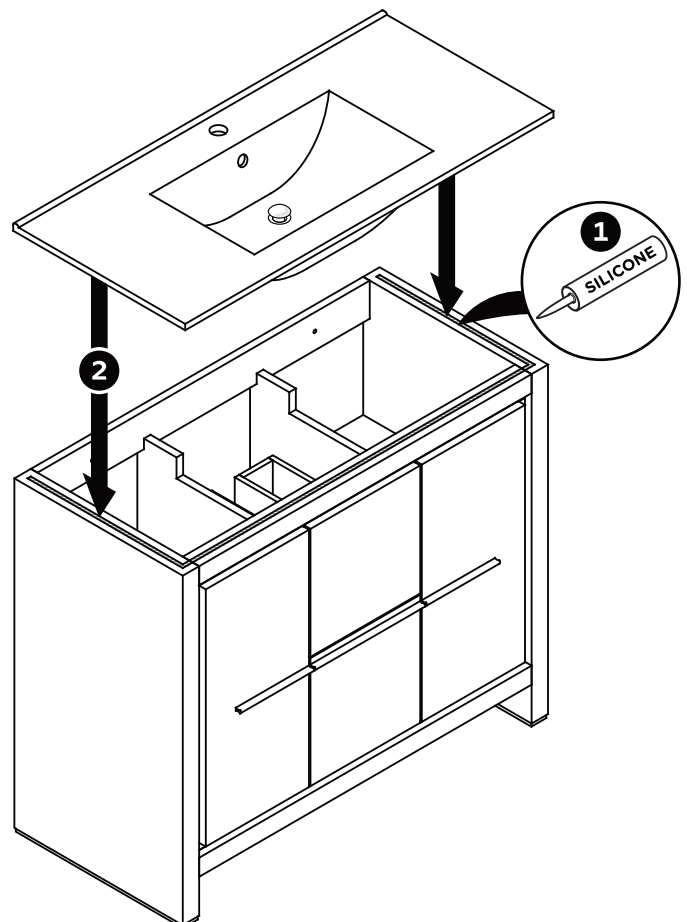
1. Remove drawer and open the door for the ease of access.
2. Attach cabinet to the wall using level and drill.



IMPORTANT: Consult an expert for the proper screws/bolts to use when attaching to various constructions. Screws provided do not attach to all wall construction types. Anchors are not required if brackets are installed in stud.

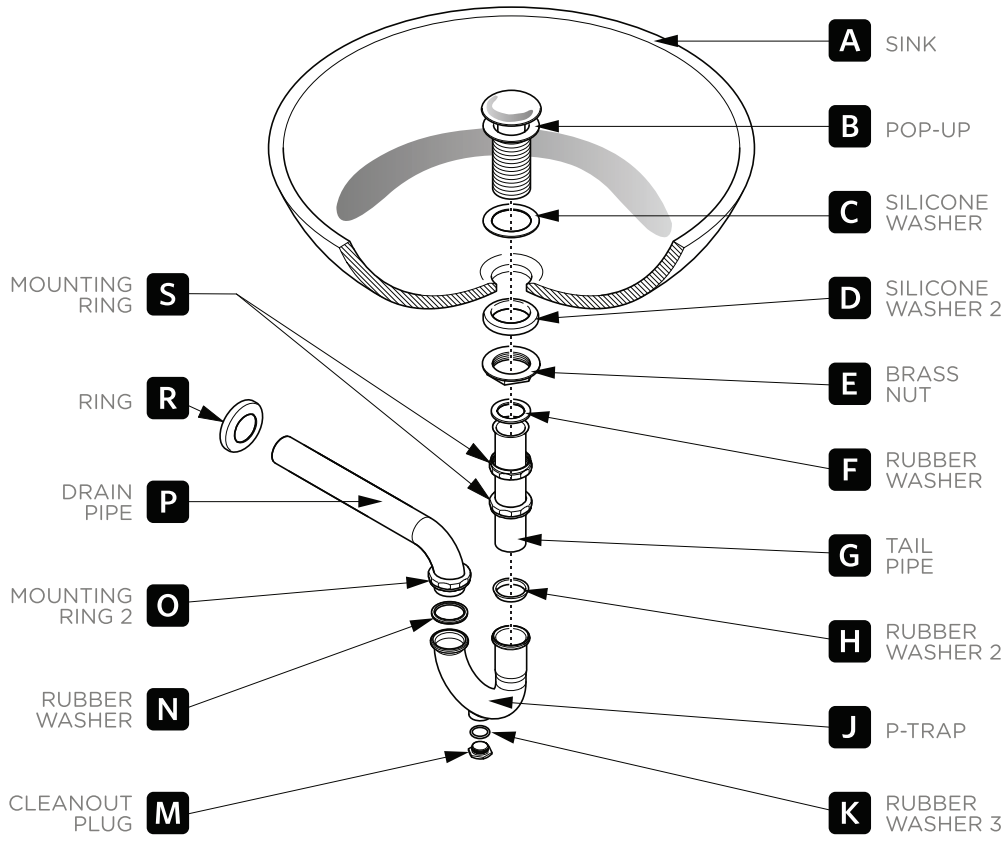
2

- Apply a bead of silicone on the top of the cabinet and place sink on the cabinet.



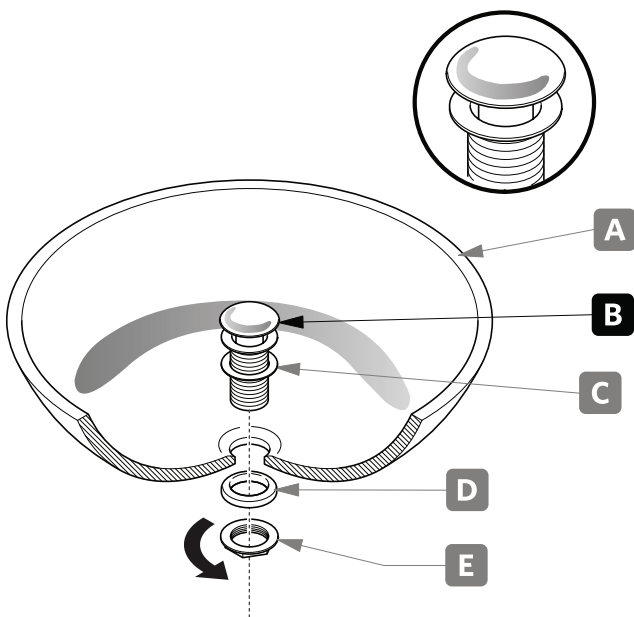
P-TRAP & POP-UP INSTALLATION INSTRUCTIONS

Your item may appear slightly different from the illustration.



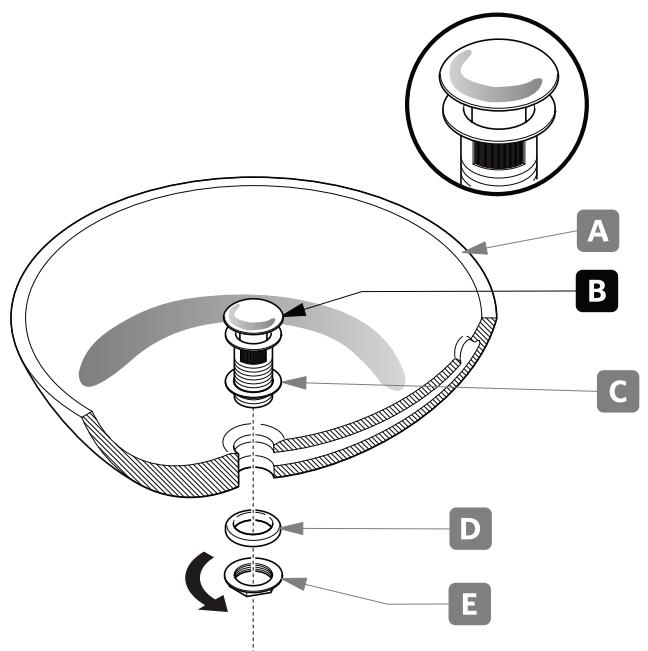
POP-UP INSTALLATION INSTRUCTIONS

FOR SINKS WITHOUT OVERFLOW



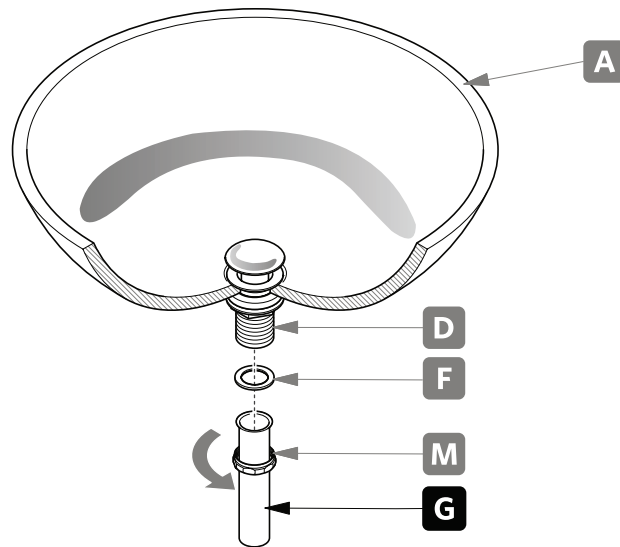
OR

FOR SINKS WITH OVERFLOW



P-TRAP INSTALLATION

1 Install Tail Pipe (G).



2 Install P-Trap (J).

