



**FVN8119HA**

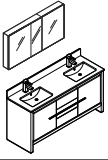
**ALLIER**



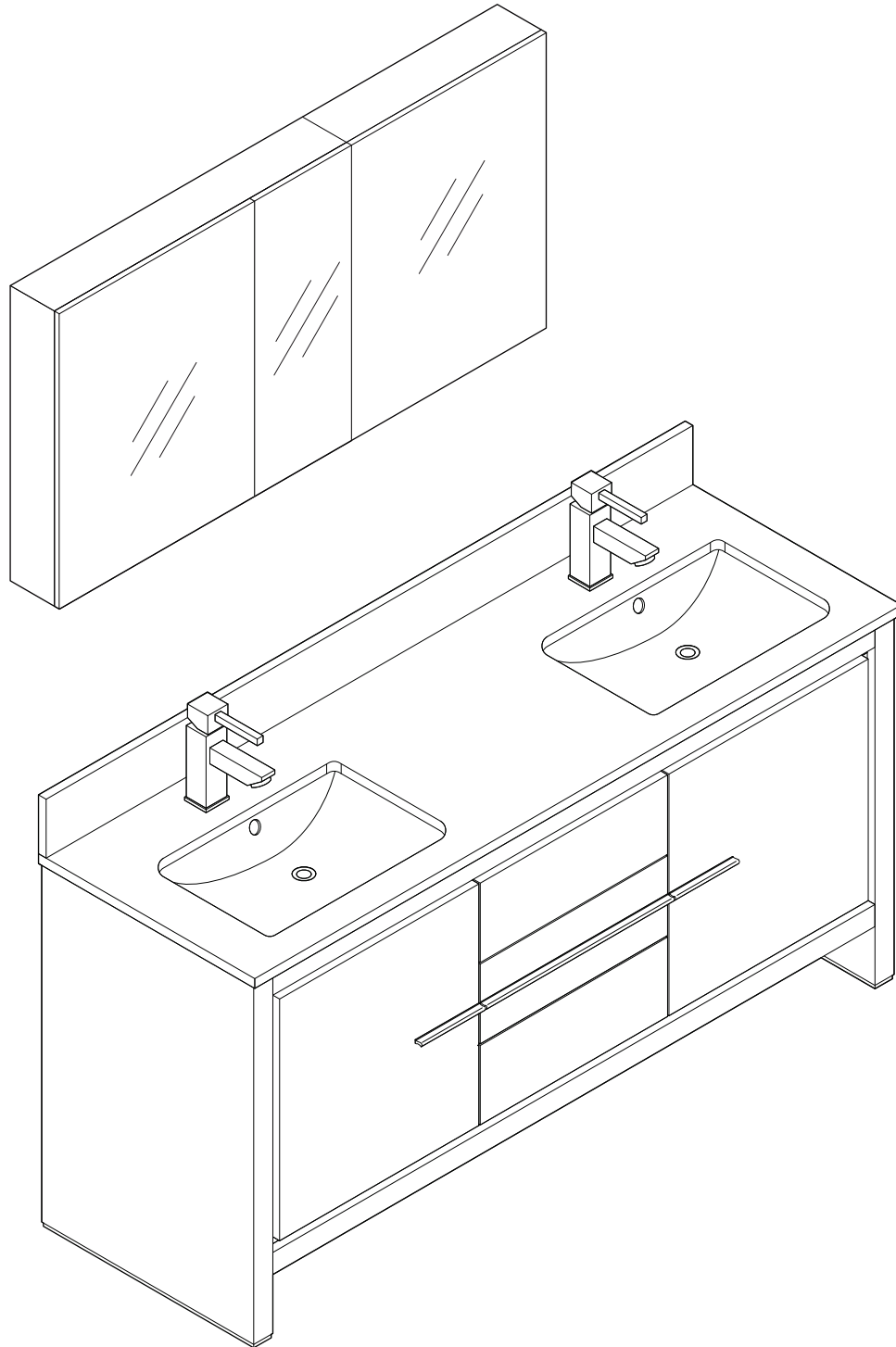
**INSTALLATION GUIDE**

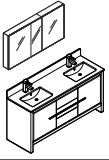
**CONTENTS:**

Cabinet.....	(FCB8119HA).....	PAGE <b>5</b>
Sink.....	(FVS8119WH).....	PAGE <b>5</b>
Medicine Cabinet.....	(FMC8013).....	PAGE <b>3</b>
Countertop.....	(FCT8119WH).....	PAGE <b>5</b>

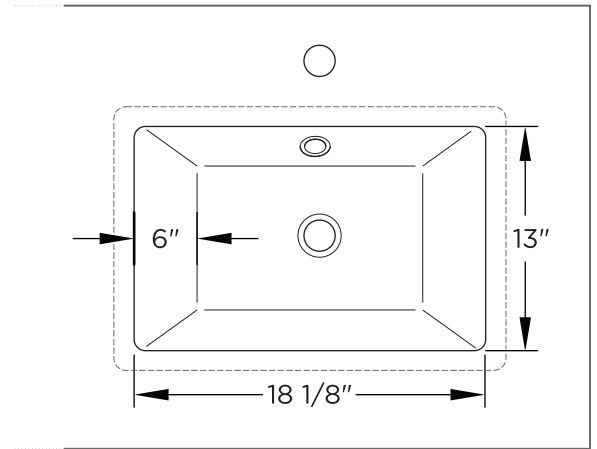
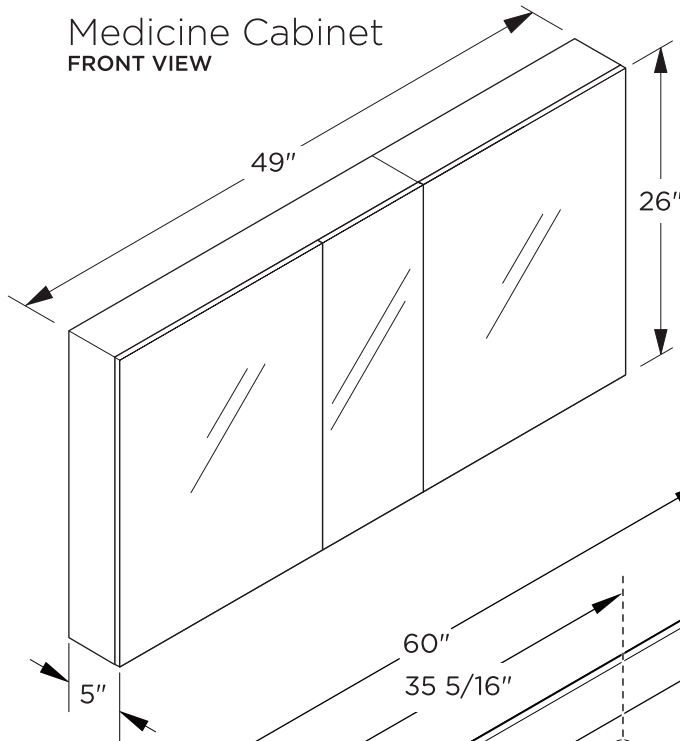


# FVN8119HA ALLIER *Rio* INSTALLATION GUIDE

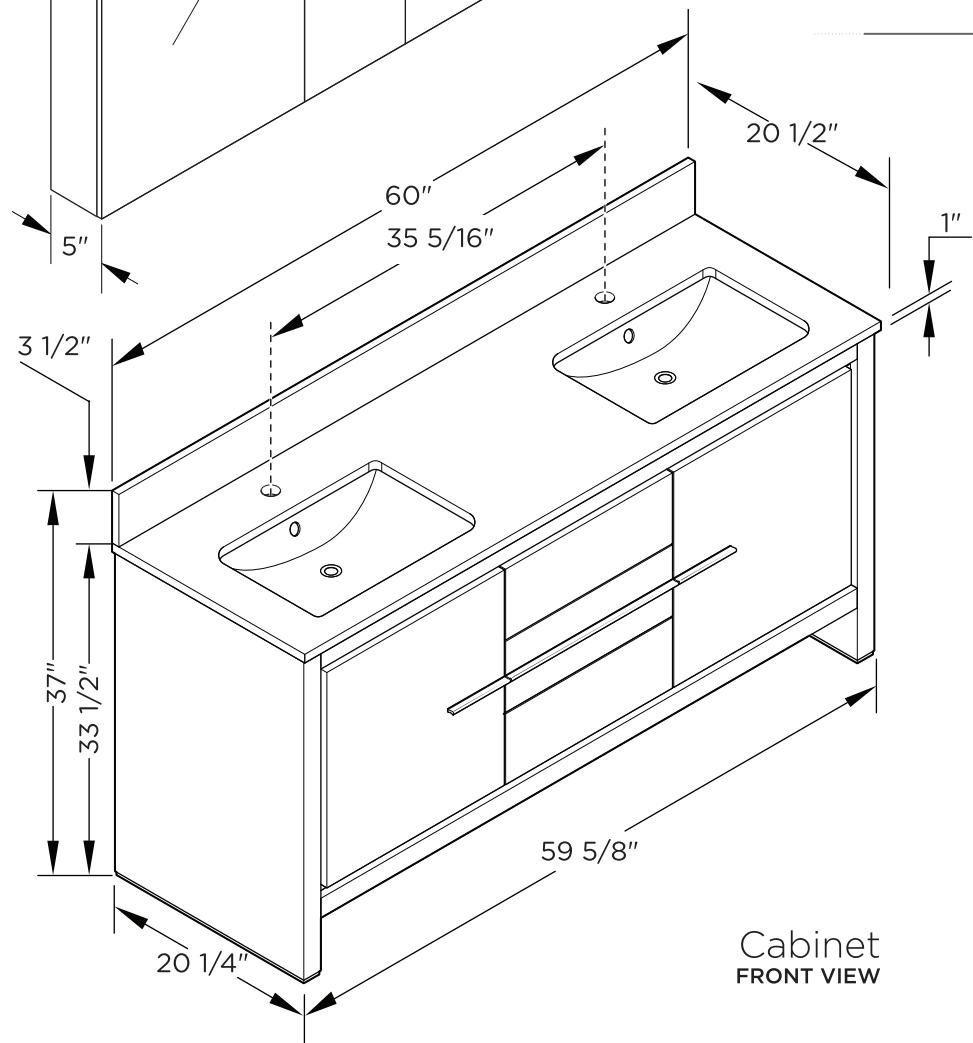




## DIMENSIONS



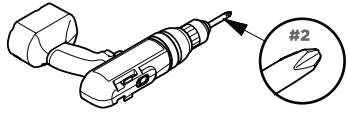
Sink  
TOP VIEW



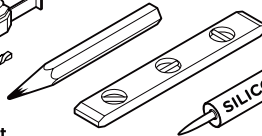
Cabinet  
FRONT VIEW

**NOTE:** ALL DIMENSIONS & SPECIFICATIONS ARE APPROXIMATE AND SUBJECT TO CHANGE WITHOUT NOTICE.

## TOOLS FOR ASSEMBLY

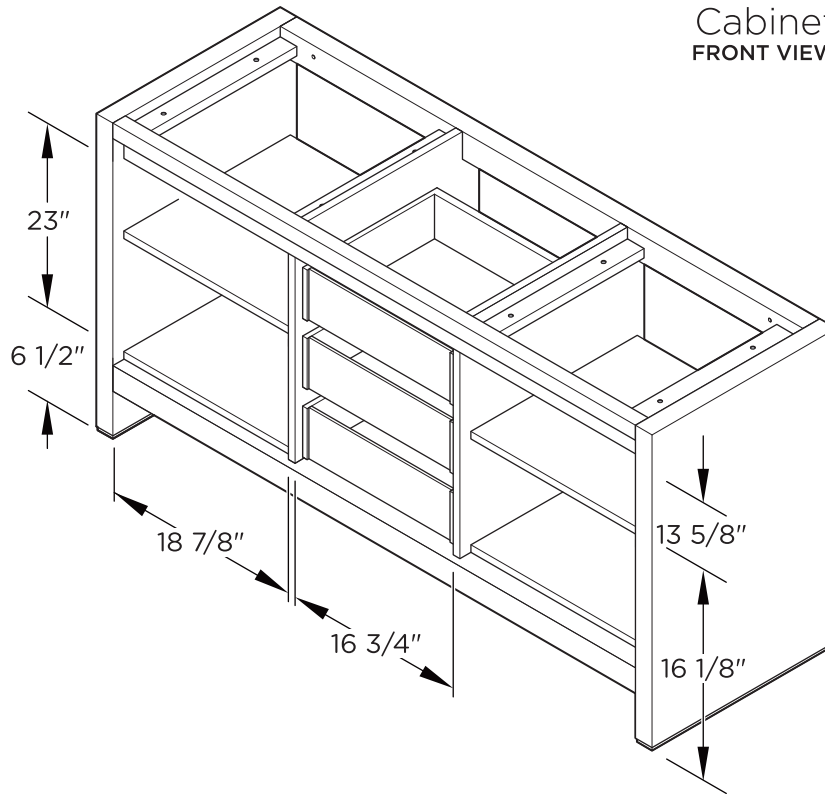


1/8" Drill bit



## CABINET DIMENSIONS

Cabinet  
FRONT VIEW

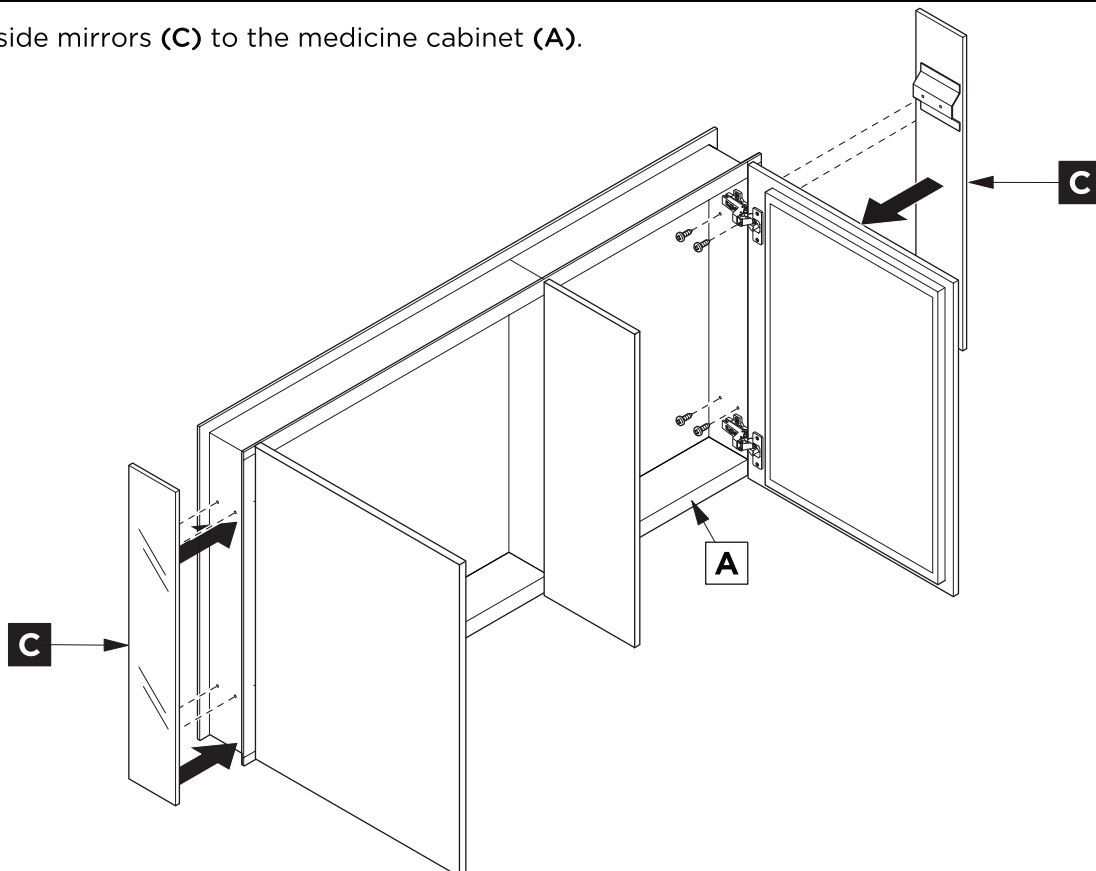


**NOTE:** ALL DIMENSIONS & SPECIFICATIONS ARE APPROXIMATE AND SUBJECT TO CHANGE WITHOUT NOTICE.

## MEDICINE CABINET INSTALLATION

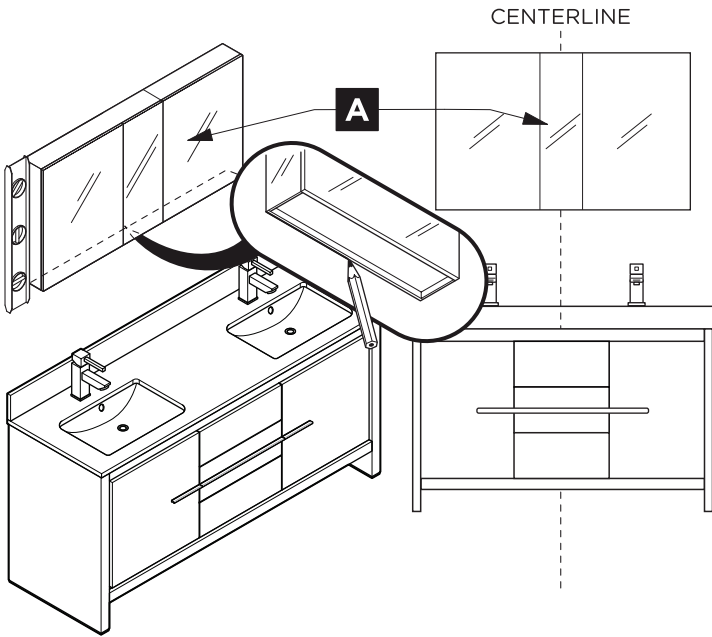
**1**

Attach side mirrors (C) to the medicine cabinet (A).

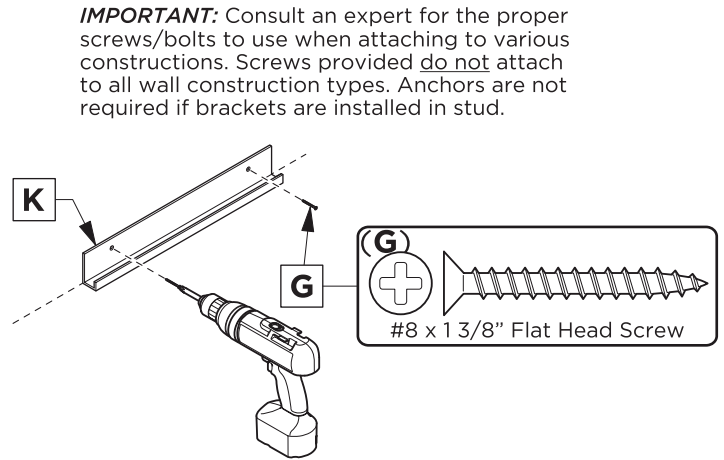


# MEDICINE CABINET INSTALLATION

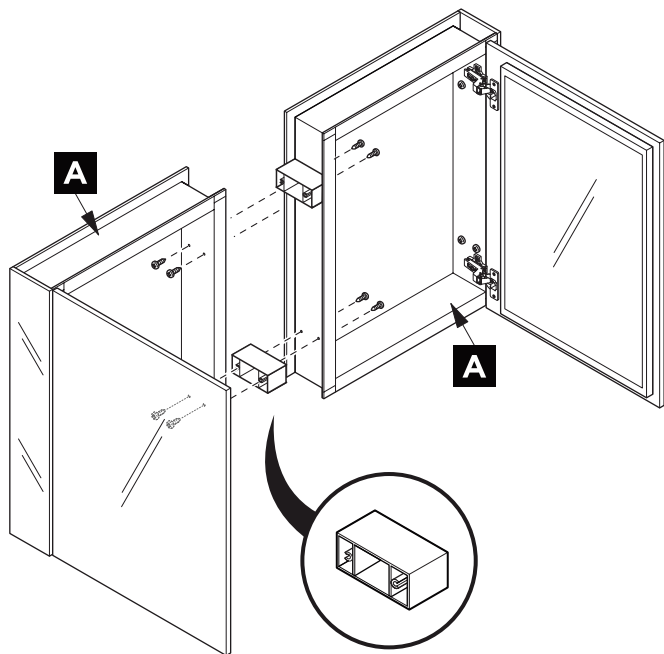
**2** Mark cabinet's (A) location.



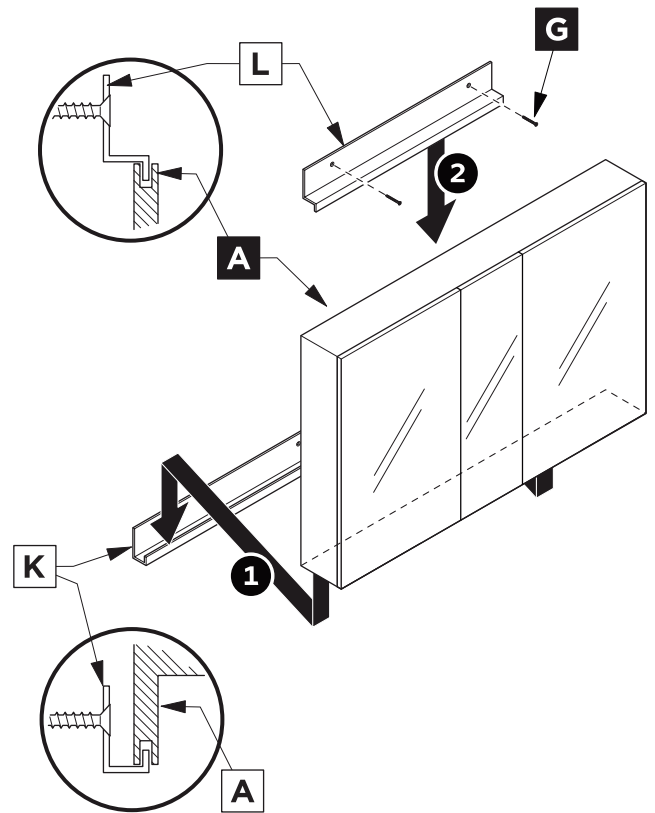
**3** Attach bottom bracket (K) to the wall.



**4** Join the cabinets (A) together.



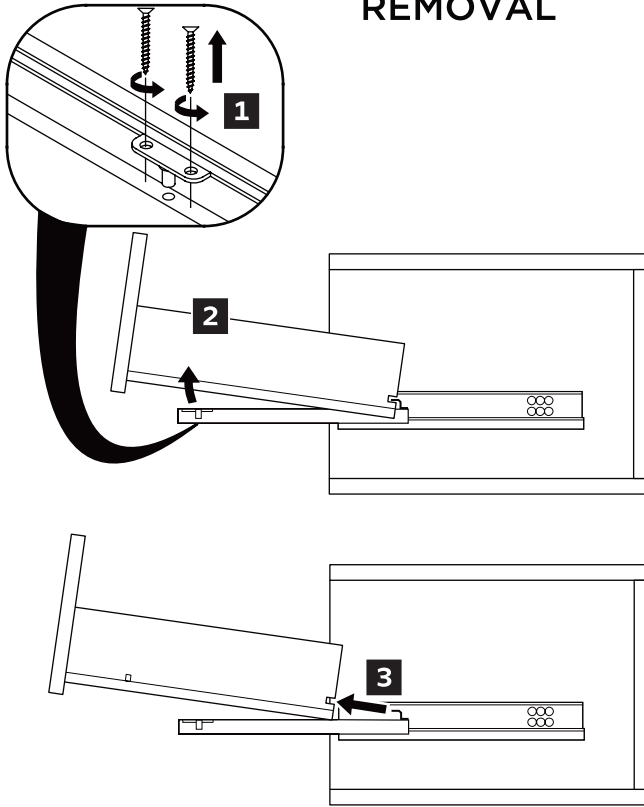
**5** \* Place cabinet (A) on the bottom bracket (K) and secure it with a top bracket (L).



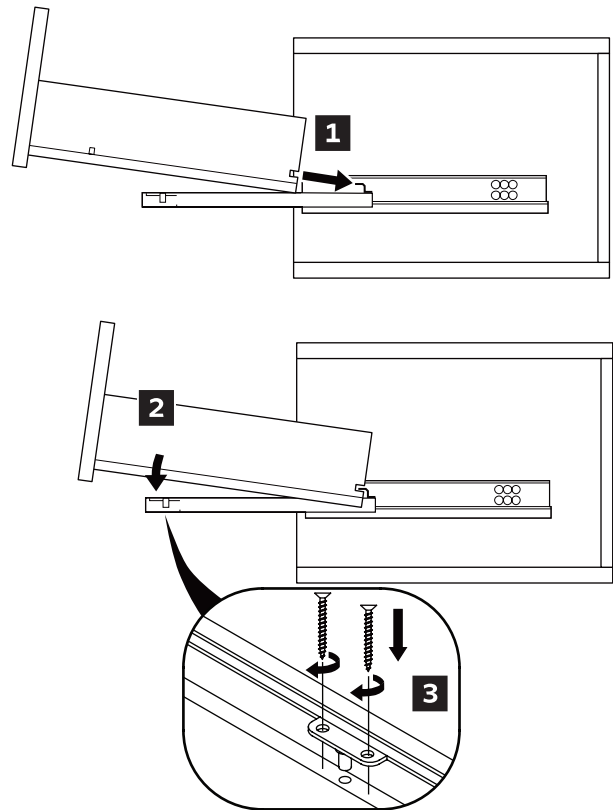
\*This step requires assistance to hold cabinet in place until top bracket is securely attached.

# DRAWER REMOVAL & INSTALLATION

## REMOVAL



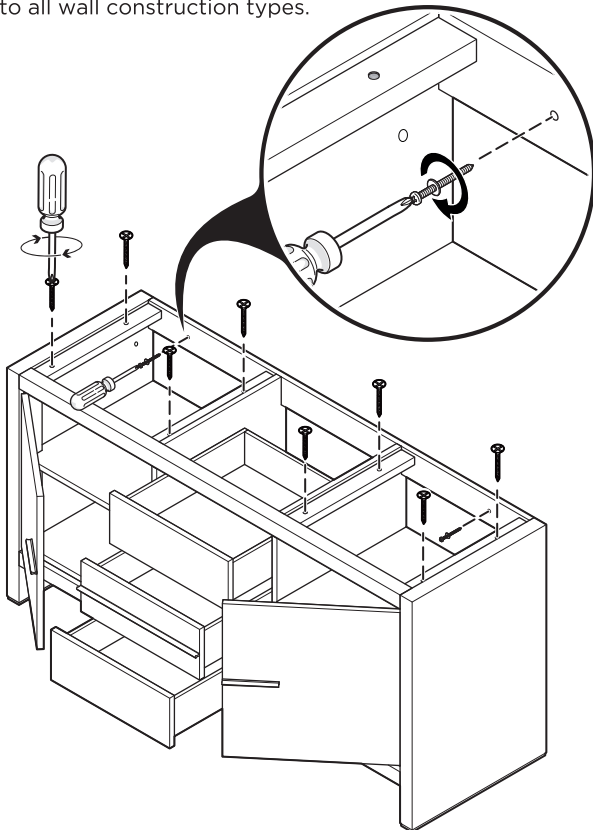
## INSTALLATION



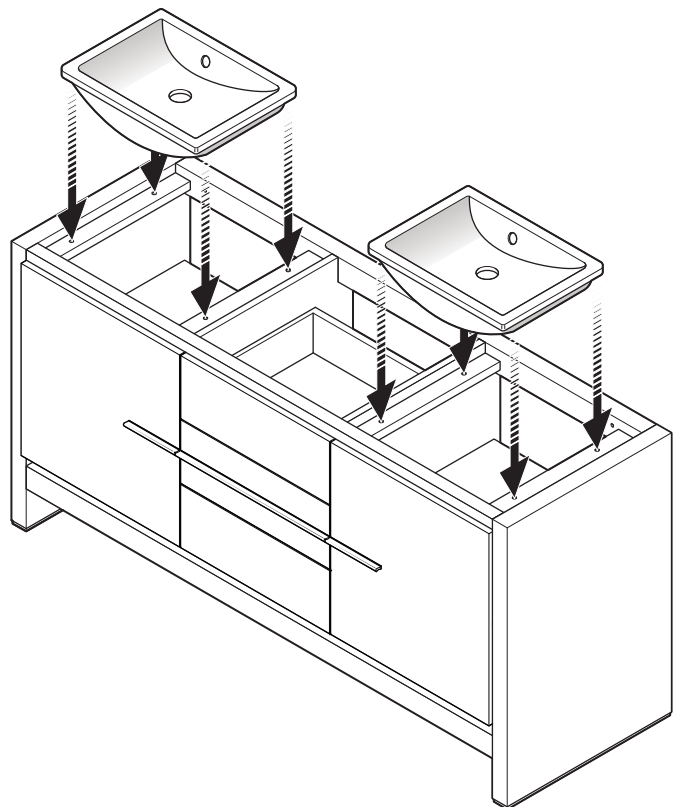
# SINK/COUNTERTOP INSTALLATION

## 1 Attach screws with the screwdriver

**IMPORTANT:** Consult an expert for the proper screws/bolts to use when attaching to various constructions. Screws provided do not attach to all wall construction types.



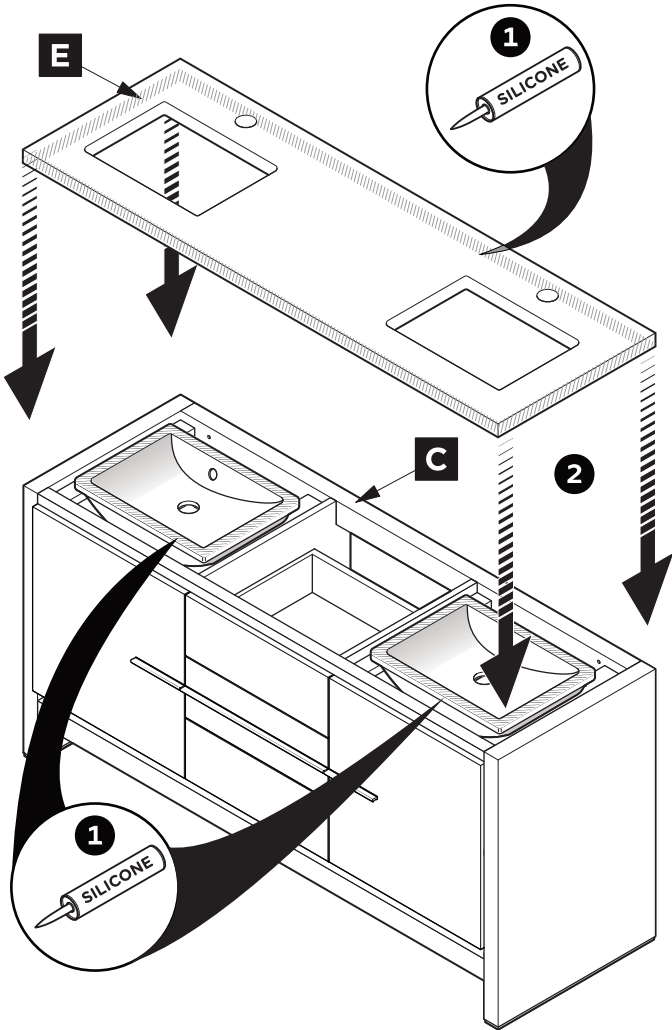
## 2 Install both sinks



# SINK/COUNTERTOP INSTALLATION

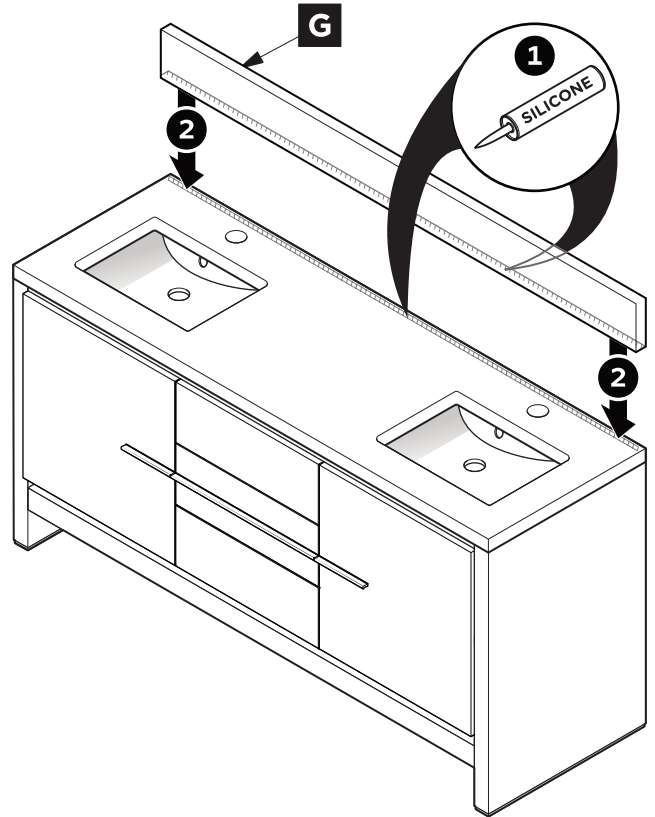
**3**

- ① Apply a bead of silicone on the bottom of the countertop (E) and top of the cabinet (C).
- ② Place countertop (E) on the top of the cabinet (C).



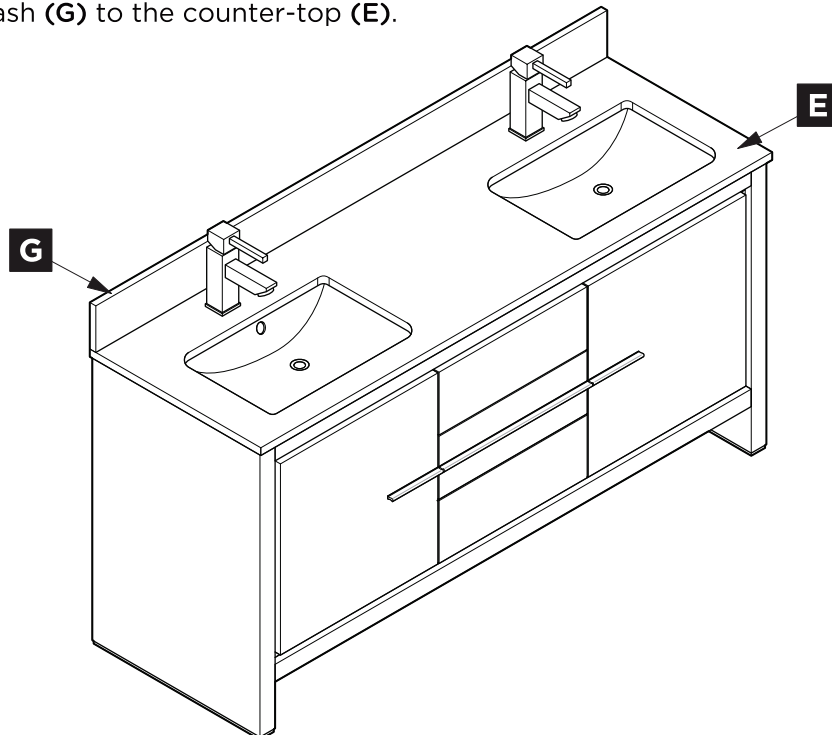
**4**

- Apply a bead of silicone on the bottom of the back-splash (G).



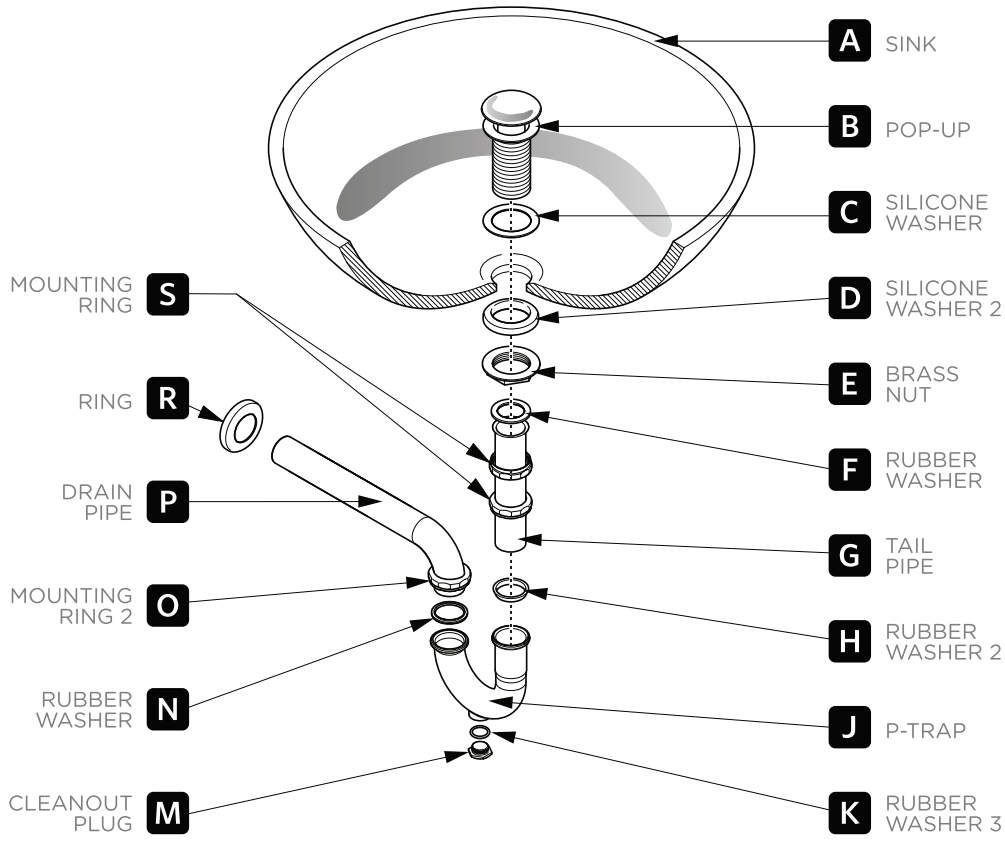
**5**

- Attach back splash (G) to the counter-top (E).



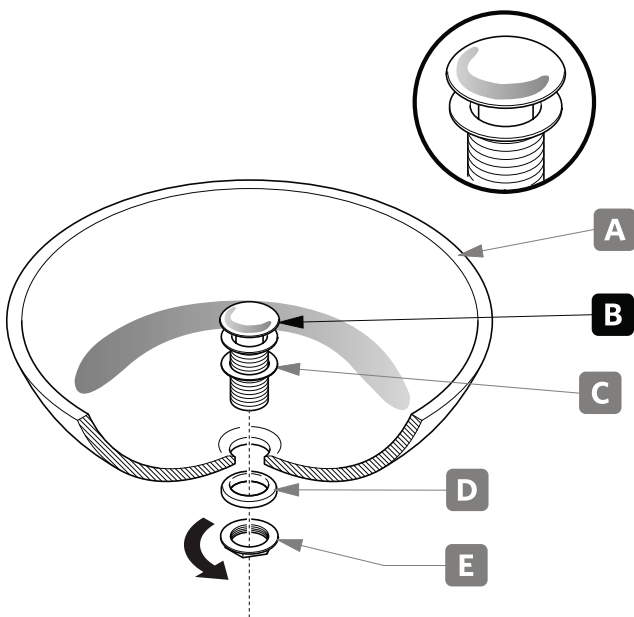
# P-TRAP & POP-UP INSTALLATION INSTRUCTIONS

Your item may appear slightly different from the illustration.



## POP-UP INSTALLATION INSTRUCTIONS

**FOR SINKS WITHOUT OVERFLOW**



OR

**FOR SINKS WITH OVERFLOW**

