



FVN8118HA

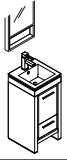
ALLIER

Rio

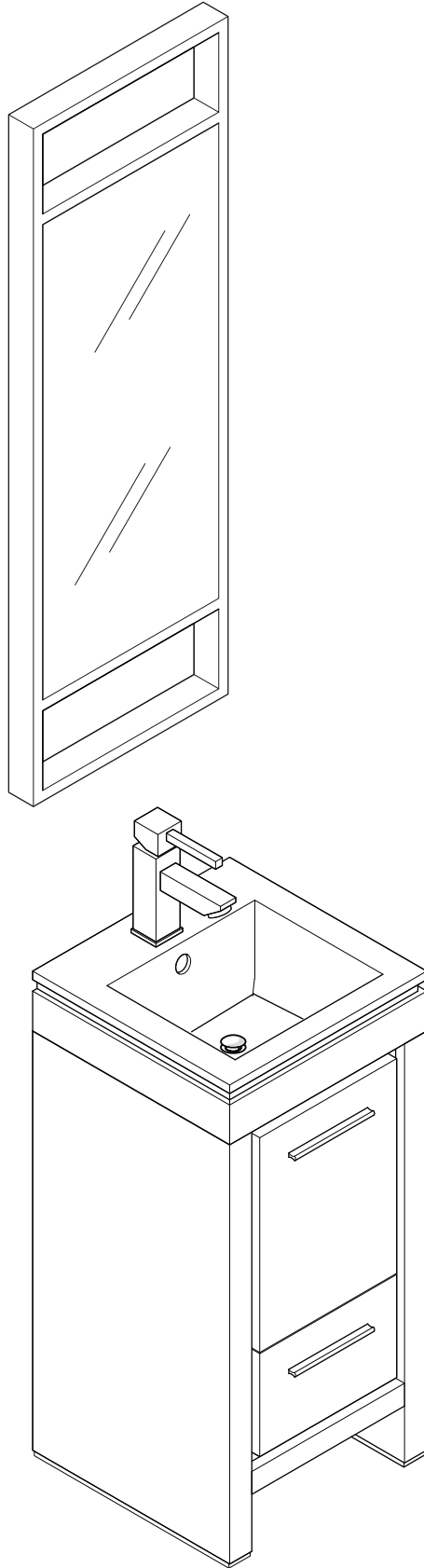
INSTALLATION GUIDE

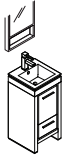
CONTENTS:

Cabinet.....	(FCB8118HA).....	PAGE 4
Sink.....	(FVS8118WH).....	PAGE 4
Mirror.....	(FMR8002SL).....	PAGE 3

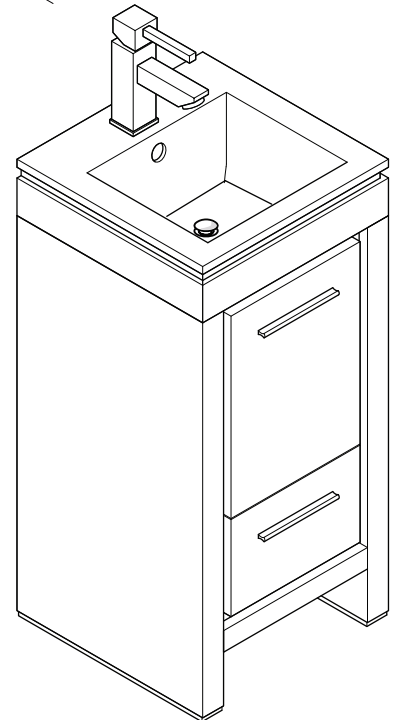
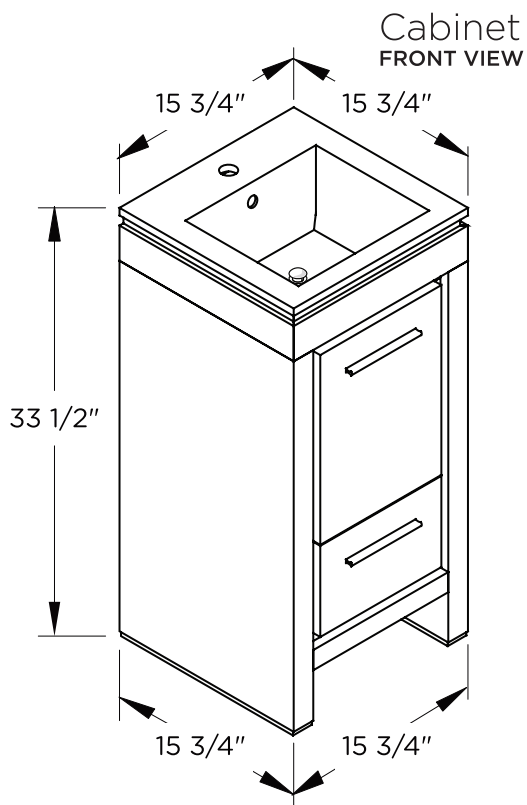
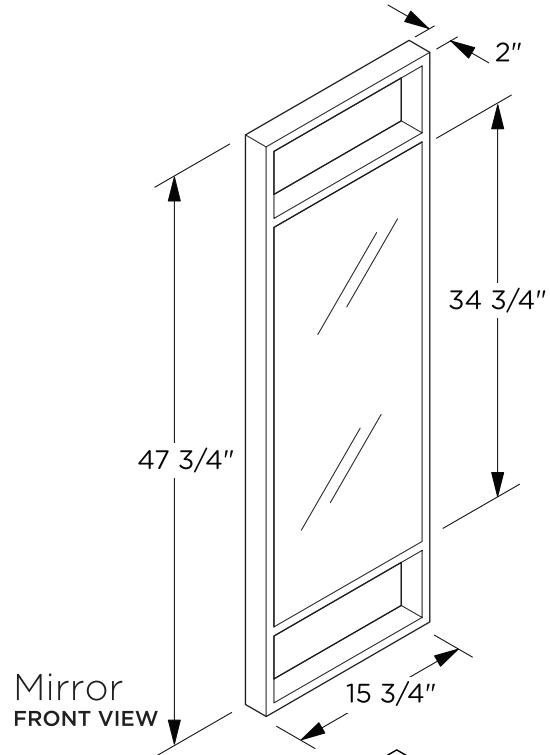
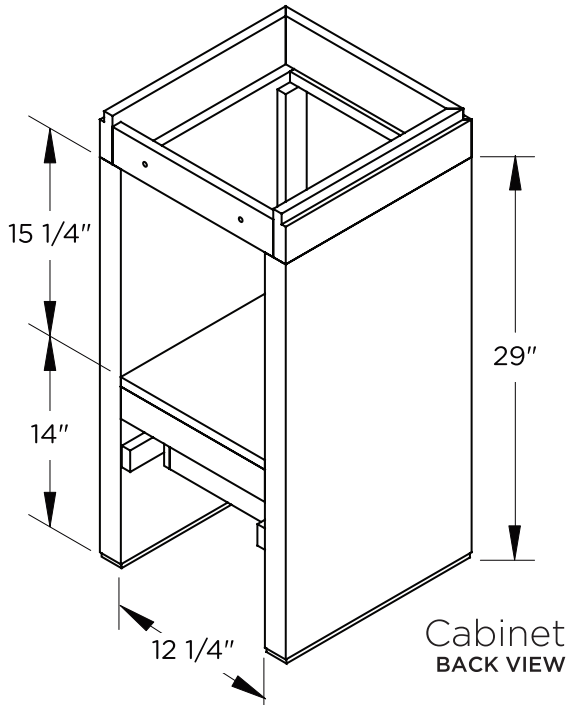


FVN8118HA ALLIER *Rio* INSTALLATION GUIDE



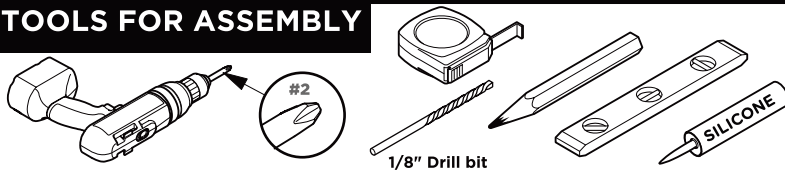


DIMENSIONS

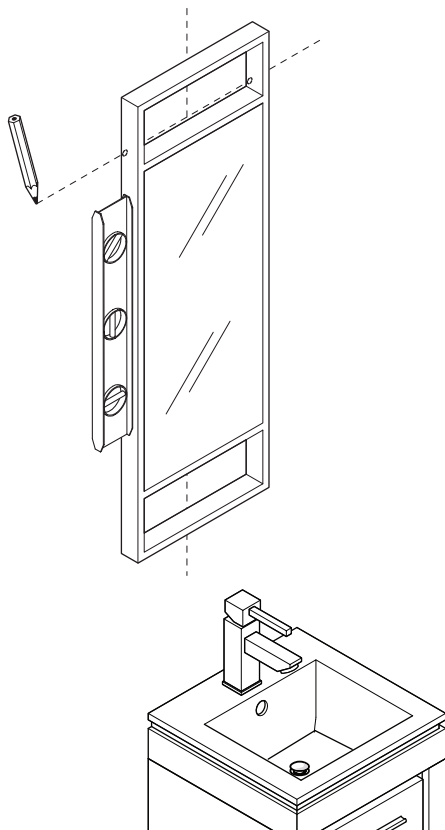
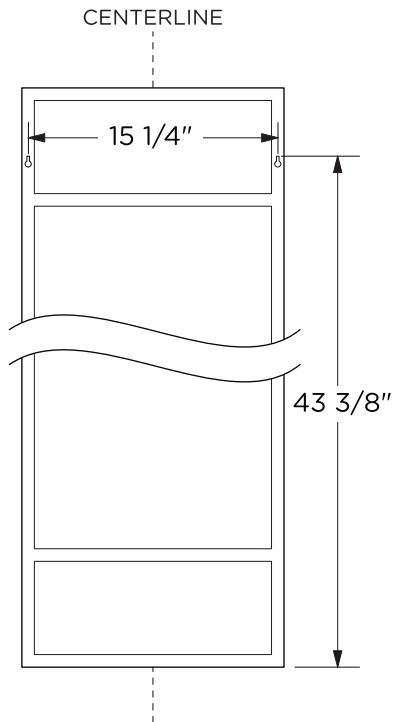


NOTE: ALL DIMENSIONS & SPECIFICATIONS ARE APPROXIMATE AND SUBJECT TO CHANGE WITHOUT NOTICE.

TOOLS FOR ASSEMBLY

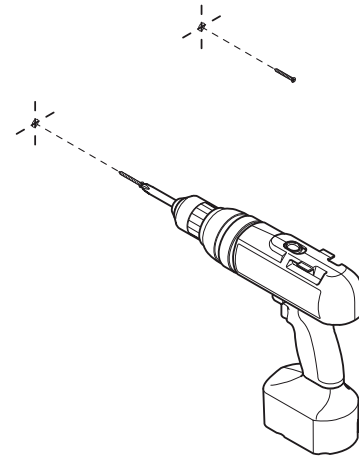


- 1** Measure distance between the holes and mark it on the wall using a level.



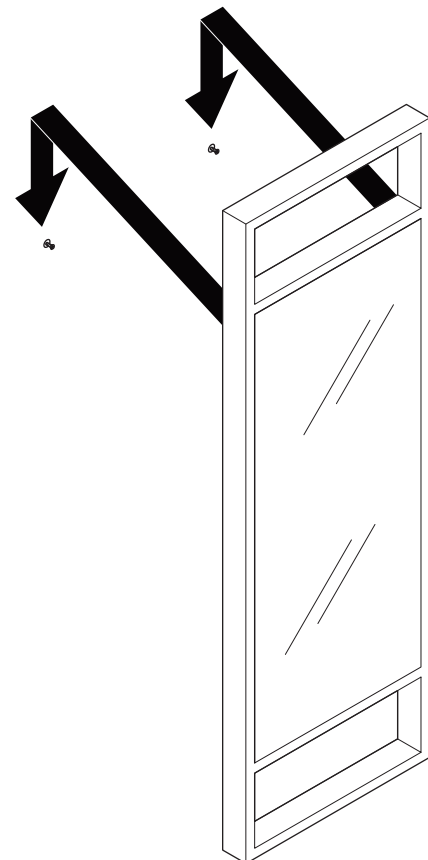
MIRROR INSTALLATION

- 2** Drill the screws into the wall.



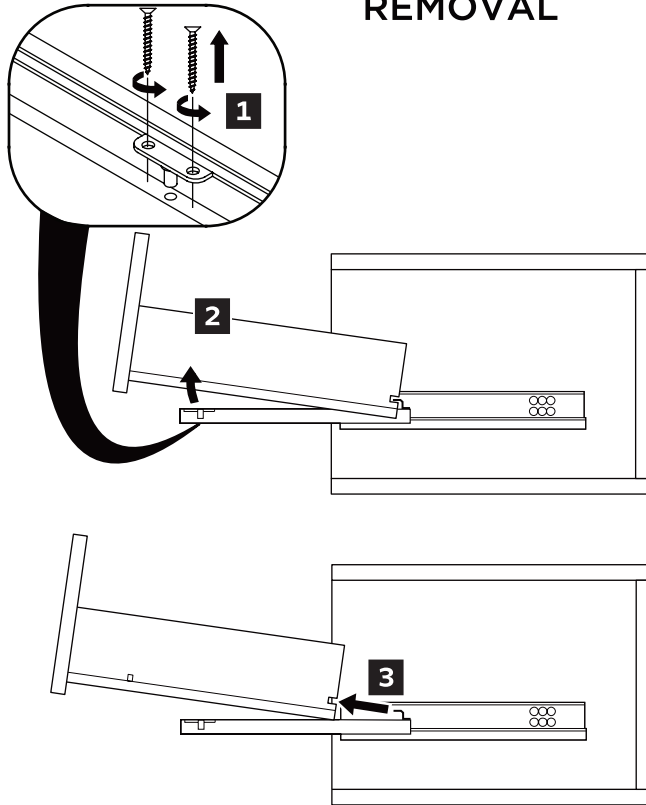
IMPORTANT: Consult an expert for the proper screws/bolts to use when attaching to various constructions. Screws provided **do not** attach to all wall construction types. Anchors are not required if brackets are installed in stud.

- 3** Hang mirror on the screws.

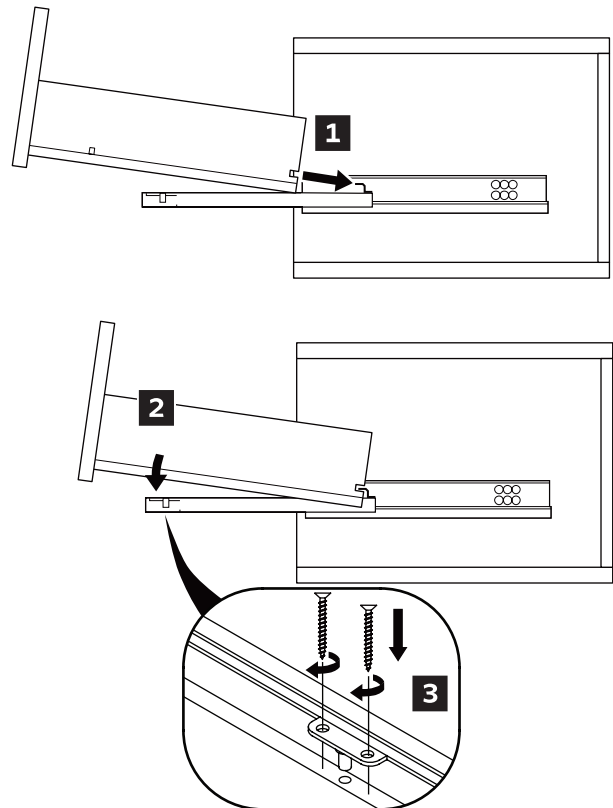


DRAWER REMOVAL & INSTALLATION

REMOVAL



INSTALLATION

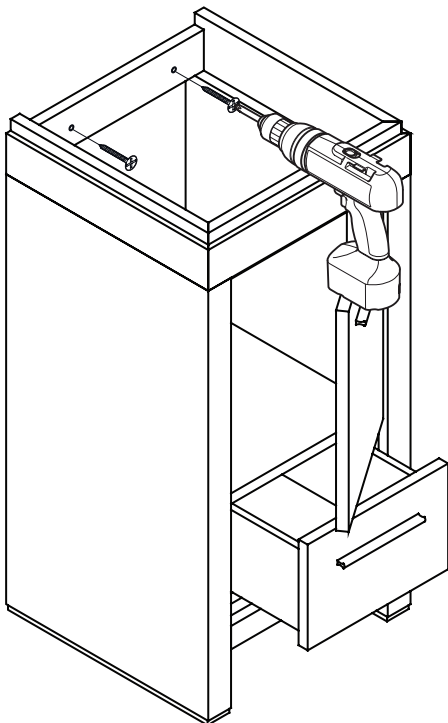


CABINET INSTALLATION

1

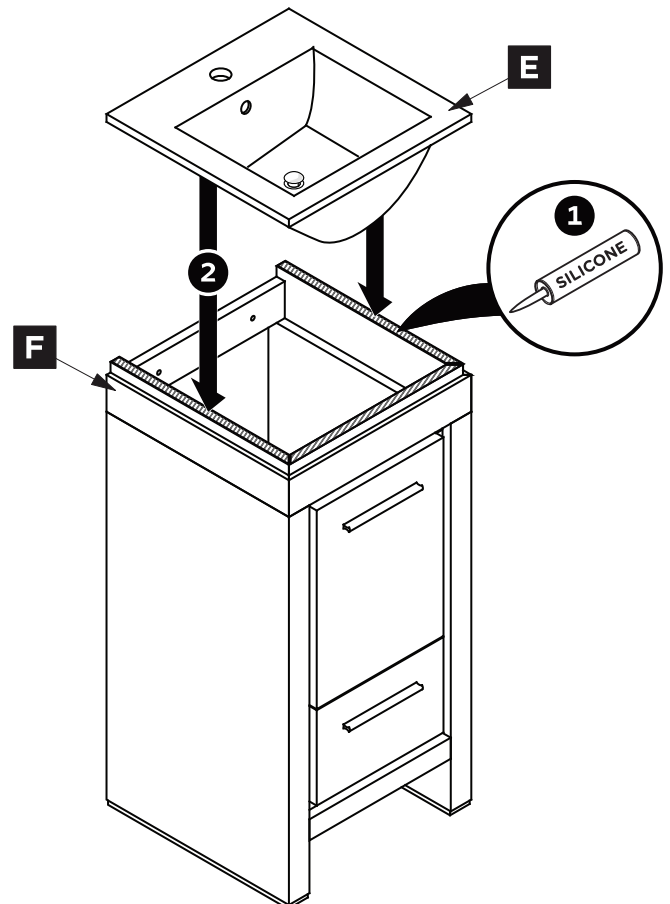
Attach cabinet to the wall with the screws. Open front drawer for ease of access.

IMPORTANT: Consult an expert for the proper screws/bolts to use when attaching to various constructions. Screws provided **do not** attach to all wall construction types. Anchors are not required if brackets are installed in stud.



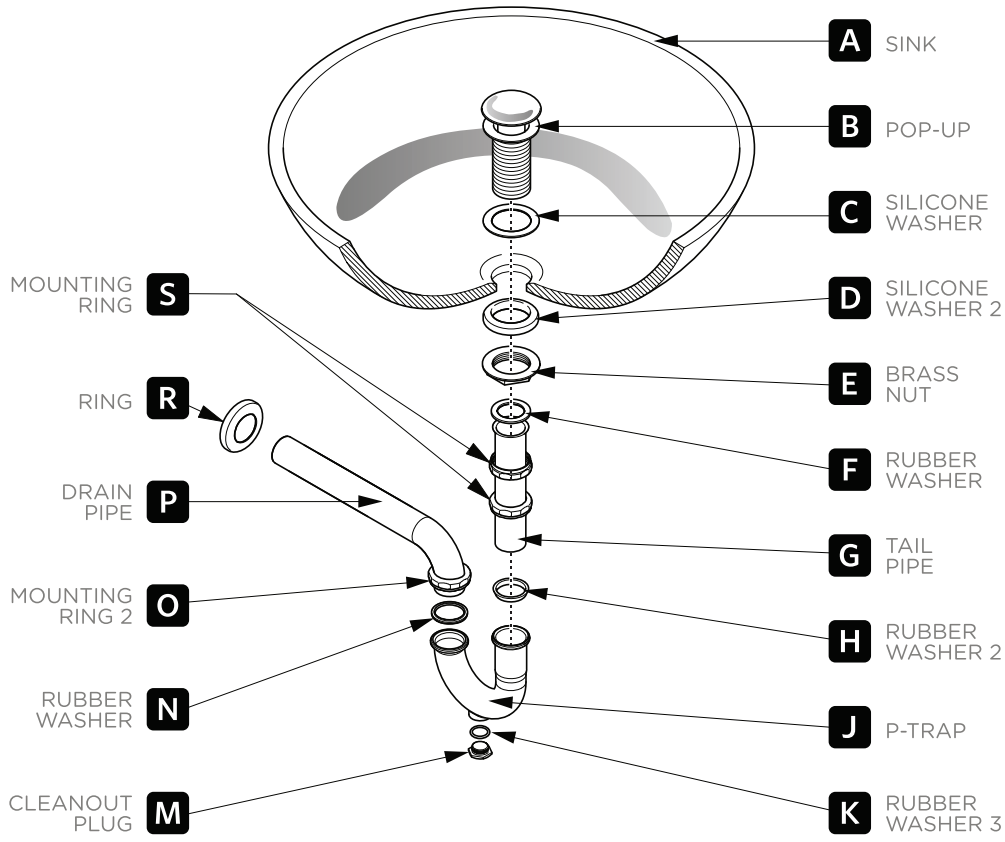
2

Apply a bead of silicone on the top of the cabinet (F) and place sink (E) on the cabinet.



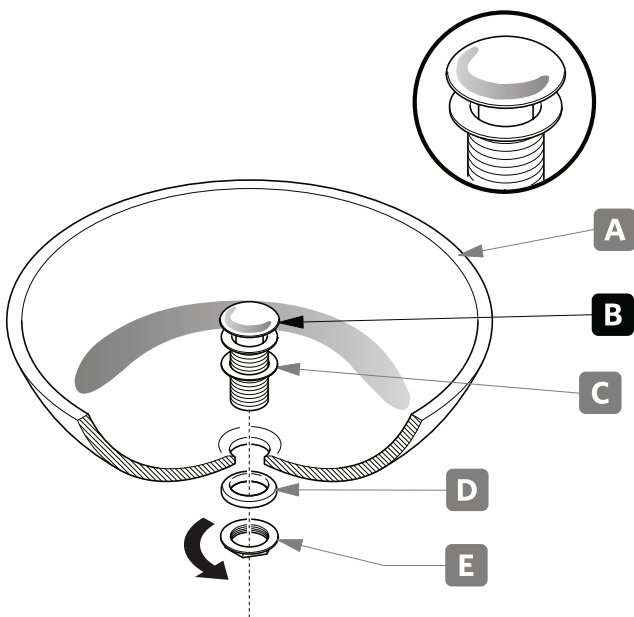
P-TRAP & POP-UP INSTALLATION INSTRUCTIONS

Your item may appear slightly different from the illustration.



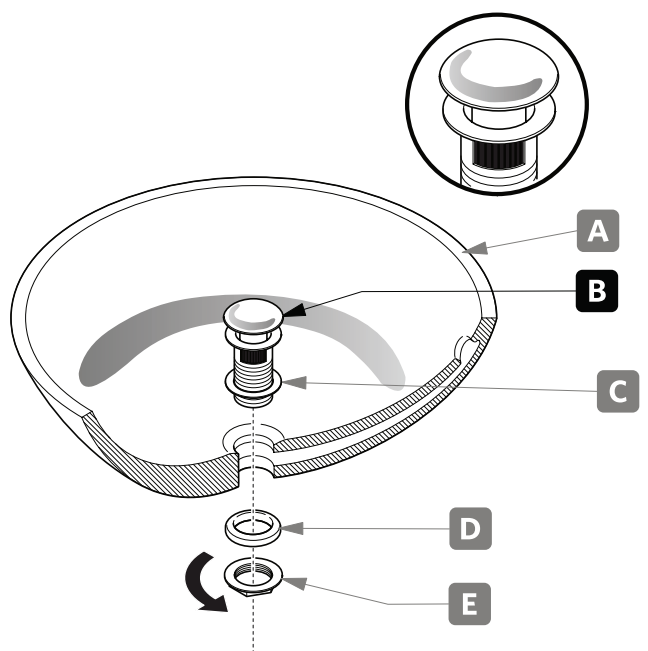
POP-UP INSTALLATION INSTRUCTIONS

FOR SINKS WITHOUT OVERFLOW



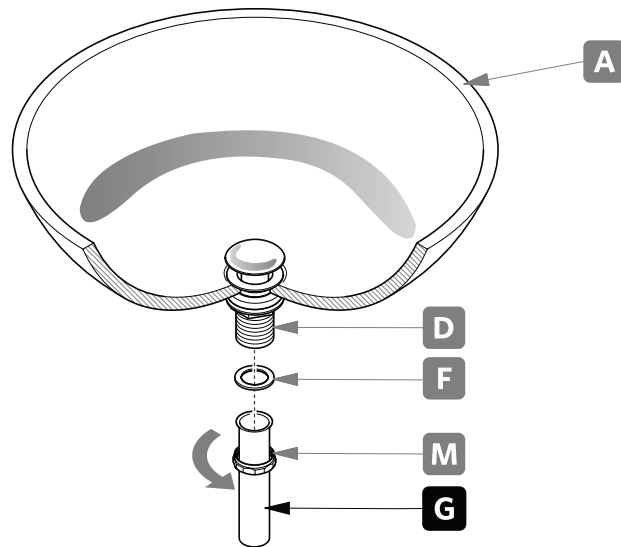
OR

FOR SINKS WITH OVERFLOW



P-TRAP INSTALLATION

1 Install tail pipe (G).



2 Install P-trap (J).

