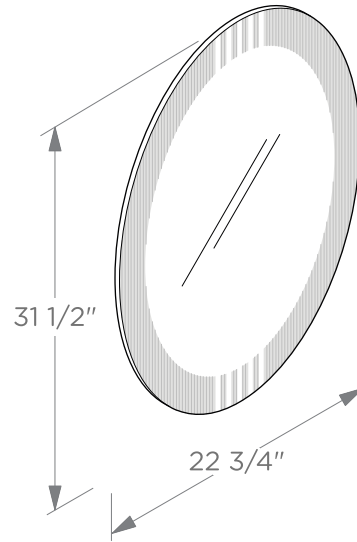
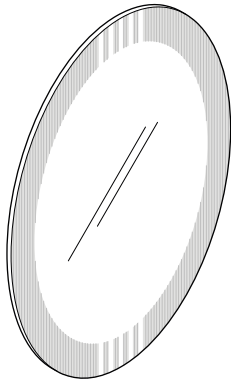
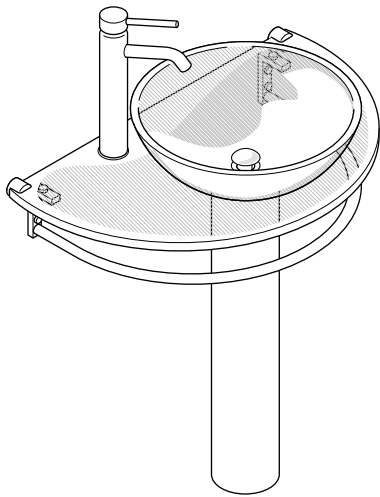


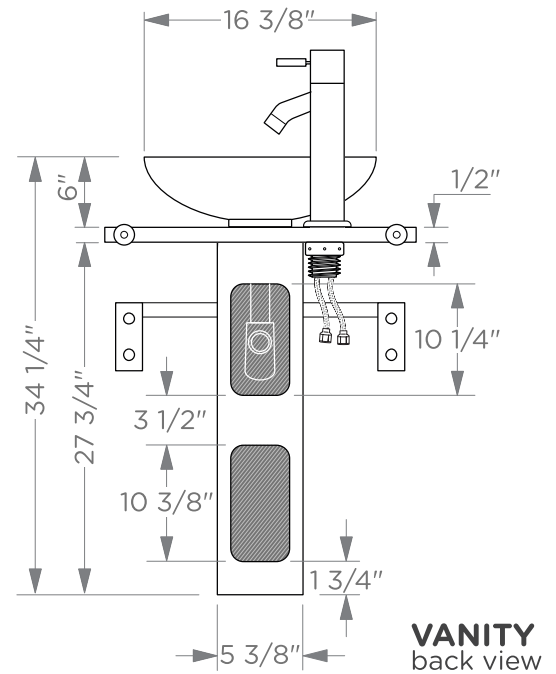
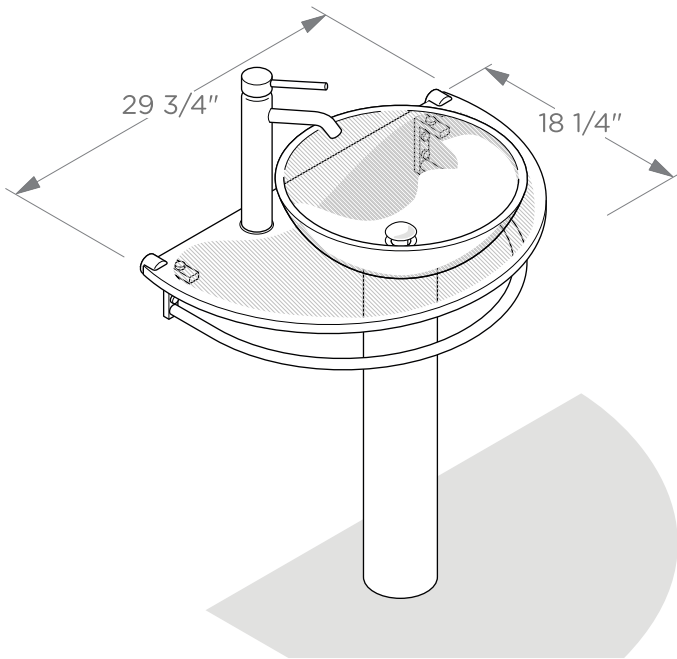
**FVN1060**  
**ATTRAZIONE**  
**INSTALLATION GUIDE**



**MIRROR**  
 front view



**VANITY**  
 front view



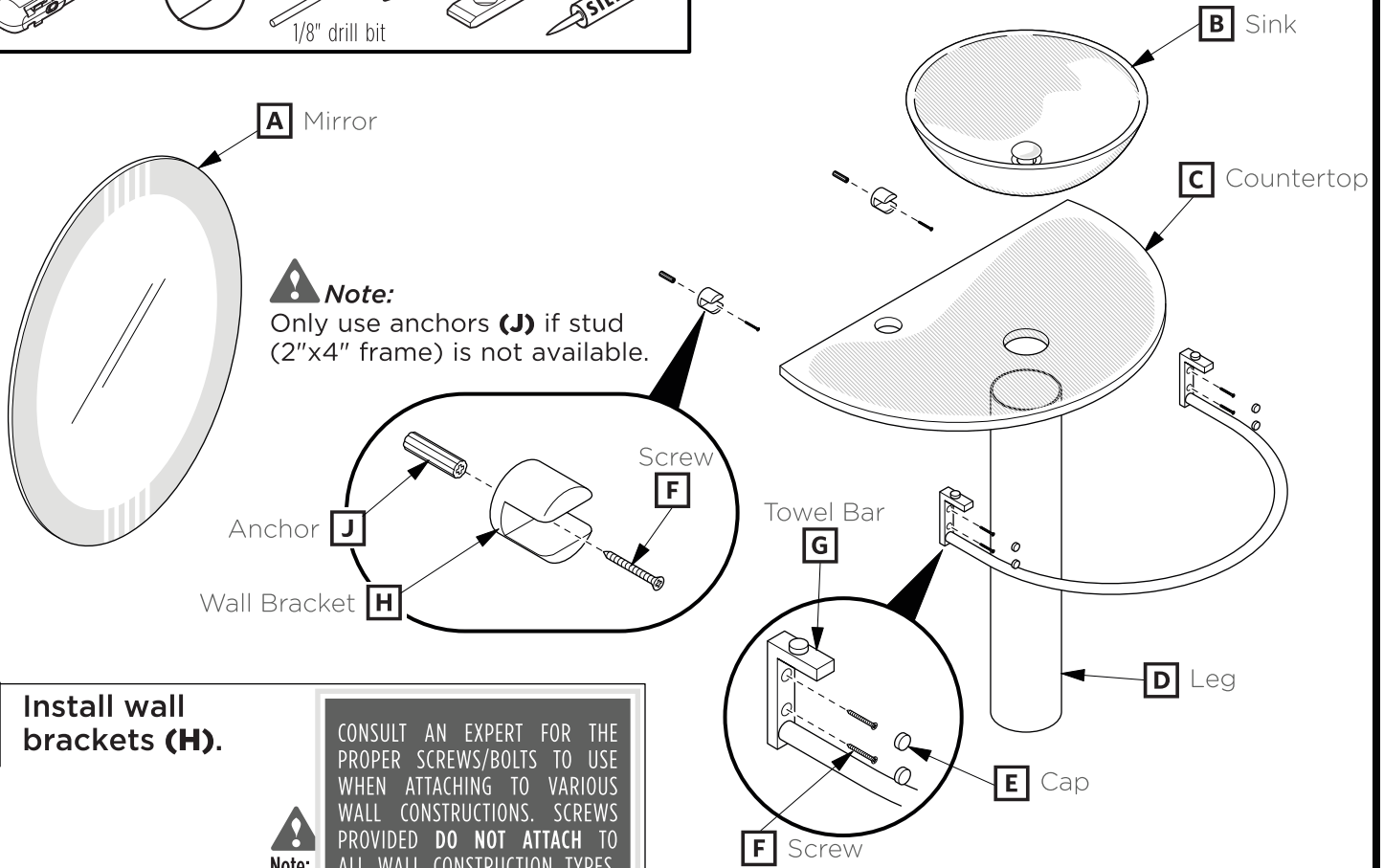
**VANITY**  
 back view

 ALL DIMENSIONS & SPECIFICATIONS ARE APPROXIMATE AND SUBJECT TO CHANGE WITHOUT NOTICE.

**TOOLS FOR ASSEMBLY**



**PARTS**

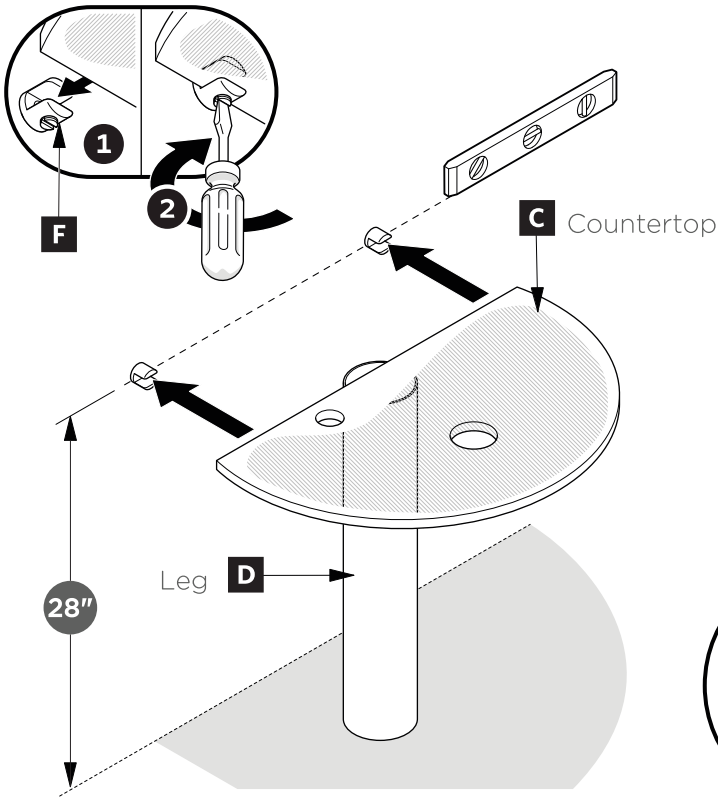


**1. Install wall brackets (H).**

CONSULT AN EXPERT FOR THE PROPER SCREWS/BOLTS TO USE WHEN ATTACHING TO VARIOUS WALL CONSTRUCTIONS. SCREWS PROVIDED DO NOT ATTACH TO ALL WALL CONSTRUCTION TYPES.

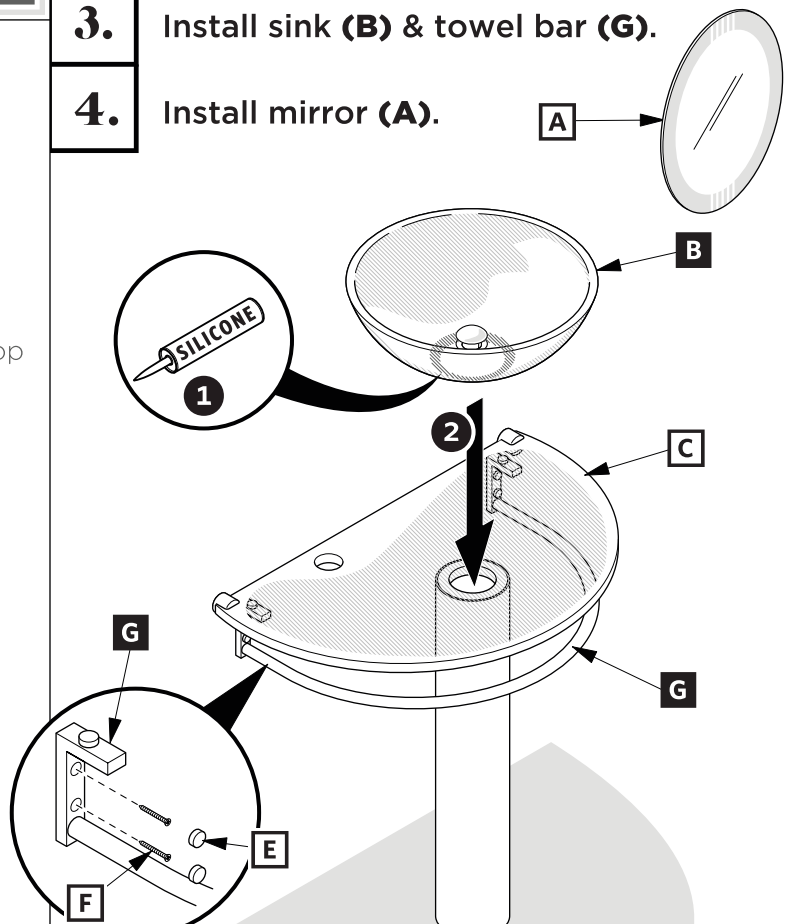


**2. Locate a leg (D) & install countertop (C).**



**3. Install sink (B) & towel bar (G).**

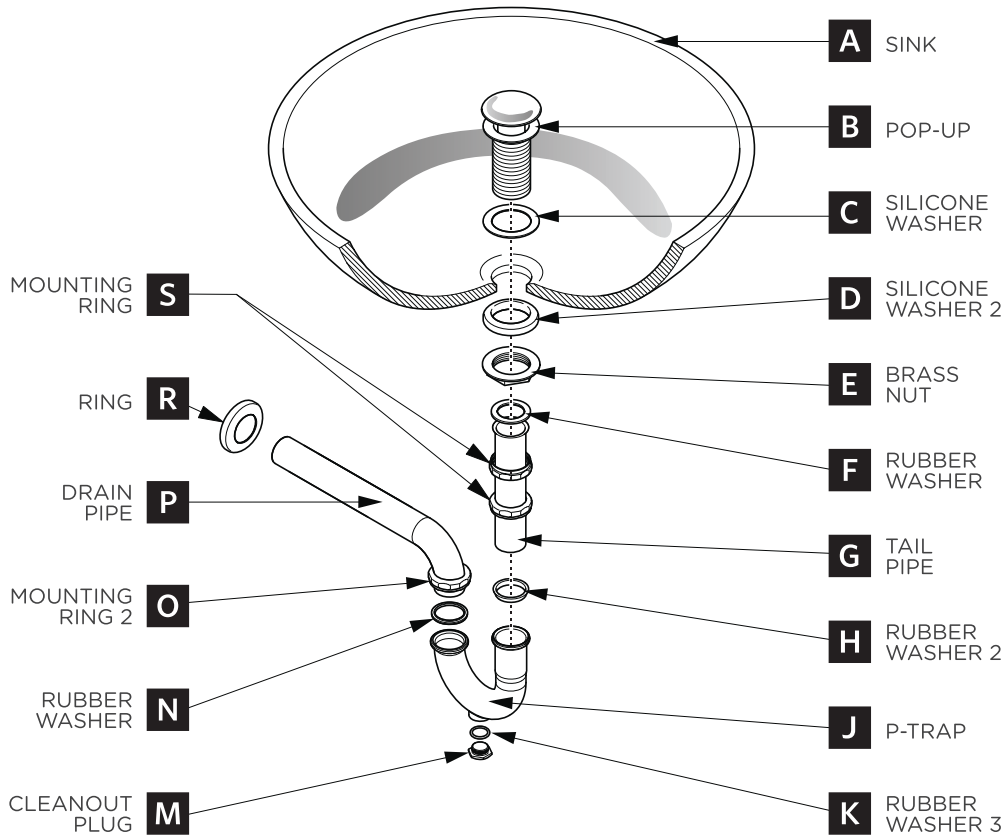
**4. Install mirror (A).**



# P-TRAP & POP-UP

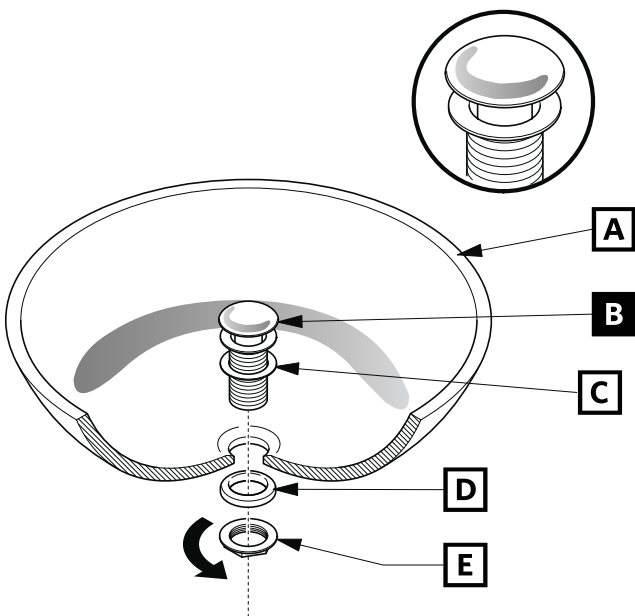
## INSTALLATION INSTRUCTIONS

Your item may appear slightly different from the illustration.



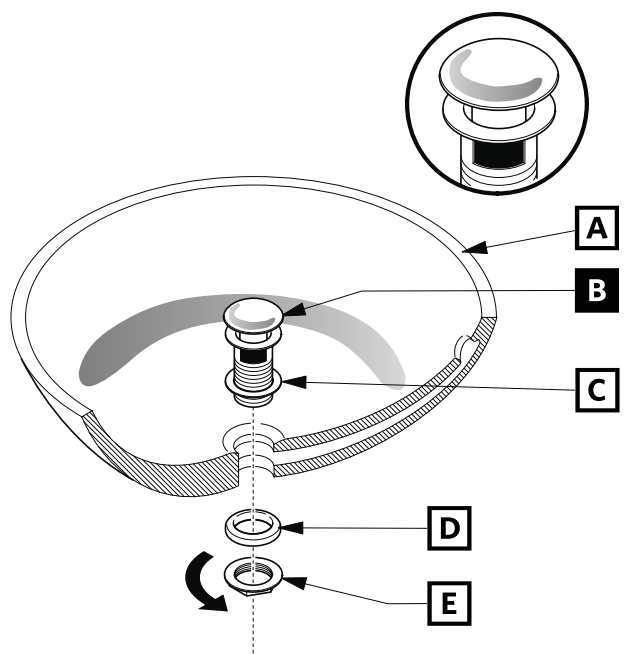
## POP-UP INSTALLATION

### FOR SINKS WITHOUT OVERFLOW



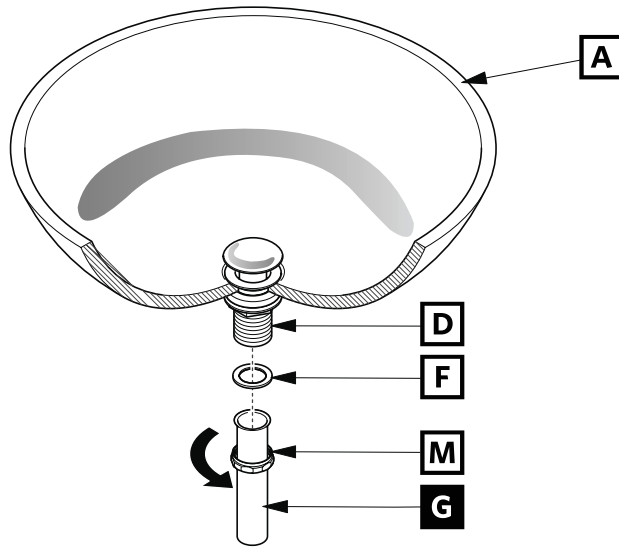
OR

### FOR SINKS WITH OVERFLOW



# P-TRAP INSTALLATION

## 1. Install tail pipe (G)



## 2. Install P-trap (J)

