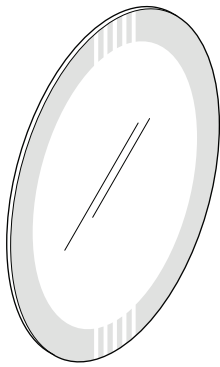
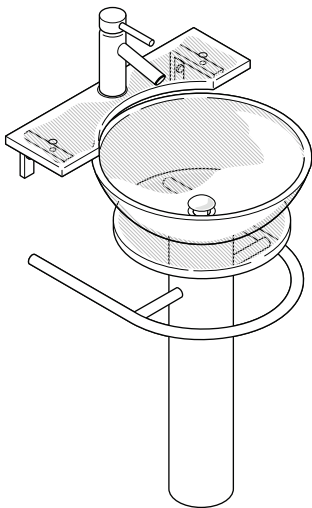
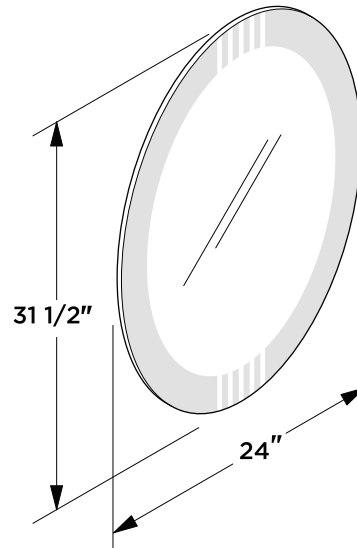


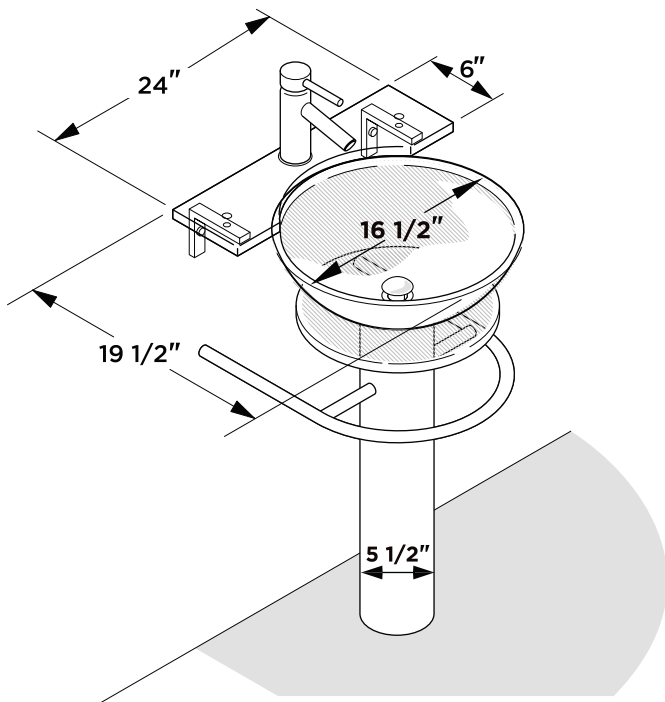
FVN1019
OVALE
INSTALLATION GUIDE



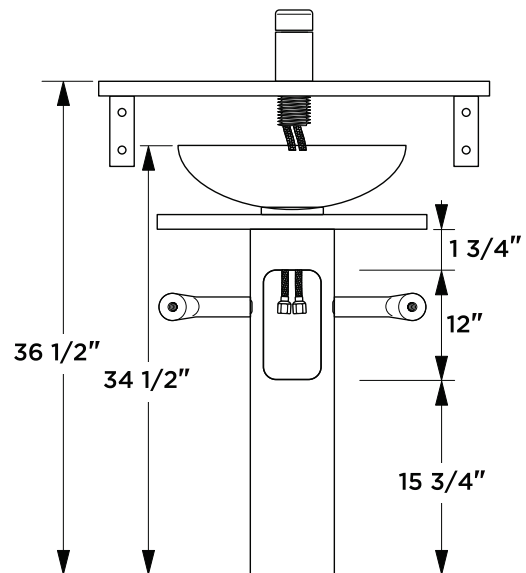
Mirror



Vanity Front

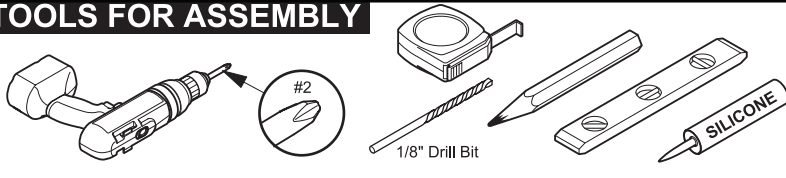


Vanity Back

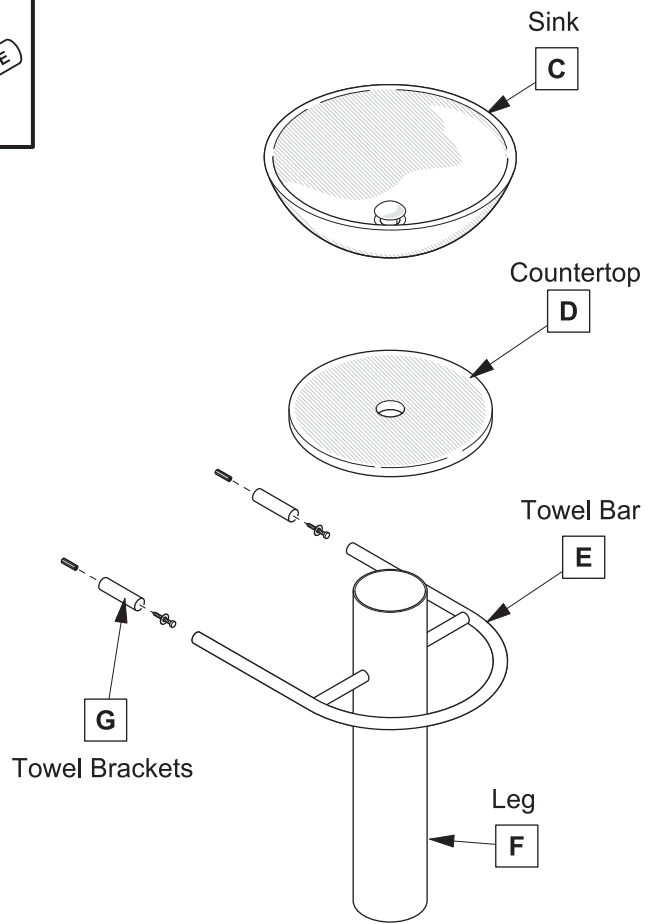
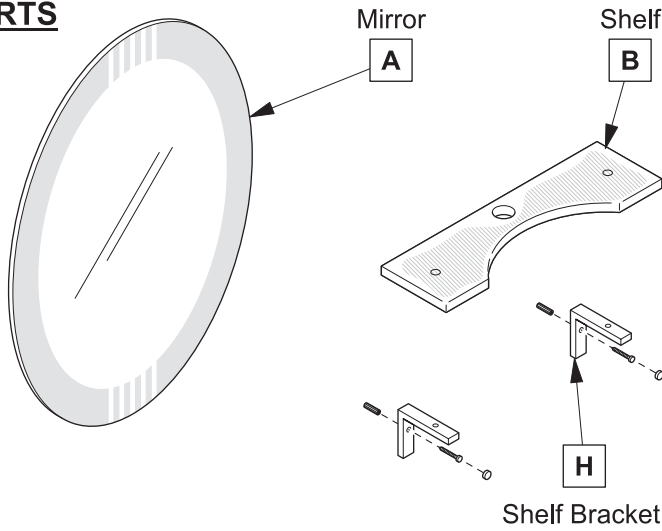


Note: All dimensions and specifications are approximate and subject to change without notice.

TOOLS FOR ASSEMBLY



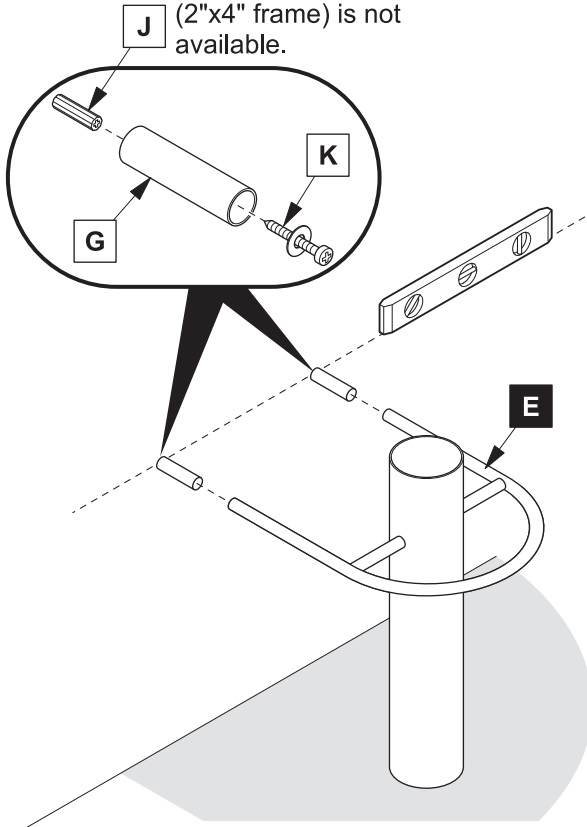
PARTS



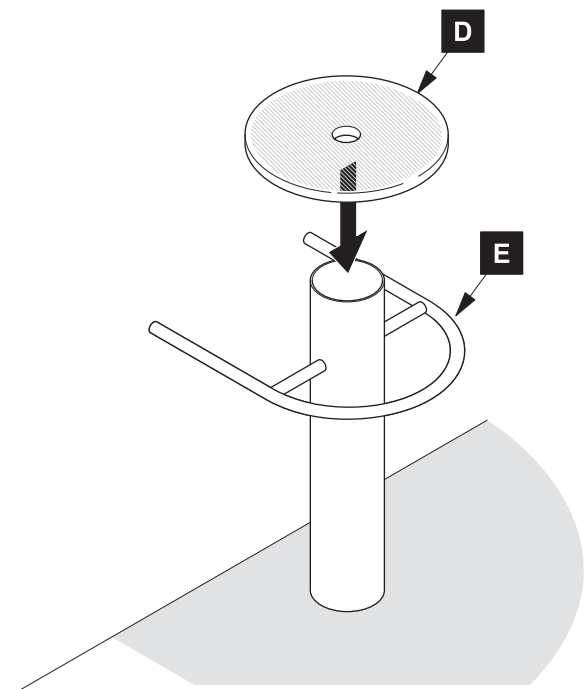
1 Install towel bar (E)

IMPORTANT: Consult an expert for the proper screws/bolts to use when attaching to various wall constructions. Screws provided **do not** attach to all wall construction types.

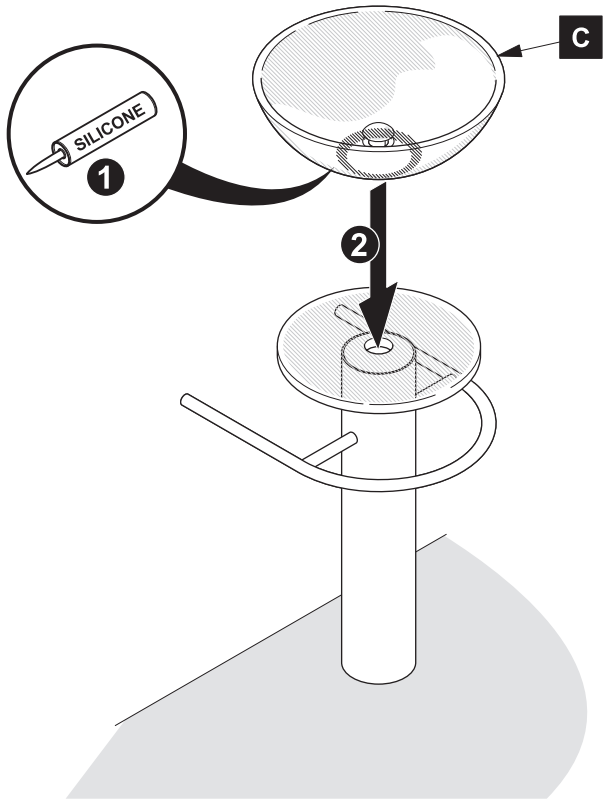
NOTE: Only use anchors (J) if stud (2"x4" frame) is not available.



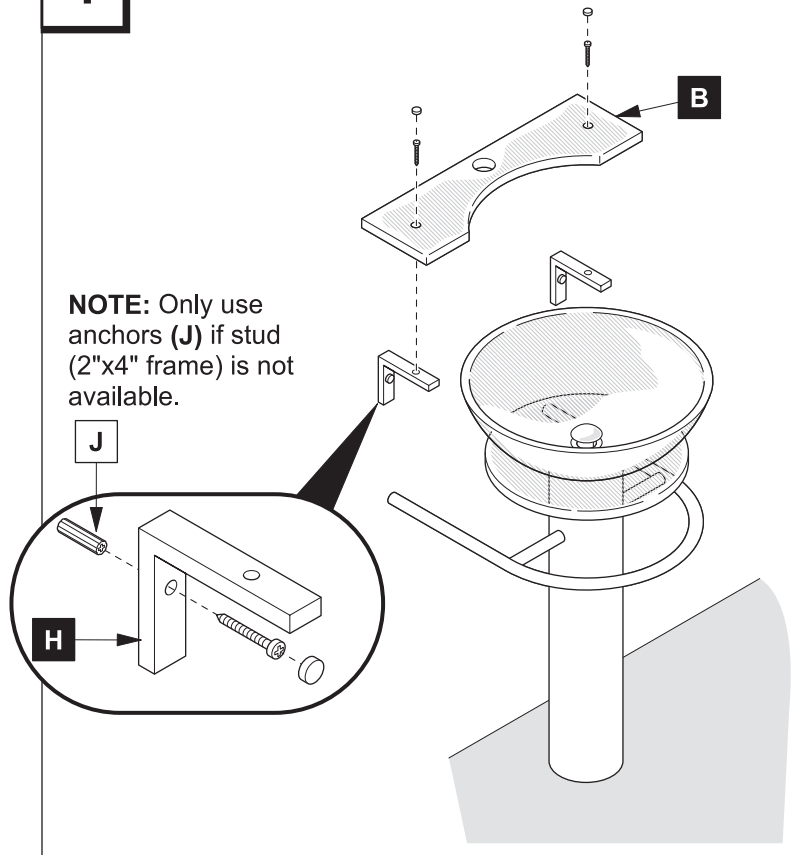
2 Install countertop (D)



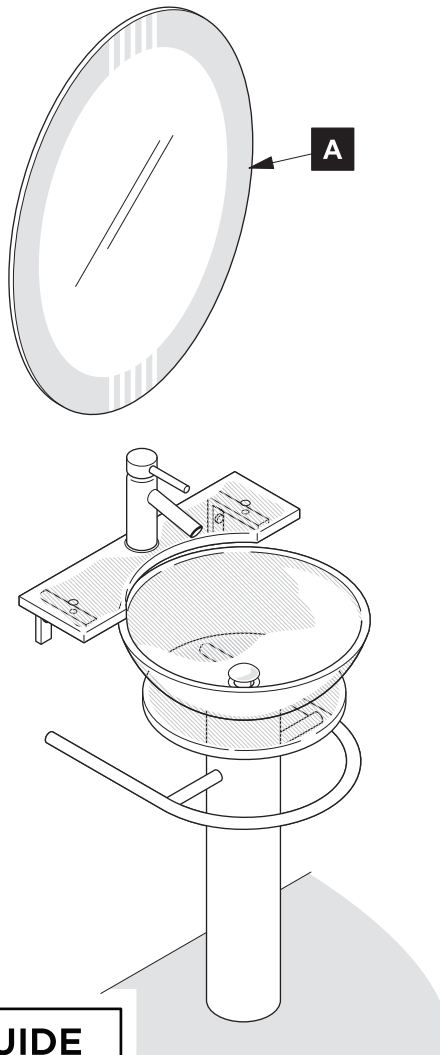
3 Install sink (C)



4 Install shelf (B)

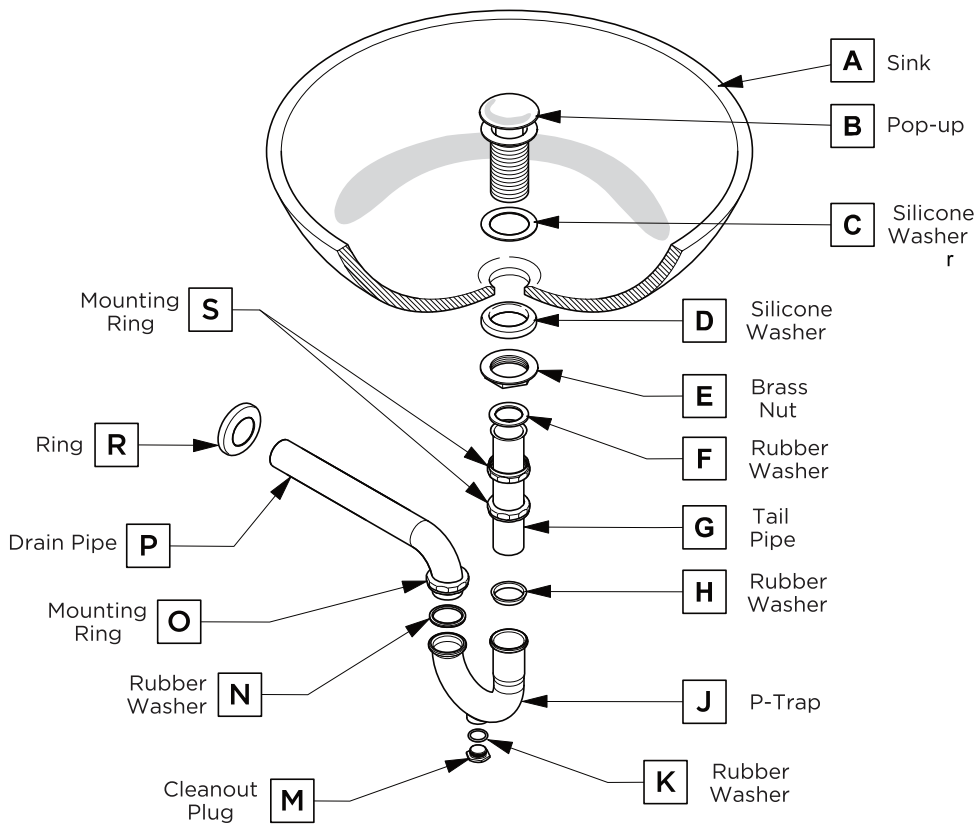


5 Install mirror (A)



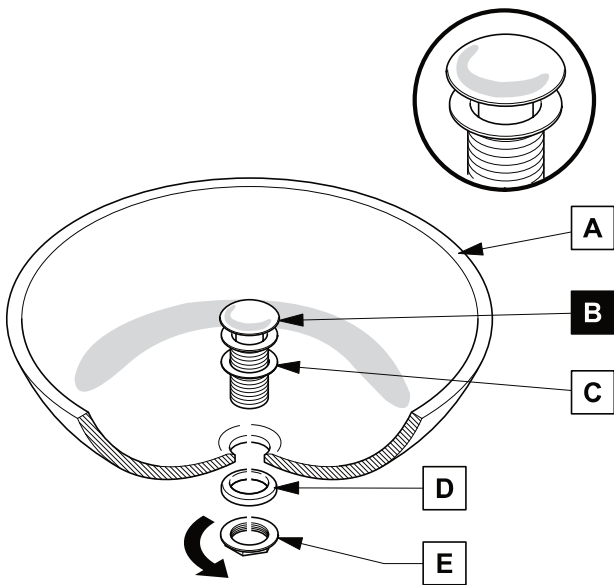
P-TRAP AND POP-UP INSTALLATION INSTRUCTIONS

Your item may appear slightly different from the illustration



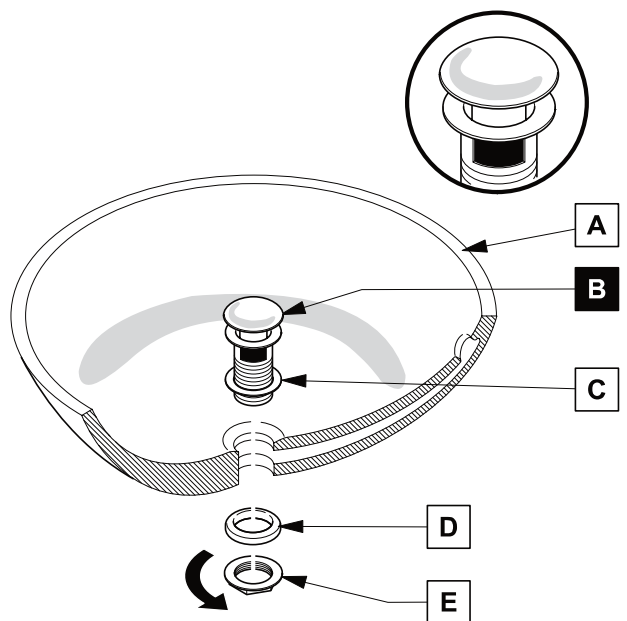
POP-UP INSTALLATION

FOR SINKS WITHOUT OVERFLOW



OR

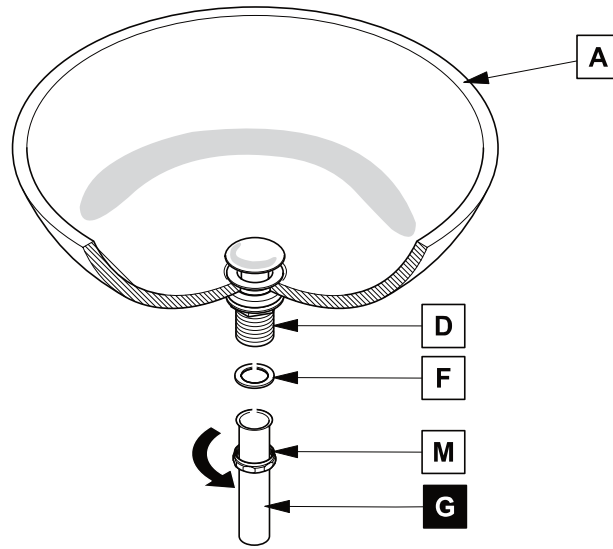
FOR SINKS WITH OVERFLOW



P-TRAP INSTALLATION

1

Install tail pipe (G)



2

Install p-trap (J)

