



# CODA

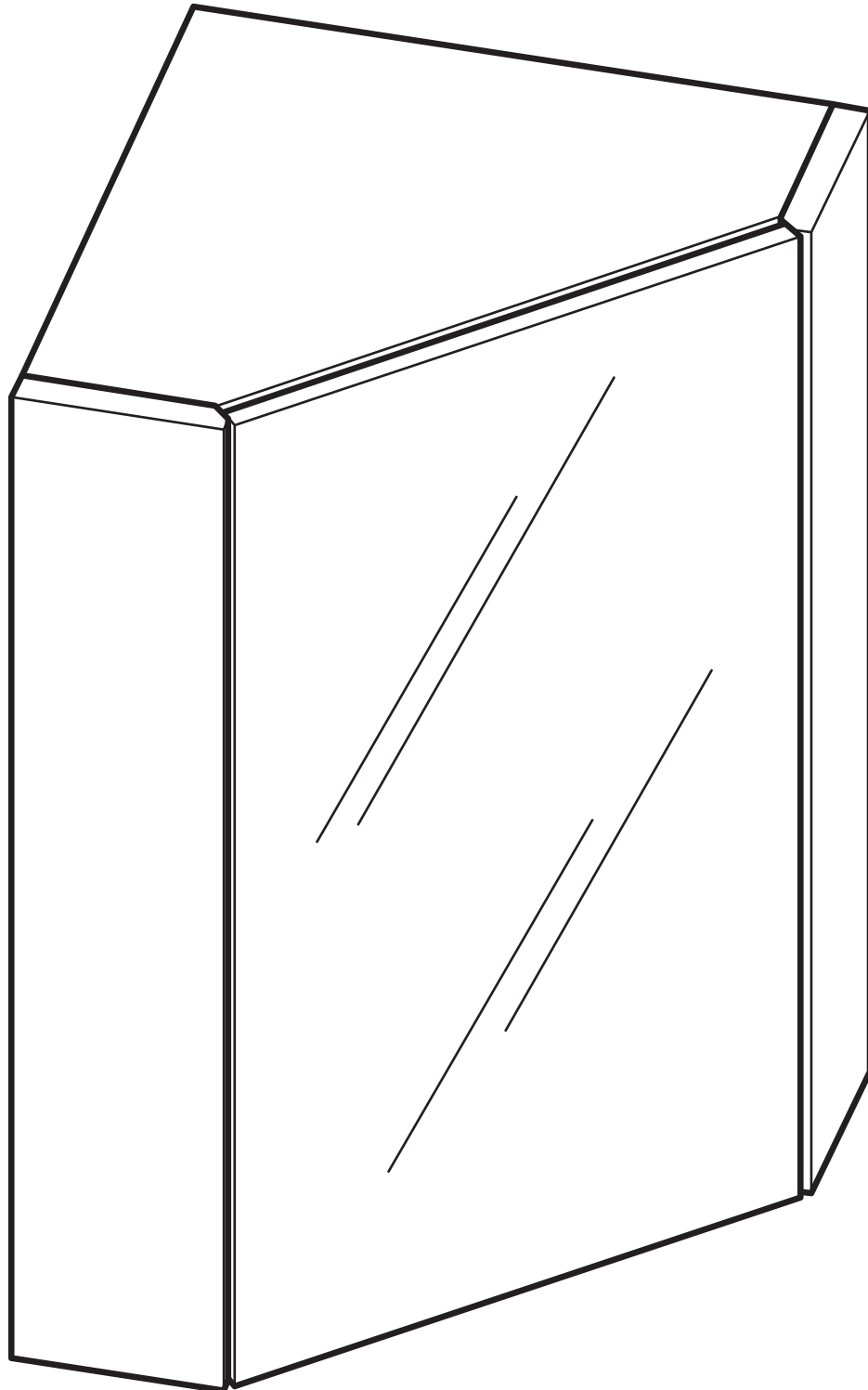
**INSTALLATION GUIDE**

**FMC5082**

**FMC5084**



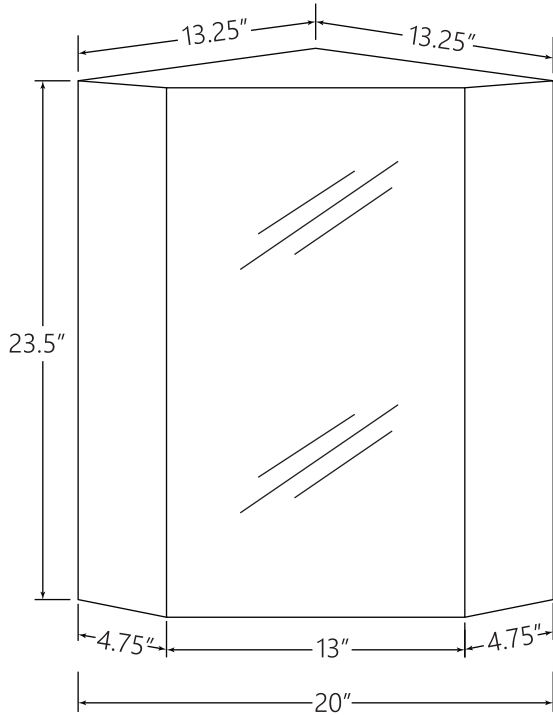
**FMC5082/FMC5084**  
**CODA**  
**INSTALLATION GUIDE**



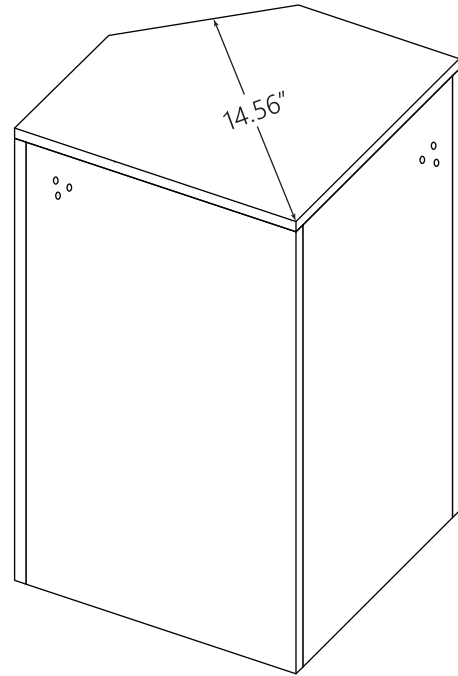


## DIMENSIONS

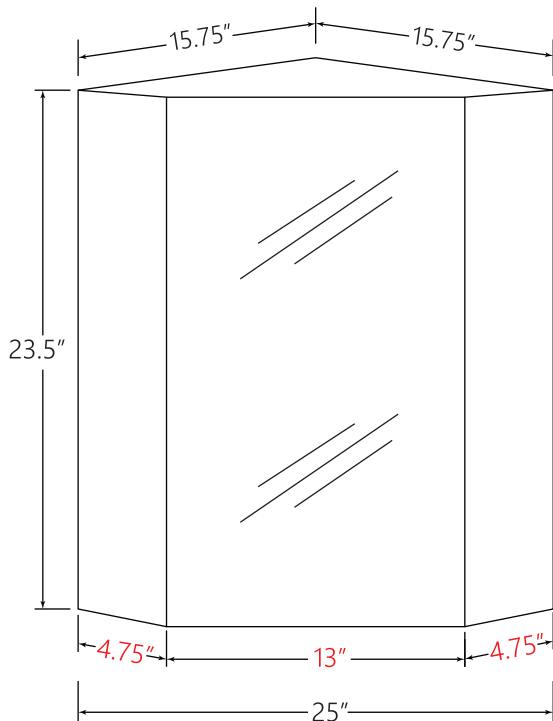
CODA(FMC5082)  
FRONT VIEW



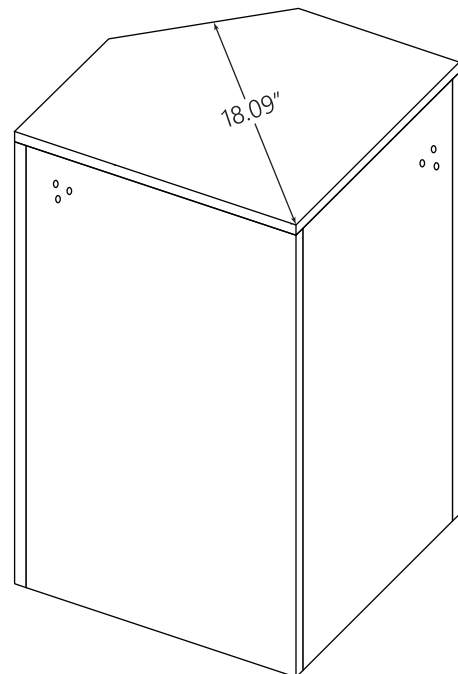
CODA(FMC5082)  
BACK VIEW

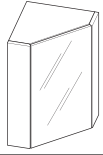


CODA(FMC5084)  
FRONT VIEW



CODA(FMC5084)  
BACK VIEW





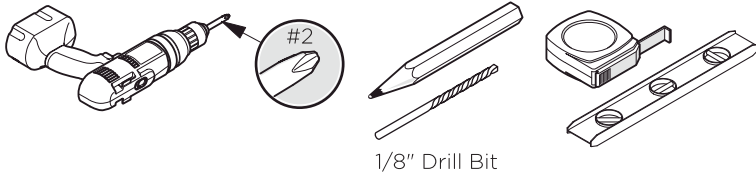
# FMC5082/FMC5084

## CODA

### INSTALLATION GUIDE



### TOOLS FOR ASSEMBLY

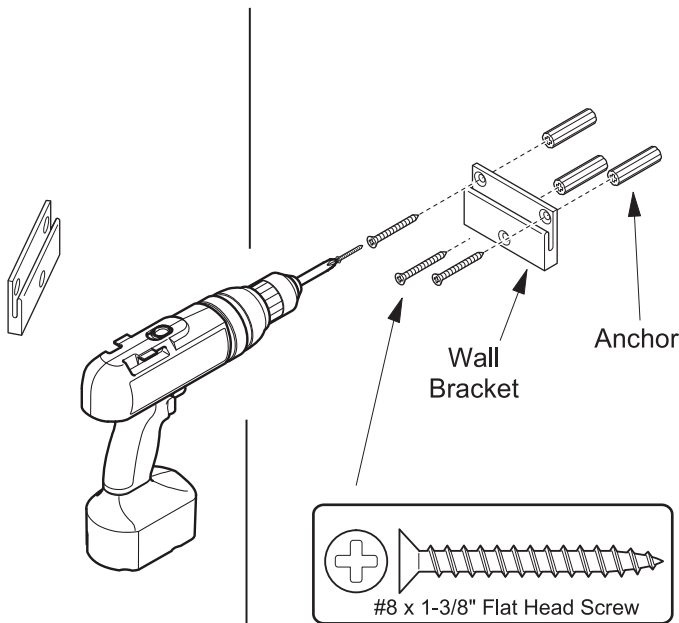


### MEDICINE CABINET DIMENSIONS

Model SKU	Width	Height	Depth
FMC5082WH	20"	23.5"	13.25"
FMC5084WH	25"	23.5"	15.75"

## INSTALLATION

**1** Install wall brackets.



**IMPORTANT:** Consult an expert for the proper screws/bolts to use when attaching to various constructions. Screws provided do not attach to all wall construction types. Anchors are not required if brackets are installed in stud.

**2** Install medicine cabinet.

