



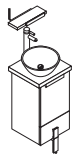
FVN8110

ADOUR

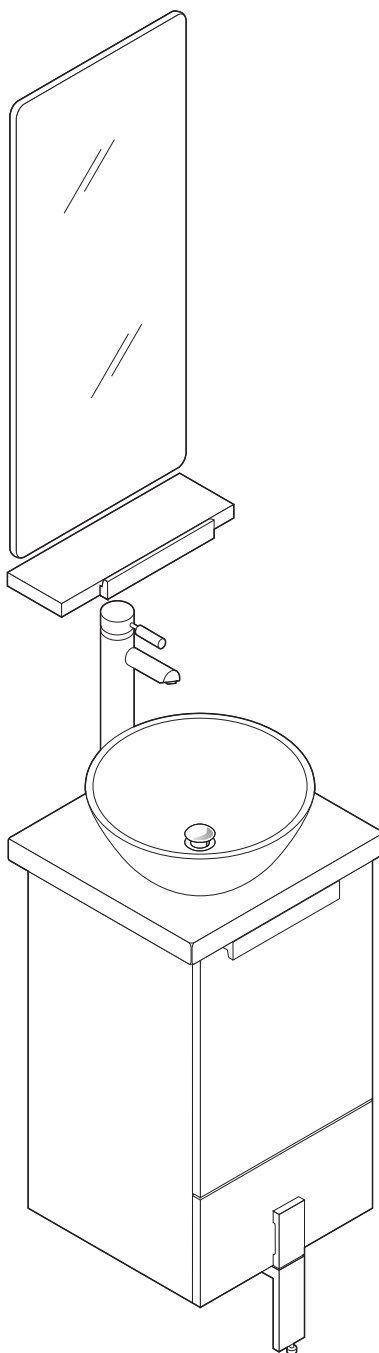
INSTALLATION GUIDE

CONTENTS:

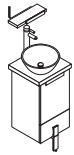
Cabinet.....	(FCB8110).....	PAGE 5
Sink.....	(FVS8110).....	PAGE 5
Mirror.....	(FMR8110).....	PAGE 3



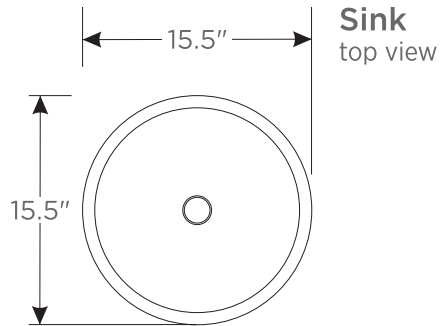
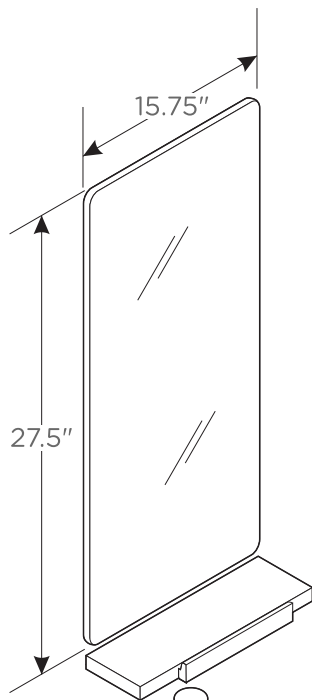
FVN8110 ADOUR INSTALLATION GUIDE



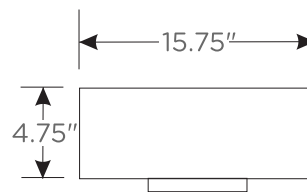
NOTE: ALL DIMENSIONS & SPECIFICATIONS ARE APPROXIMATE AND SUBJECT TO CHANGE WITHOUT NOTICE.



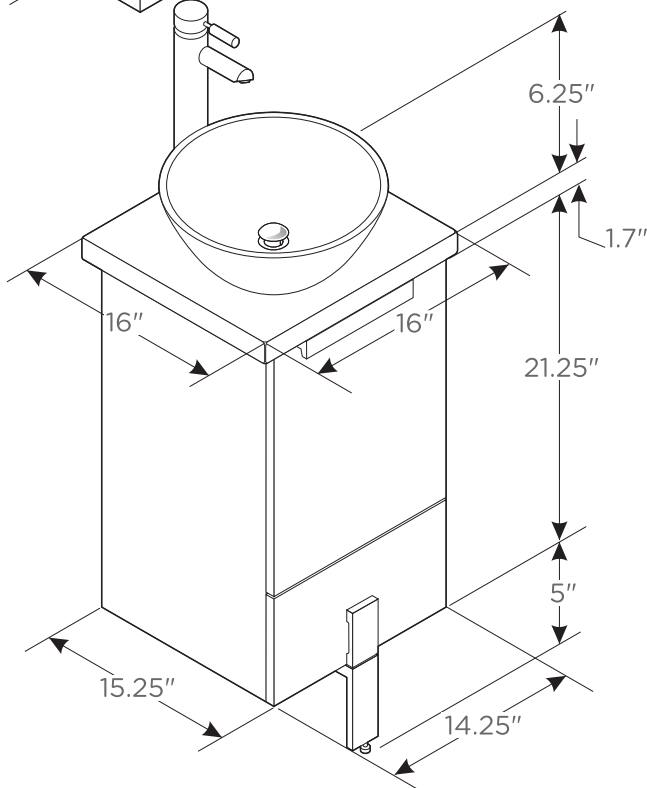
FVN8110 ADOUR INSTALLATION GUIDE



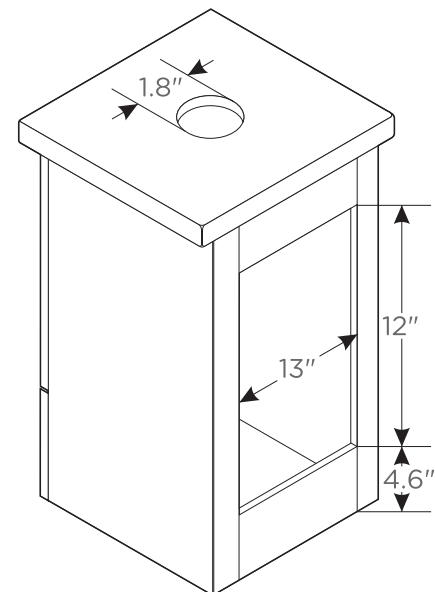
Sink
top view



Shelf
top view



Vanity Ensemble
front view



Cabinet
rear view

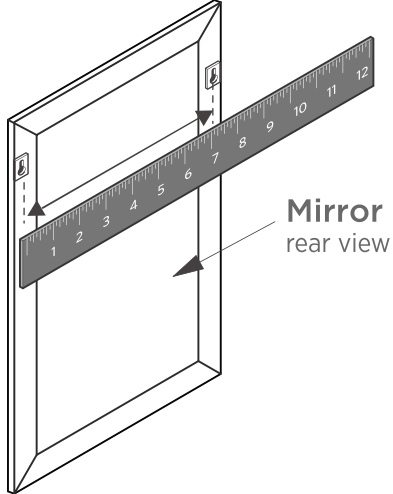
NOTE: ALL DIMENSIONS & SPECIFICATIONS ARE APPROXIMATE AND SUBJECT TO CHANGE WITHOUT NOTICE.

TOOLS FOR ASSEMBLY

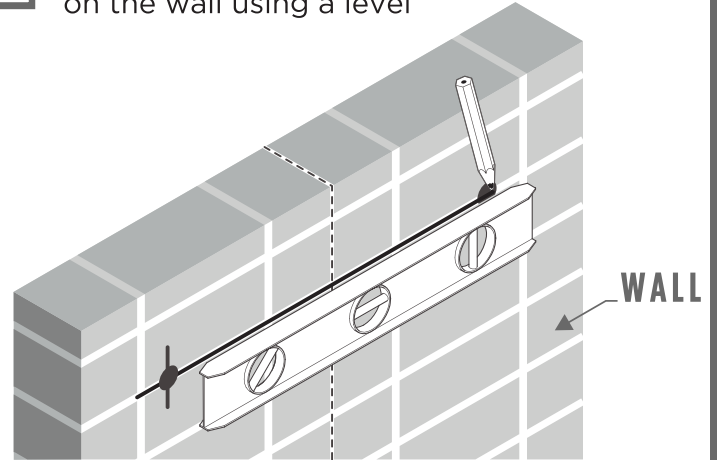


MIRROR INSTALLATION

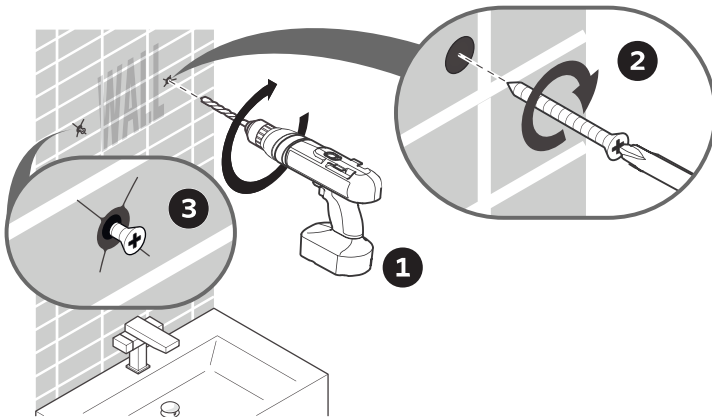
- 1** Measure the distance between the brackets on the back of the mirror



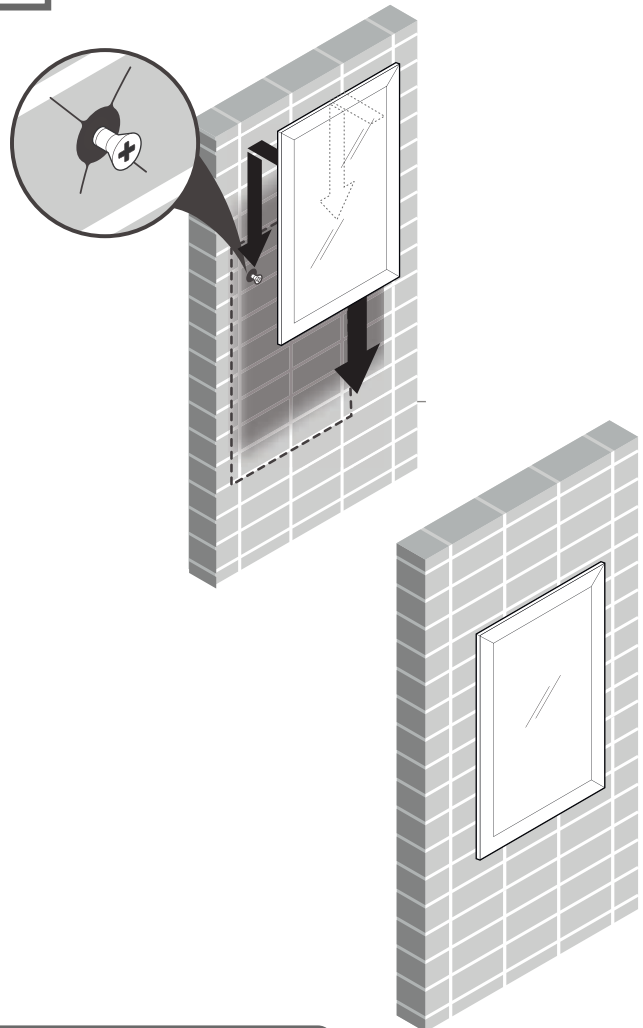
- 2** Mark the measured distance on the wall using a level



- 3** Once position is marked, drill 2 holes and insert anchors if stud is not available



- 4** Hang mirror on the wall



NOTE: Consult an expert for the proper screws/bolts to use when attaching to various constructions. Screws provided do not attach to all wall construction types.

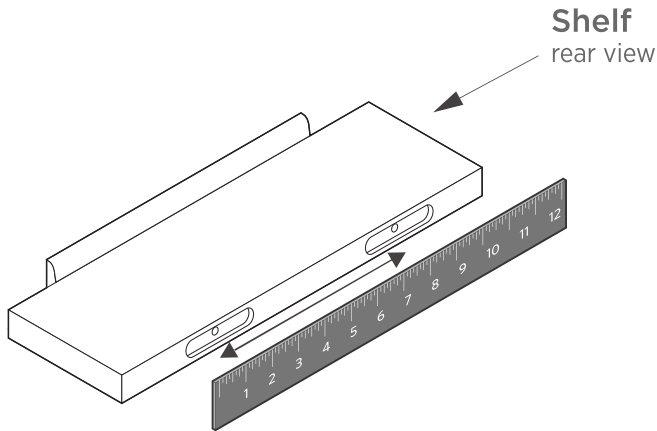
TOOLS FOR ASSEMBLY



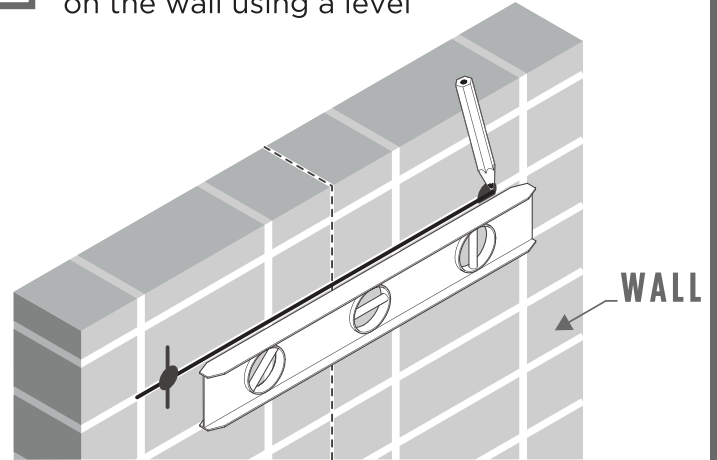
SHELF INSTALLATION

* **NOTE:** Only use anchors if stud (2"X4" frame) is not available.

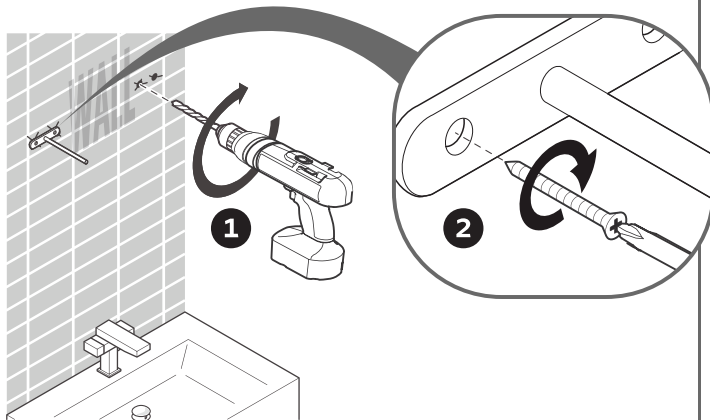
- 1** Measure the distance between the brackets on the back of the shelf



- 2** Mark the measured distance on the wall using a level

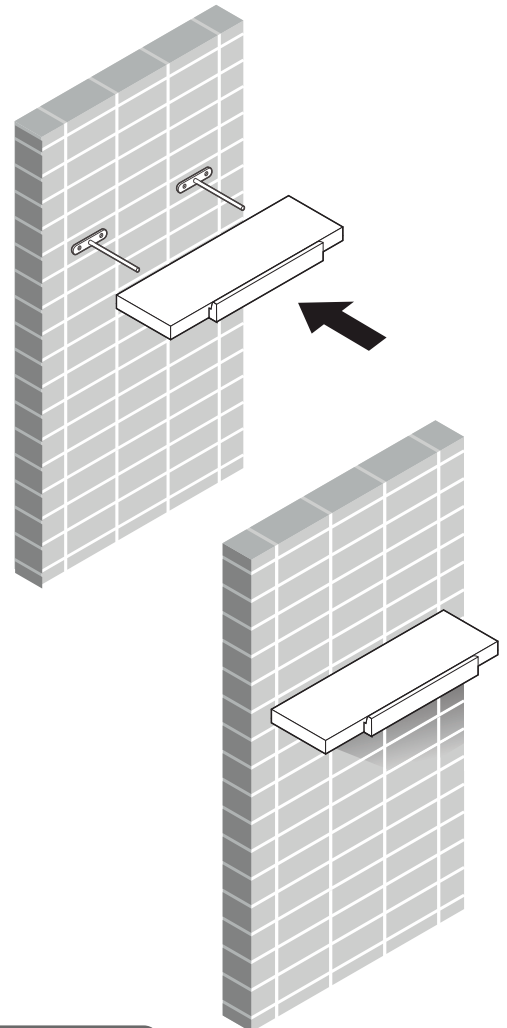


- 3** * Once position is marked, drill 4 holes and insert anchors if stud is not available



NOTE: Consult an expert for the proper screws/bolts to use when attaching to various constructions. Screws provided do not attach to all wall construction types.

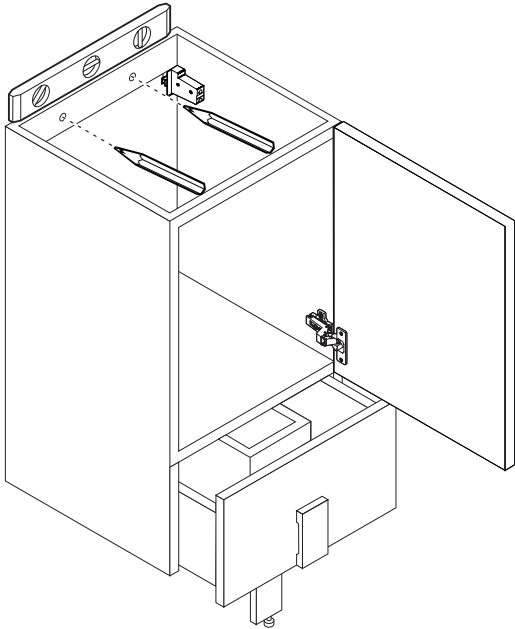
- 4** Hang shelf on the wall



CABINET INSTALLATION

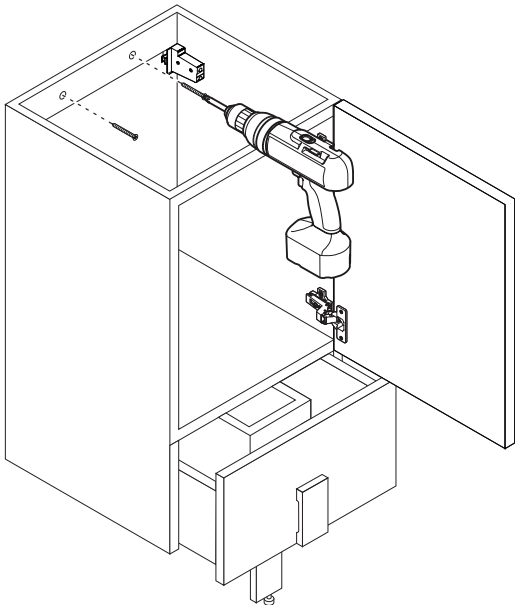
1

Place the cabinet at the desired location and use a level to make sure the cabinet is leveled. Mark the holes on the wall where the cabinet will be secured.



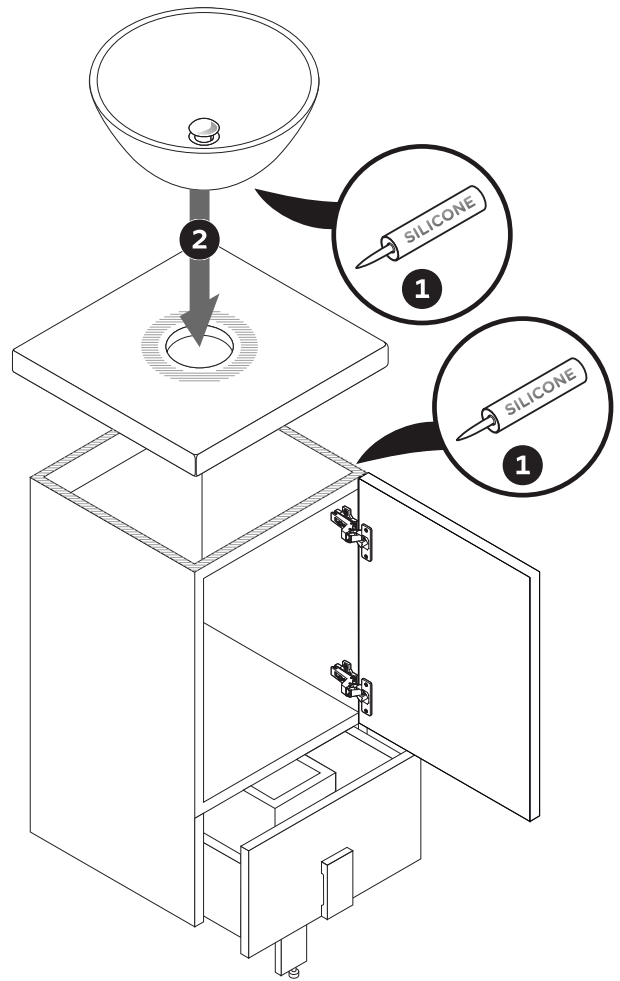
2

Attach cabinet to the wall with the screws using a drill.



3

Apply a bead of silicone on the top of the cabinet and place countertop on it. Apply silicone on the bottom of the sink and place the sink on the countertop.

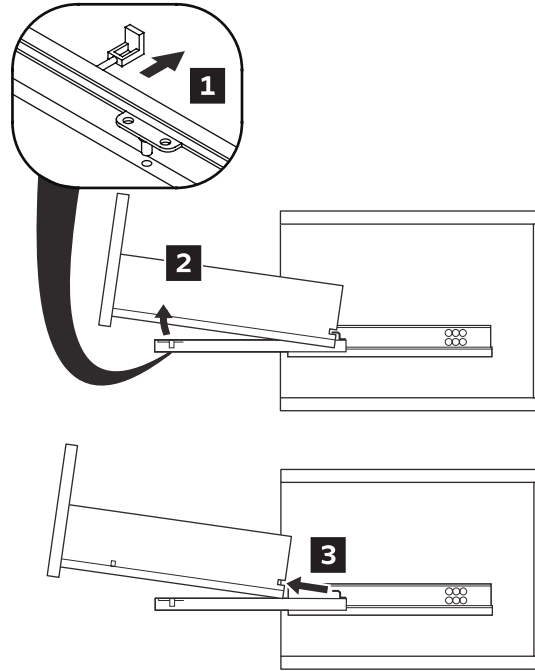


NOTE: Only use anchors if stud (2"X4" frame) is not available.

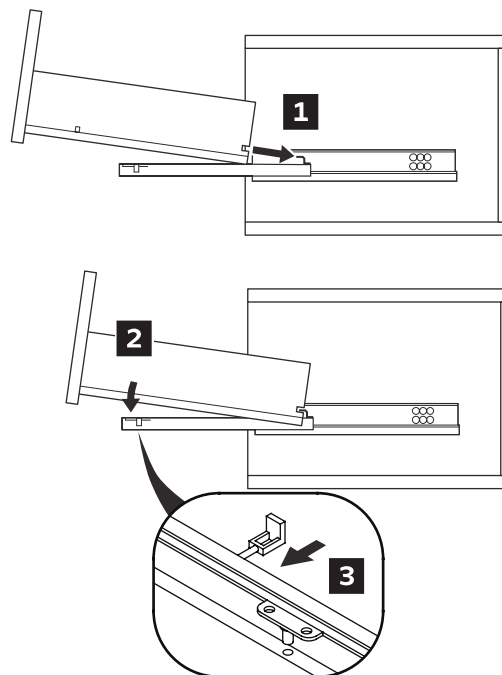
NOTE: Consult an expert for the proper screws/bolts to use when attaching to various constructions. Screws provided do not attach to all wall construction types.

SHELF REMOVAL AND INSTALLATION

REMOVAL



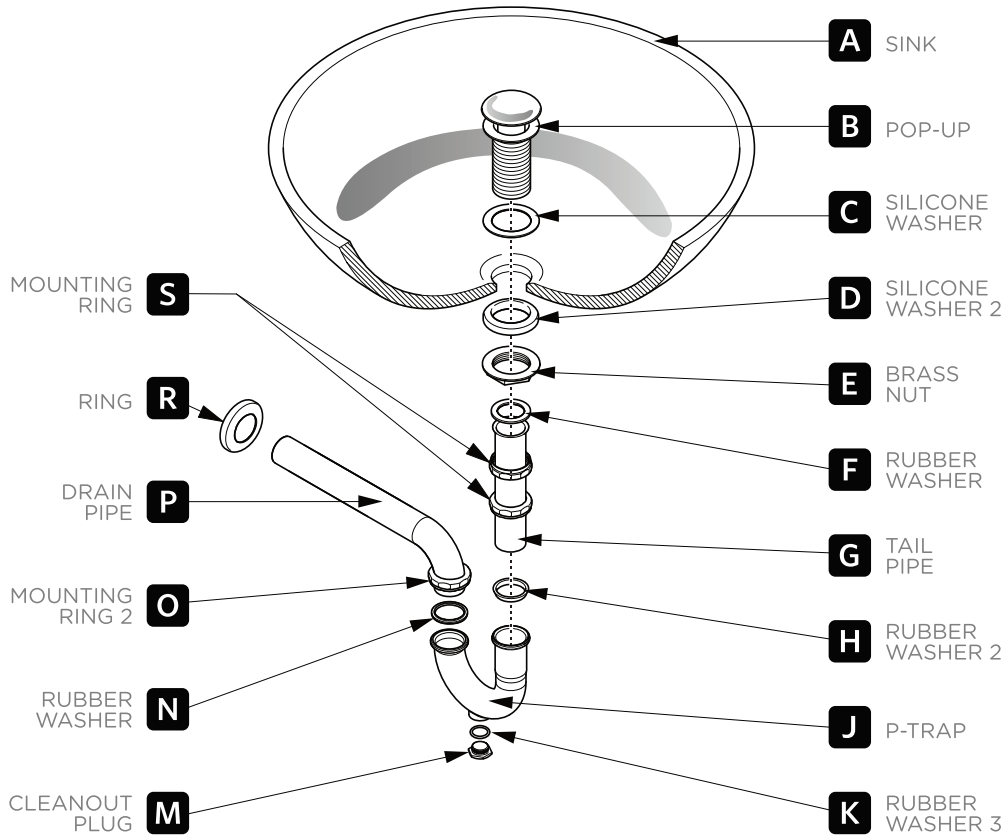
INSTALLATION



P-TRAP & POP-UP

INSTALLATION INSTRUCTIONS

Your item may appear slightly different from the illustration.



POP-UP INSTALLATION

FOR SINKS
WITHOUT OVERFLOW

