



Stella
COLLECTION

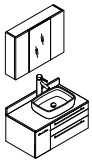
LUCERA

FVN6136-VSL-L

INSTALLATION GUIDE

CONTENTS:

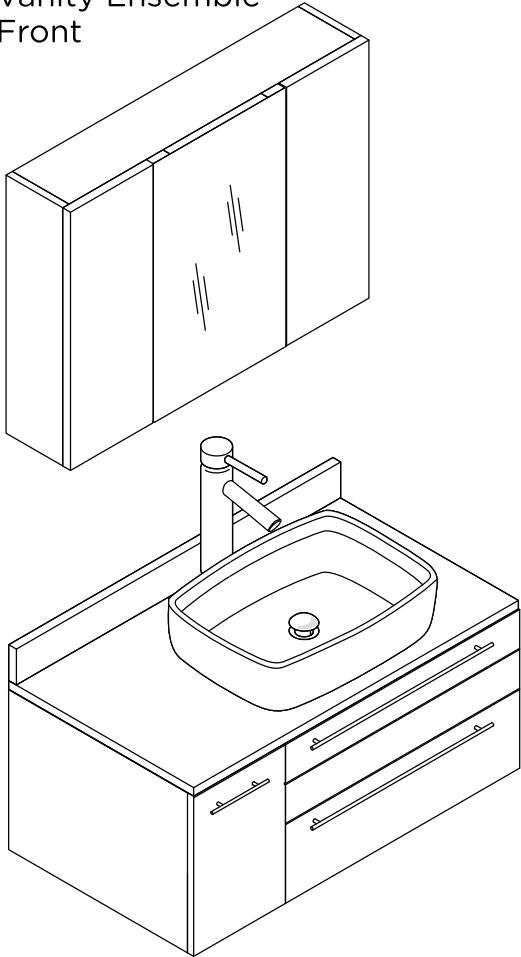
Medicine Cabinet.....	FMC6183.....	PAGE 2
Cabinet.....	FCB6136-VSL-L.....	PAGE 3
Sink.....	FVS6119WH.....	PAGE 4
Counter Top.....	FCT6136WH-VSL-L.....	PAGE 4



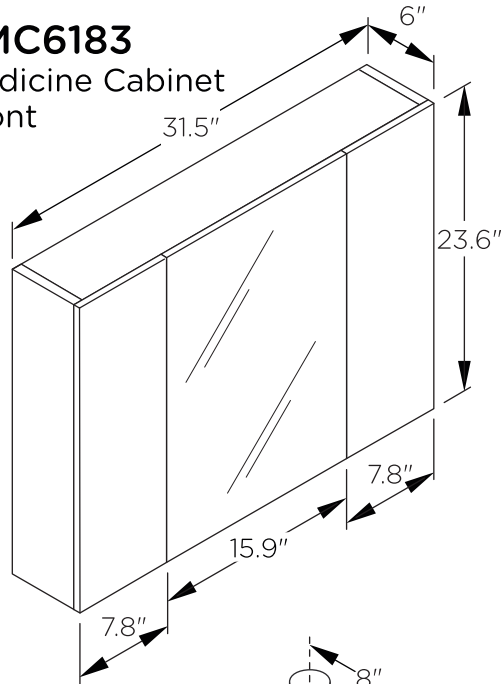
FVN6136-VSL-L LUCERA INSTALLATION GUIDE



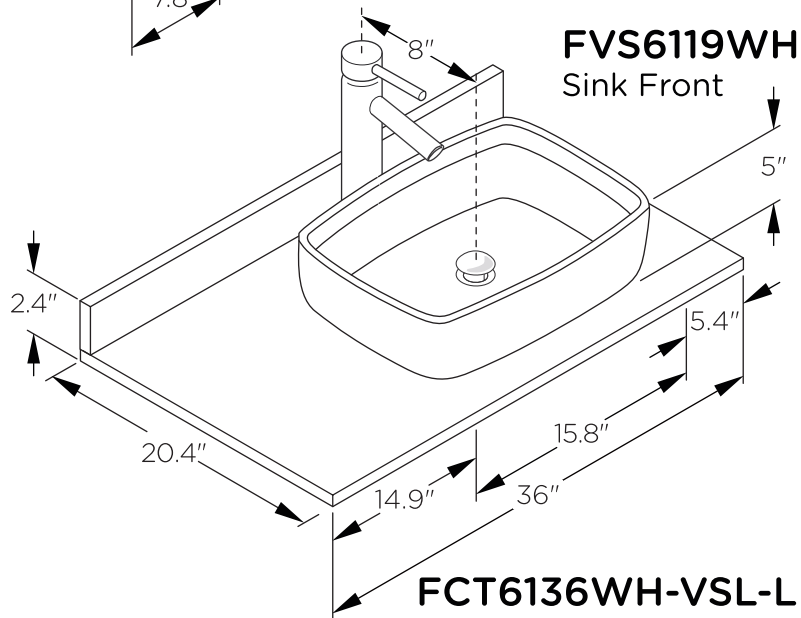
FVN6136-VSL-L
Vanity Ensemble
Front



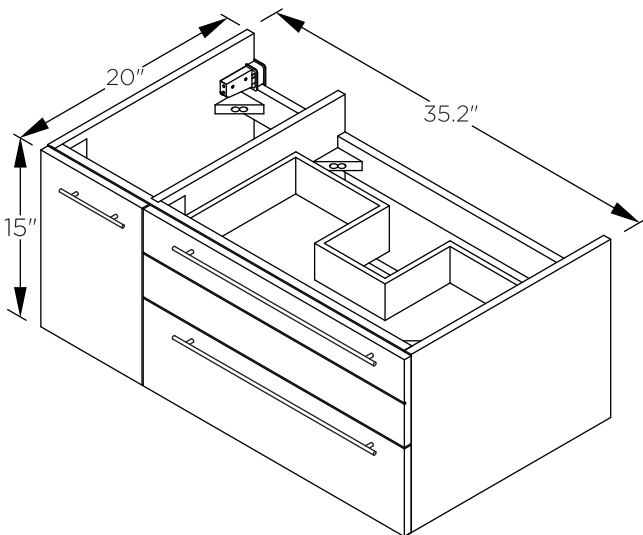
FMC6183
Medicine Cabinet
Front



FVS6119WH
Sink Front

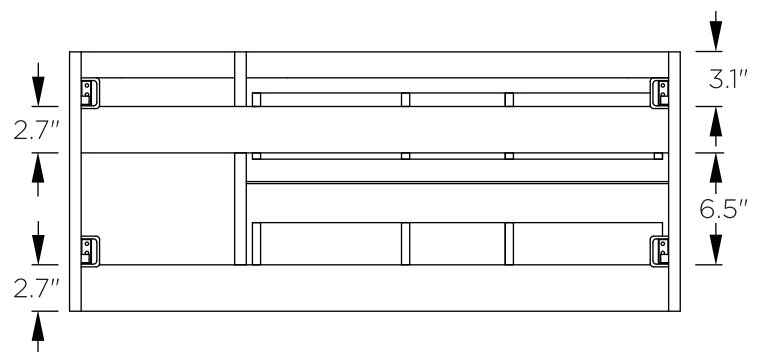


FCT6136WH-VSL-L
Counter Top Front



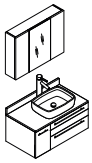
FCB6136-VSL-L
Cabinet Front

FCB6136-VSL-L
Cabinet Back



>All dimensions & specifications are approximate and subject to change without notice.

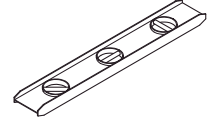
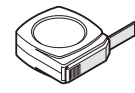
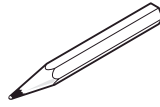
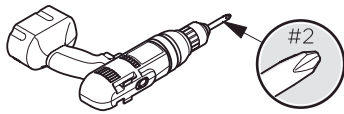




FVN6136-VSL-L LUCERA INSTALLATION GUIDE

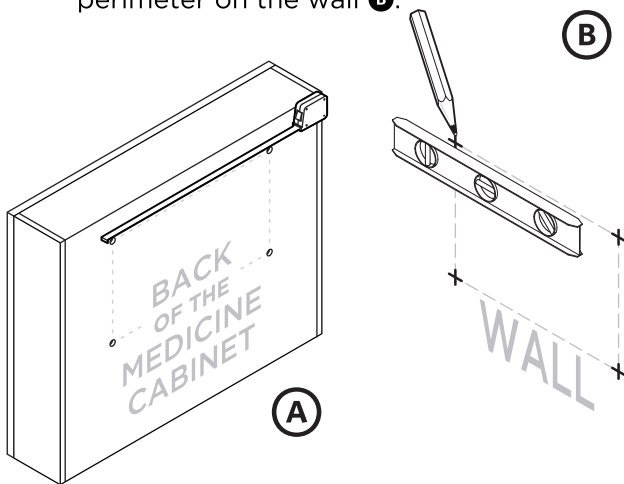


TOOLS FOR ASSEMBLY

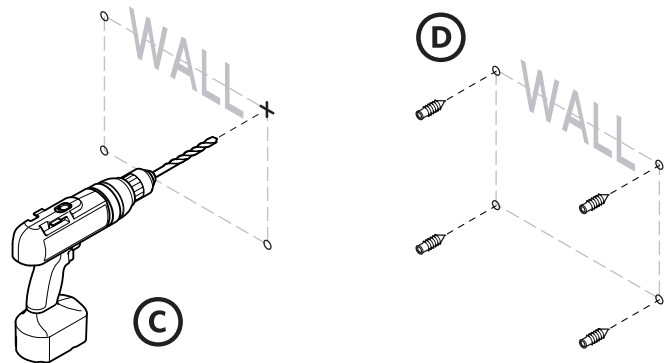


MEDICINE CABINET INSTALLATION

- 1** Measure distance between the mounting holes on the back of medicine cabinet **A** and mark the perimeter on the wall **B**.

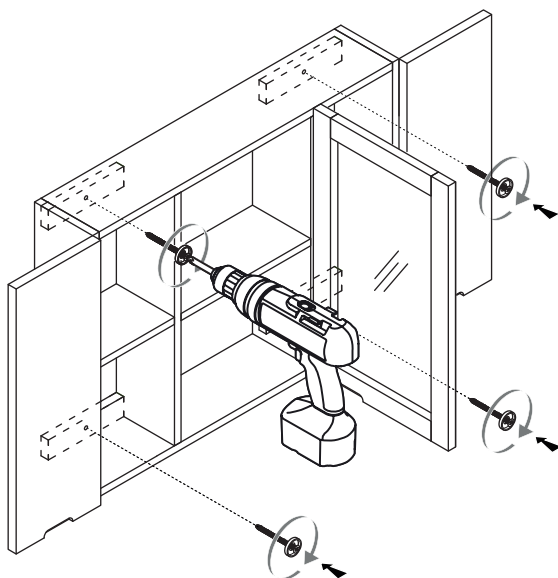


- 2** Once marked, drill the holes in the wall **C**.
*Insert the anchors in the holes **D**.

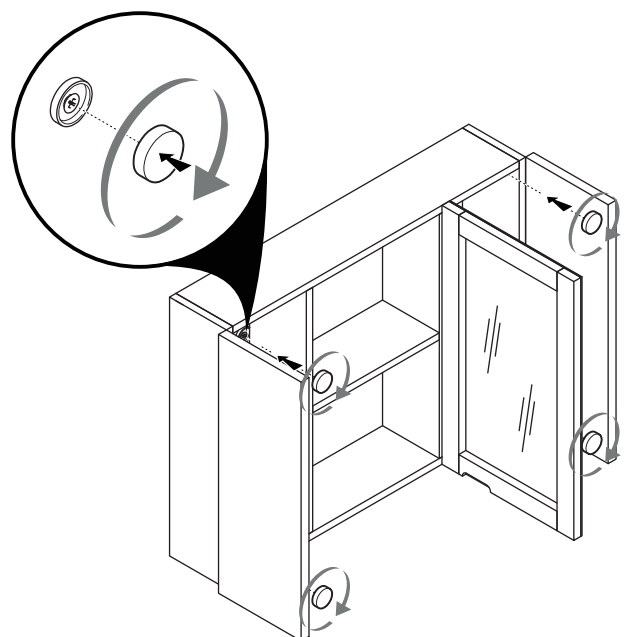


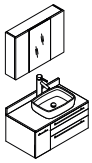
***IMPORTANT:** Consult an expert for the proper screws/bolts to use when attaching to various constructions. Screws provided do not attach to all wall construction types. Anchors are not required if brackets are installed in stud.

- 3** Connect medicine cabinet to the wall using a drill.



- 4** Cover the screws with the screw caps.



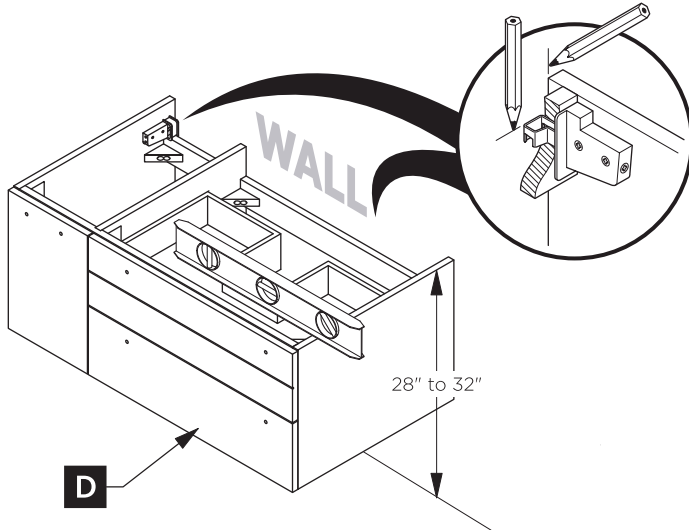


FVN6136-VSL-L LUCERA INSTALLATION GUIDE

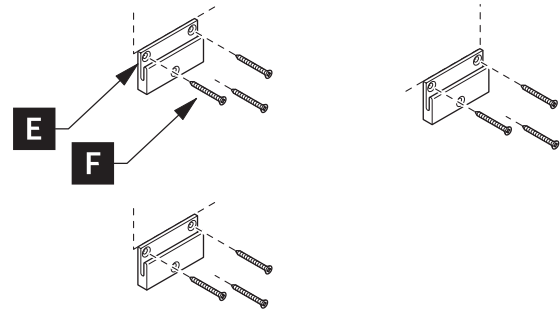
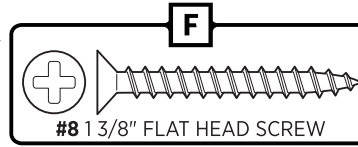


CABINET INSTALLATION

- 1** Place cabinet (D) in designated location and mark the bracket position on the wall.

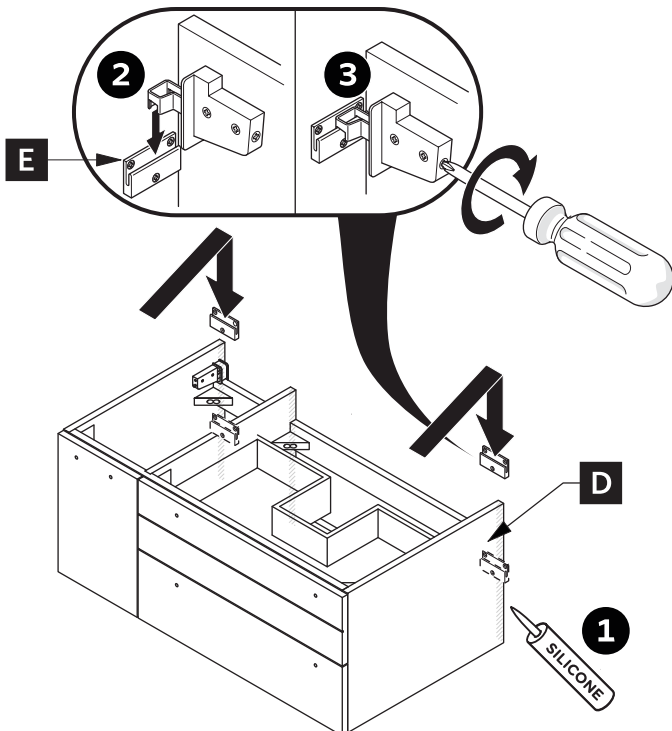


- 2** Attach wall brackets (E) to the wall with the screws (F).

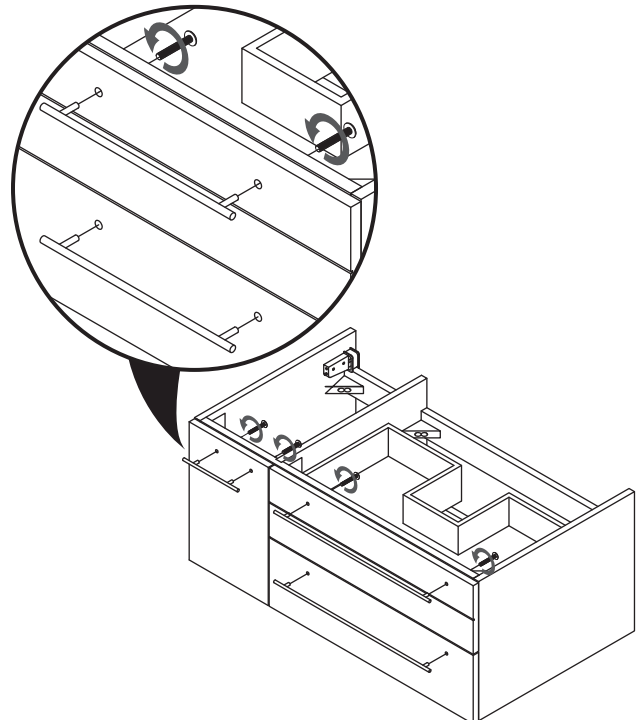


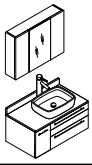
IMPORTANT: Consult an expert for the proper screws/bolts to use when attaching to various constructions. Screws provided do not attach to all wall construction types. Anchors are not required if brackets are installed in stud.

- 3** Apply a bid of silicone and hang the cabinet (D) on the brackets (E).



- 4** Attach the handles to cabinet.



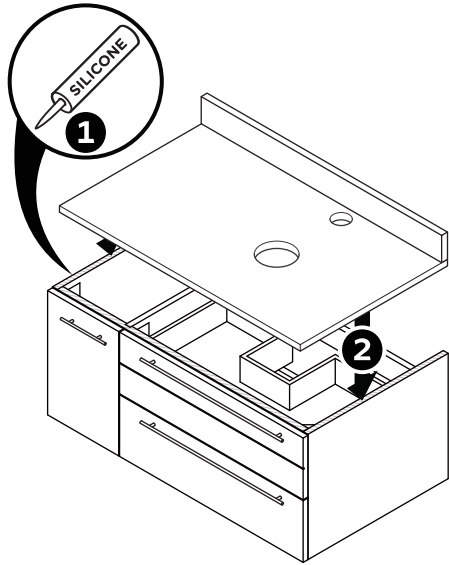


FVN6136-VSL-L LUCERA INSTALLATION GUIDE

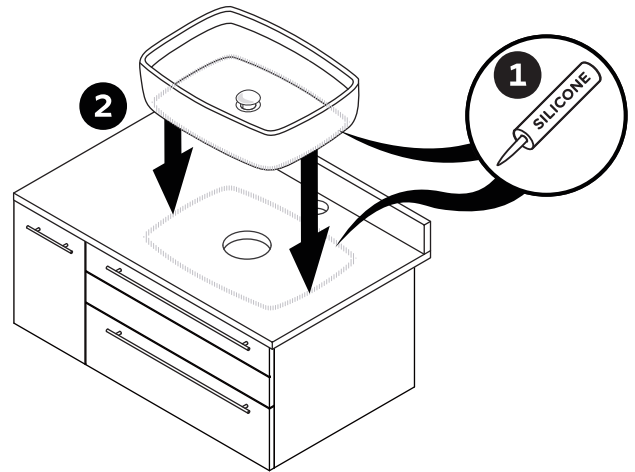


CABINET INSTALLATION

- 5** Apply a bead of silicone on top of the cabinet. Place counter top on the cabinet.

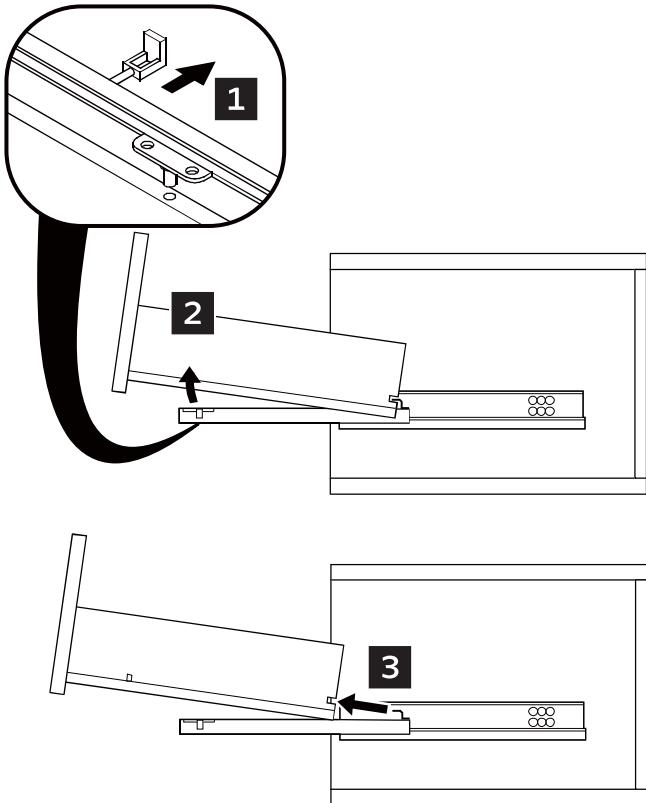


- 6** Apply a bead of silicone on top of a counter top and bottom of the sink. Connect sink to the counter top.

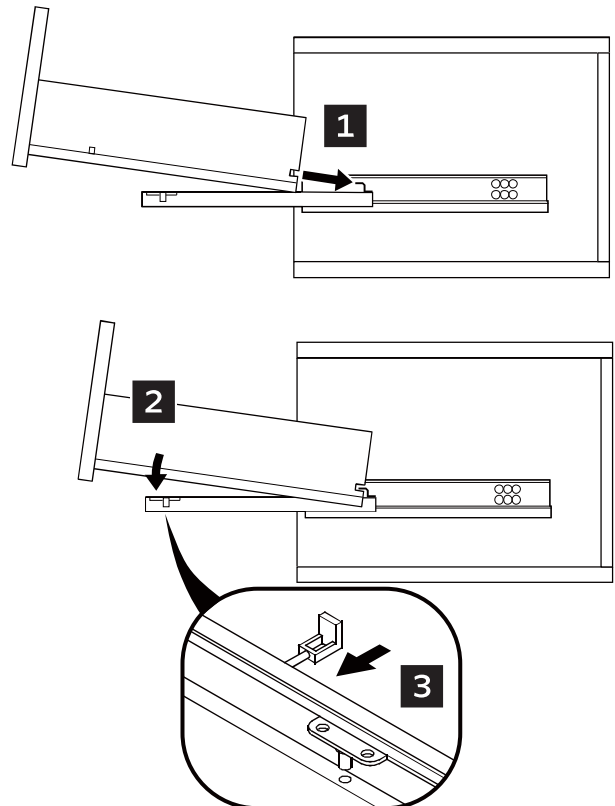


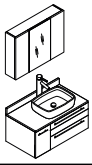
DRAWER REMOVAL & INSTALLATION

DRAWER REMOVAL



DRAWER INSTALLATION





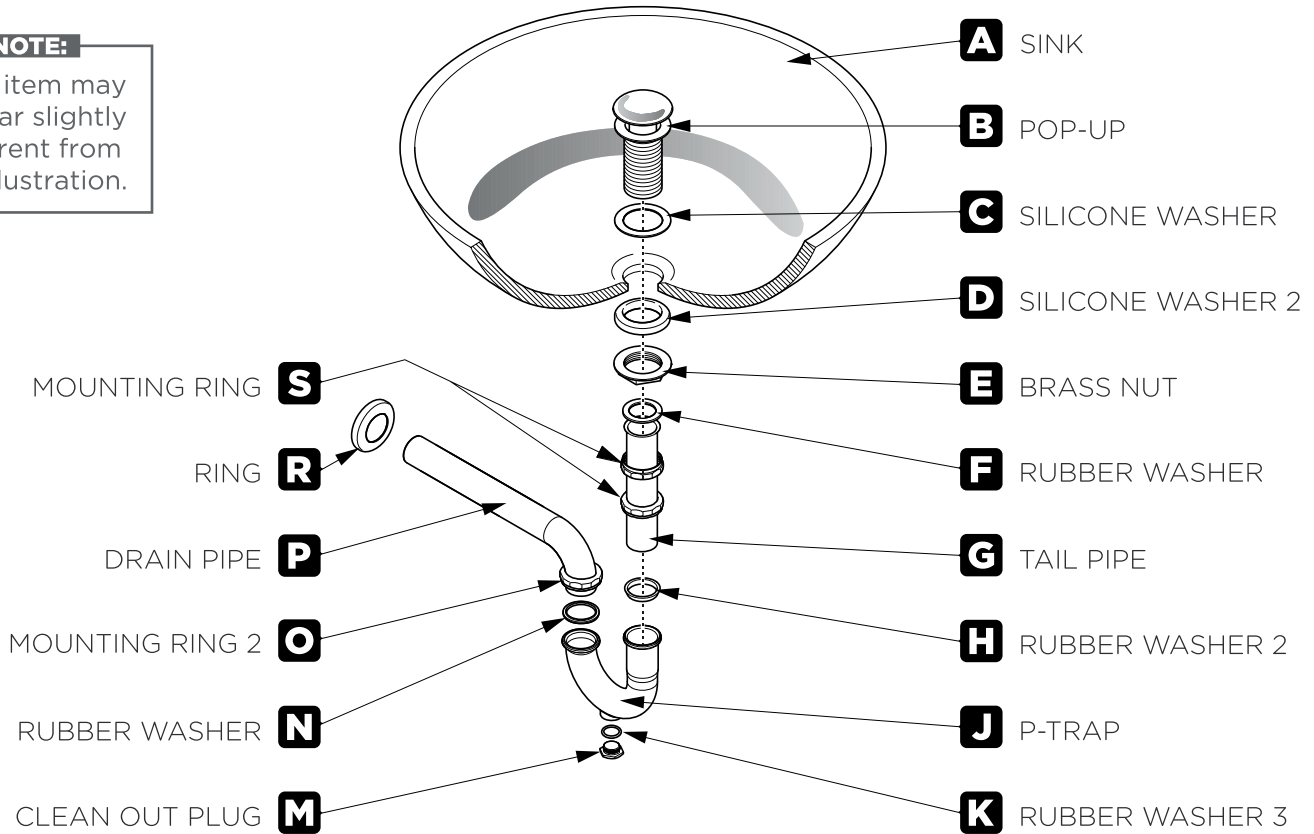
FVN6136-VSL-L LUCERA INSTALLATION GUIDE



P-TRAP AND POP-UP INSTALLATION INSTRUCTIONS

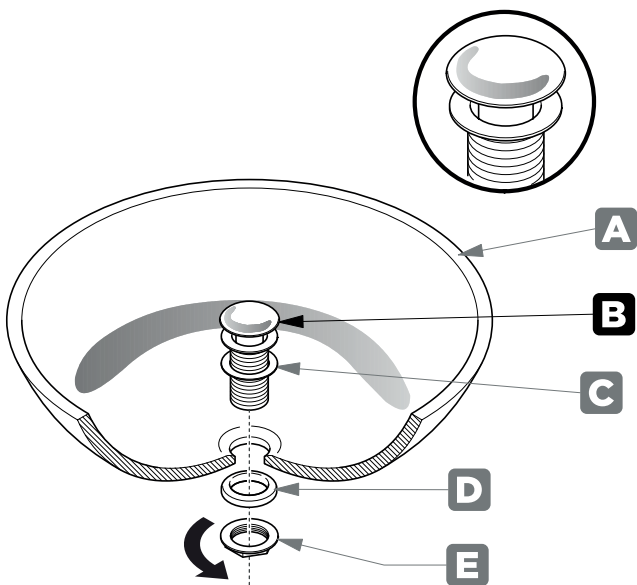
NOTE:

Your item may appear slightly different from the illustration.



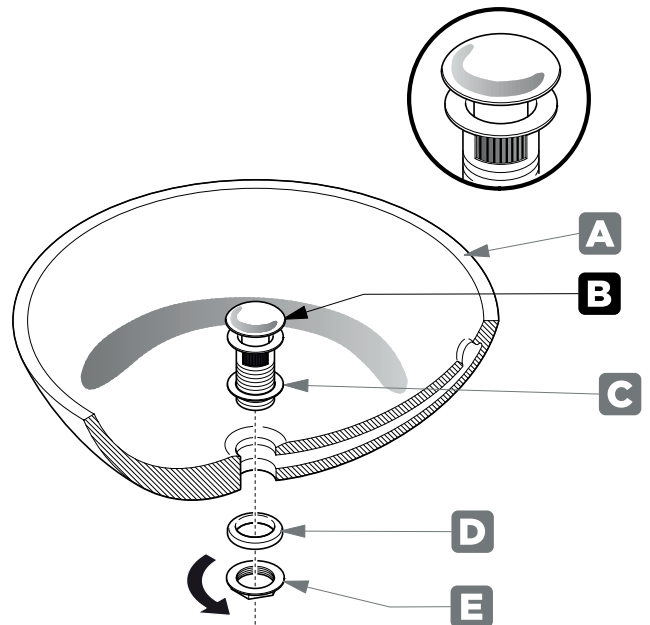
POP-UP INSTALLATION INSTRUCTIONS

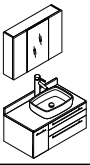
**FOR SINKS
WITHOUT OVERFLOW**



OR

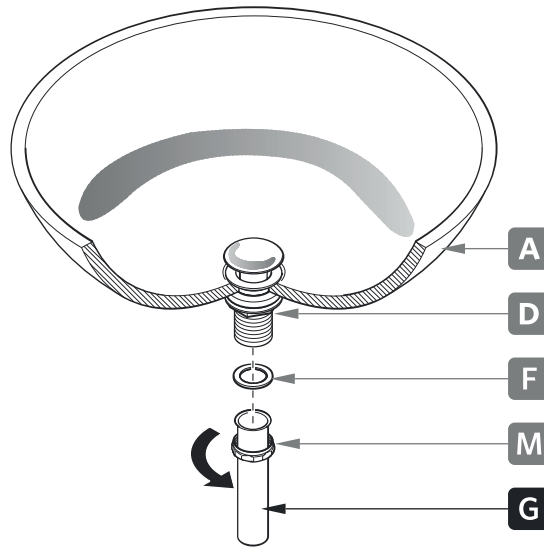
**FOR SINKS
WITH OVERFLOW**





P-TRAP INSTALLATION

1 Install a tail pipe (G).



2 Connect a P-trap (J).

